



# Air Cooled Condensing Units

50 Hz  
R404A/R407C/R134a

Hubbard Commercial - Hillview - Otley - Ipswich - Suffolk - IP6 9NP

Tel: +44 (0)1473 892289 Fax: +44 (0)1473 892345

Internet: <http://www.hubbard.co.uk>

e-mail: [commercial@hubbard.co.uk](mailto:commercial@hubbard.co.uk)

S.A.01.FEB 2005

TECHNICAL DATA									
Condensing Unit Models	Application			Compressor Data			Condenser Fan Data		
	R404A	R134a	R407C	Motor Data		Disp'l m3/Hr	No	Volts/ Phase	Total Air Flow m3/Hr
				HP	kW				
SA 0.5-4A 1-PHASE	✓	✓	✓	1/2	0.37	3.95	1	230/1	1700
SA 0.5-4A	✓	✓	✓	1/2	0.37	3.95	1	230/1	1700
SA 0.5-5A 1-PHASE	✓	✓		1/2	0.37	4.93	1	230/1	1700
SA 0.5-5A	✓	✓		1/2	0.37	4.93	1	230/1	1700
SA 0.7-5A 1-PHASE	✓	✓	✓	3/4	0.5	4.93	1	230/1	2500
SA 0.7-5A	✓	✓	✓	3/4	0.5	4.93	1	230/1	2500
SA 0.7-6A 1-PHASE	✓	✓		3/4	0.5	5.47	1	230/1	1700
SA 0.7-6A	✓	✓		3/4	0.5	5.47	1	230/1	1700
SA 1-6A 1-PHASE	✓	✓	✓	1	0.75	5.47	1	230/1	2500
SA 1-6A	✓	✓	✓	1	0.75	5.47	1	230/1	2500
SA 1-7A 1-PHASE	✓	✓		1	0.75	6.91	1	230/1	2500
SA 1-7A	✓	✓		1	0.75	6.91	1	230/1	2500
SA 1.5-7A 1-PHASE	✓	✓	✓	1 1/2	1.1	6.91	1	230/1	2750
SA 1.5-7A	✓	✓	✓	1 1/2	1.1	6.91	1	230/1	2750
SA 1.5-9B 1-PHASE	✓	✓		1 1/2	1.1	8.96	1	230/1	2500
SA 1.5-9B	✓	✓		1 1/2	1.1	8.96	1	230/1	2500
SA 2-10B 1-PHASE	✓	✓	✓	2	1.5	9.84	1	230/1	2750
SA 2-10B	✓	✓	✓	2	1.5	9.84	1	230/1	2750
SA 2-10B/2 1-PH	✓	✓	✓	2	1.5	9.84	2	230/1	4500
SA 2-10B/2	✓	✓	✓	2	1.5	9.84	2	230/1	4500
SA 2-11D	✓	✓	✓	2	1.5	11.26	1	230/1	2750
SA 2-11D/2	✓	✓	✓	2	1.5	11.26	2	230/1	4500
SA 2-13D	✓	✓		2	1.5	13.84	1	230/1	2750
SA 2-13D/2	✓	✓		2	1.5	13.84	2	230/1	4500
SA 3-13D	✓	✓	✓	3	2.2	13.84	1	230/1	2750
SA 3 13D/2	✓	✓	✓	3	2.2	13.84	2	230/1	4500
SA 2-15D	✓	✓		2	1.5	15.36	1	230/1	2750
SA 3-15D	✓	✓	✓	2	1.5	15.36	2	230/1	2750
SA 3-18D	✓	✓		3	2.2	17.93	1	230/1	2750
SA 3-18D/2	✓	✓		3	2.2	17.93	1	230/1	4500
SA 4-16D/2	✓	✓	✓	3	2.2	16.39	2	230/1	5500
SA 4-18D/2	✓	✓	✓	4	3	17.93	2	230/1	5500
SA 4-16F/2	✓	✓	4	4	3	16.39	2	230/1	5500
SA 4-19F/2	✓	✓	✓	4	3	19.12	2	230/1	5500
SA 4-24F/2	✓	✓		4	3	23.6	2	230/1	5500
SA 5-19F/2	✓	✓	✓	4	3	19.12	2	400/3	11400
SA 5-25F/2	✓	✓		5	3.7	25.21	2	230/1	5500
SA 7-25Q/2	✓	✓		7 1/2	5.5	24.69	2	400/3	11400
SA 5-28Q/2	✓	✓		5	3.7	27.88	2	230/1	5500
SA 7-28Q/2	✓	✓	✓	7 1/2	5.5	27.88	2	400/3	11400
SA 5-33S/2	✓	✓		5	3.7	32.8	2	230/1	5500
SA 7-33S/2	✓	✓	✓	7 1/2	5.5	32.8	2	400/3	10400
SA 7-39S/2	✓	✓		7 1/2	5.5	38.25	2	400/3	11400
SA10-39S/2	✓	✓	✓	10	7.5	38.25	2	400/3	17400
SA10-51S/2	✓	✓		10	7.5	50.43	2	400/3	11400
SA15-51S/2 PWS	✓	✓	✓	15	11	50.43	2	400/3	17400
SA15-56S/2 PWS	✓	✓		15	11	56.00	2	400/3	17400
SA20-56S/2 PWS	✓	✓	✓	20	15	56.00	2	400/3	16400
SA20-59V/2 PWS	✓	✓	✓	20	15	58.48	2	400/3	16400
SA15-71V/2 PWS	✓	✓		15	11	70.77	2	400/3	10400
SA25-71V/2 PWS	✓	✓	✓	25	18.5	70.77	2	400/3	16400
SA20-84V/2 PWS	✓	✓		20	15	83.81	2	400/3	17400
SA30-84V/2 PWS	✓	✓	✓	30	22	83.81	2	400/3	18000
SA25-106Z/2 PWS	✓	✓	✓	25	18.5	106.10	2	400/3	18000
SA30-126Z/2 PWS	✓	✓		30	22	125.70	2	400/3	18000

TECHNICAL DATA										
Condensing Unit Models	Service Valves			Electrical Data					Liquid Receiver dm3	Gross Weight Kg
	Sweat Connections			Condenser Fans (Total)		Compressor		Unit		
	Suction	Discharge	Liquid	FLA-1 ph	FLA-3 ph	FLA	LRA	Total FLA		
SA 0.5-4A 1-PHASE	5/8"	1/2"	1/2"	0.3	-	5.5	35.9	5.8	2.4	53
SA 0.5-4A	5/8"	1/2"	1/2"	0.3	-	2.8	11.6	3.1	2.4	52
SA 0.5-5A 1-PHASE	5/8"	1/2"	1/2"	0.3	-	5.5	35.9	5.8	2.4	53
SA 0.5-5A	5/8"	1/2"	1/2"	0.3	-	2.8	11.6	3.1	2.4	52
SA 0.7-5A 1-PHASE	5/8"	1/2"	1/2"	0.62	-	5.5	35.9	6.12	2.4	63
SA 0.7-5A	5/8"	1/2"	1/2"	0.62	-	2.8	11.6	3.42	2.4	62
SA 0.7-6A 1-PHASE	5/8"	1/2"	1/2"	0.3	-	5.5	35.9	5.8	2.4	53
SA 0.7-6A	5/8"	1/2"	1/2"	0.3	-	2.8	11.6	3.1	2.4	52
SA 1-6A 1-PHASE	5/8"	1/2"	1/2"	0.62	-	7.6	40.1	8.22	2.4	63
SA 1-6A	5/8"	1/2"	1/2"	0.62	-	3.5	14.5	4.12	2.4	62
SA 1-7A 1-PHASE	5/8"	1/2"	1/2"	0.62	-	7.6	40.1	8.22	2.4	63
SA 1-7A	5/8"	1/2"	1/2"	0.62	-	3.5	14.5	4.12	2.4	62
SA 1.5-7A 1-PHASE	5/8"	1/2"	1/2"	0.69	-	10.6	50.3	11.29	5.7	71
SA 1.5-7A	5/8"	1/2"	1/2"	0.69	-	5.3	19.7	5.99	5.7	70
SA 1.5-9B 1-PHASE	5/8"	1/2"	1/2"	0.62	-	10.6	50.3	11.22	2.4	63
SA 1.5-9B	5/8"	1/2"	1/2"	0.62	-	5.3	19.7	5.92	2.4	62
SA 2-10B 1-PHASE	3/4"	5/8"	1/2"	0.69	-	13	65.6	13.69	5.7	73
SA 2-10B	3/4"	5/8"	1/2"	0.69	-	5.7	21.7	6.39	5.7	72
SA 2-10B/2 1-PH	3/4"	5/8"	1/2"	1.24	-	13	65.6	14.24	5.7	89
SA 2-10B/2	3/4"	5/8"	1/2"	1.24	-	5.7	21.7	6.94	5.7	88
SA 2-11D	7/8"	5/8"	1/2"	0.69	-	6.8	24.9	7.49	5.7	80
SA 2-11D/2	7/8"	5/8"	1/2"	1.24	-	6.8	24.9	8.04	5.7	93
SA 2-13D	7/8"	5/8"	1/2"	0.69	-	6.8	24.9	7.49	5.7	80
SA 2-13D/2	7/8"	5/8"	1/2"	1.24	-	6.8	24.9	8.04	5.7	93
SA 3-13D	1 1/8"	5/8"	1/2"	0.69	-	9.6	32.9	10.29	5.7	82
SA 3-13D/2	1 1/8"	5/8"	5/8"	1.24	-	9.6	32.9	10.84	5.7	102
SA 2-15D	7/8"	5/8"	1/2"	0.69	-	6.8	24.9	7.49	5.7	80
SA 3-15D	1 1/8"	5/8"	1/2"	0.69	-	9.6	32.9	10.29	5.7	82
SA 3-18D	1 1/8"	5/8"	1/2"	0.69	-	9.6	32.9	10.29	5.7	82
SA 3-18D/2	1 1/8"	5/8"	1/2"	1.24	-	9.6	32.9	10.84	5.7	94
SA 4-16D/2	1 1/8"	3/4"	1/2"	1.38	-	10.5	41.9	11.88	7	106
SA 4-18D/2	1 1/8"	3/4"	1/2"	1.38	-	10.5	41.9	11.88	7	108
SA 4-16F/2	1 1/8"	3/4"	5/8"	1.38	-	10.9	49.5	12.28	7	132
SA 4-19F/2	1 1/8"	3/4"	5/8"	1.38	-	10.9	49.5	12.28	7	132
SA 4-24F/2	1 1/8"	3/4"	5/8"	1.38	-	10.9	49.5	12.28	7	131
SA 5-19F/2	1 1/8"	3/4"	3/4"	-	2.3	12.2	56.9	14.5	12	152
SA 5-25F/2	1 1/8"	7/8"	5/8"	1.38	-	12.2	56.9	13.58	7	134
SA 7-25Q/2	1 3/8"	1 1/8"	3/4"	-	2.3	18.8	91.4	21.1	12	155
SA 5-28Q/2	1 3/8"	7/8"	5/8"	1.38	-	12.2	56.9	13.58	7	137
SA 7-28Q/2	1 3/8"	1 1/8"	3/4"	-	2.3	18.8	91.4	21.1	12	155
SA 5-33S/2	1 3/8"	1 1/8"	3/4"	1.38	-	12.3	55.8	13.68	7	188
SA 7-33S/2	1 3/8"	1 1/8"	3/4"	-	2.3	17.3	74.6	19.6	12	211
SA 7-39S/2	1 3/8"	1 1/8"	3/4"	-	2.3	17.3	74.6	19.6	12	205
SA10-39S/2	1 3/8"	1 1/8"	7/8"	-	2.7	22.1	86.1	24.8	19	241
SA10-51S/2	1 3/8"	1 1/8"	3/4"	-	2.3	22.1	86.1	24.4	12	214
SA15-51S/2 PWS	1 5/8"	1 1/8"	7/8"	-	2.7	32	68.1	34.7	19	248
SA15-56S/2 PWS	1 5/8"	1 1/8"	7/8"	-	2.7	32	68.1	34.7	19	252
SA20-56S/2 PWS	1 5/8"	1 1/8"	7/8"	-	2.7	40.7	84.6	43.4	19	261
SA20-59V/2 PWS	1 5/8"	1 1/8"	7/8"	-	2.7	40.7	84.6	43.4	19	279
SA15-71V/2 PWS	1 5/8"	1 1/8"	3/4"	-	2.3	32	68.1	34.3	12	275
SA25-71V/2 PWS	2 1/8"	1 3/8"	7/8"	-	2.7	51	99.3	53.7	19	310
SA20-84V/2 PWS	1 5/8"	1 1/8"	7/8"	-	2.7	40.7	84.6	43.4	19	276
SA30-84V/2 PWS	2 1/8"	1 3/8"	7/8"	-	2.8	58.2	122.1	61	19	293
SA25-106Z/2 PWS	2 1/8"	1 3/8"	7/8"	-	2.8	51	99.3	53.8	19	334
SA30-126Z/2 PWS	2 1/8"	1 3/8"	7/8"	-	2.8	58.2	122.1	61	19	340

R404A Refrigeration capacity in Watts/50Hz supply												
Condensing Unit Models	Ambient Temp Deg C	Evaporating Temperature Deg C										
		H			M			L				
		10	5	0	-5	-10	-15	-20	-25	-30	-35	-40
SA 0.5-4A-Y	27	-	3180	2790	2430	2090	1760	1460	1180	940	730	540
	32	-	2880	2530	2210	1910	1610	1340	1070	850	650	470
	38	-	-	-	1950	1690	1420	1180	940	740	550	390
SA 0.5-5A-Y	27	-	-	-	2770	2420	2060	1720	1410	1120	870	650
	32	-	-	-	2520	2190	1870	1570	1280	1010	770	570
	38	-	-	-	-	-	1650	1380	1110	880	660	470
SA 0.7-5A-Y	27	-	-	3690	3170	2700	2270	1860	1500	1200	920	690
	32	-	-	3380	2910	2480	2080	1700	1370	1080	820	600
	38	-	-	-	2580	2210	1840	1510	1210	940	700	500
SA 0.7-6A-Y	27	-	-	-	-	2580	2210	1860	1530	1230	950	710
	32	-	-	-	-	2330	2010	1690	1380	1100	840	620
	38	-	-	-	-	-	1760	1480	1210	950	710	510
SA 1-6A-Y	27	-	4590	3990	3440	2940	2470	2030	1650	1310	1010	750
	32	-	4200	3670	3150	2700	2260	1860	1500	1180	900	660
	38	-	-	3240	2800	2400	2010	1640	1320	1030	770	550
SA 1-7A-Y	27	-	-	-	-	3500	2960	2460	2010	1600	1240	930
	32	-	-	-	-	3180	2700	2250	1820	1440	1100	810
	38	-	-	-	-	2800	2370	1980	1590	1250	940	670
SA 1.5-7A-Y	27	-	6280	5420	4640	3920	3250	2680	2160	1710	1310	980
	32	-	5760	4990	4270	3620	3000	2450	1970	1540	1170	860
	38	-	5130	4460	3820	3220	2680	2180	1740	1350	1000	710
SA 1.5-9B-Y	27	-	-	5520	4860	4220	3590	3010	2490	2010	1560	1170
	32	-	-	-	4420	3830	3270	2740	2250	1810	1380	1030
	38	-	-	-	-	-	2860	2390	1960	1550	1180	850
SA 2-10B-Y	27	-	8210	7180	6210	5340	4490	3730	3030	2420	1880	-
	32	-	-	6540	5670	4870	4110	3410	2750	2190	1680	-
	38	-	-	-	4980	4290	3620	3000	2410	1900	1440	-
SA 2-10B/2-Y	27	-	9000	7790	6670	5650	4740	3890	3150	2510	1940	-
	32	-	8240	7140	6130	5200	4340	3560	2870	2270	1740	-
	38	-	-	6340	5450	4640	3850	3160	2520	1990	1500	-
SA 2-11D-Y	27	-	-	7600	6610	5710	4830	4030	3300	2630	2040	1540
	32	-	-	6910	6010	5200	4420	3680	2970	2370	1830	1350
	38	-	-	-	-	4590	3900	3240	2610	2070	1560	1120
SA 2-11D/2-Y	27	-	9820	8520	7290	6200	5200	4270	3460	2760	2130	1590
	32	-	9020	7840	6700	5710	4780	3920	3150	2500	1910	1400
	38	-	-	6960	5980	5080	4240	3480	2790	2180	1640	1170
SA 2-13D-Y	27	-	-	-	-	6530	5590	4710	3870	3140	2450	1860
	32	-	-	-	-	5930	5080	4290	3520	2820	2190	1640
	38	-	-	-	-	-	4460	3760	3080	2450	1880	1370
SA 2-13D/2-Y	27	-	-	-	8480	7250	6110	5080	4110	3300	2570	1950
	32	-	-	-	-	6640	5600	4650	3760	2990	2310	1720
	38	-	-	-	-	5880	4960	4090	3320	2620	1990	1450
SA 3-13D-Y	27	-	9640	8570	7510	6510	5560	4660	3830	3090	-	-
	32	-	-	-	6810	5910	5050	4240	3840	2770	-	-
	38	-	-	-	-	-	4440	3720	3040	2400	-	-
SA 3-13D/2-Y	27	-	11280	9810	8450	7210	6060	5030	4080	3250	-	-
	32	-	10290	9000	7730	6610	5560	4610	3710	2940	-	-
	38	-	-	-	6880	5860	4950	4060	3270	2570	-	-
SA 2-15D-Y	27	-	-	-	-	-	6060	5160	4310	3530	2810	2190
	32	-	-	-	-	-	-	4690	3920	3210	2540	1960
	38	-	-	-	-	-	-	4120	3440	2810	2210	1690
SA 2-15D/2-Y	27	-	-	-	-	-	6570	5520	4560	3690	2930	2270
	32	-	-	-	-	-	6010	5060	4180	3360	2650	2040
	38	-	-	-	-	-	-	4470	3690	2980	2320	1760
SA 3-15D-Y	27	-	-	9110	8060	7020	6020	5090	4210	3420	2690	2070
	32	-	-	-	7340	6370	5460	4620	3820	3100	2410	1830
	38	-	-	-	-	-	-	4050	3340	2690	2070	1550
SA 3-18D-Y	27	-	-	-	-	7880	6840	5850	4920	4060	3260	2540
	32	-	-	-	-	-	6210	5300	4470	3690	2950	2280
	38	-	-	-	-	-	-	-	3920	3220	2570	1970
SA 3-18D/2-Y	27	-	-	-	10400	8990	7660	6440	5330	4340	3450	2680
	32	-	-	-	9490	8250	7050	5930	4890	3960	3130	2420
	38	-	-	-	-	7290	6240	5250	4340	3490	2750	2090
SA 4-16D/2-Y	27	-	13760	12010	10340	8860	7490	6270	5120	4140	-	-
	32	-	12580	11010	9540	8190	6910	5750	4700	3780	-	-
	38	-	-	9790	8500	7310	6200	5140	4200	3370	-	-
SA 4-18D/2-Y	27	-	14610	12780	11090	9520	8050	6740	5510	4470	-	-
	32	-	-	11720	10160	8740	7410	6200	5060	4090	-	-
	38	-	-	-	9060	7770	6580	5520	4490	3630	-	-

CONDENSING UNIT CAPACITIES ARE PUBLISHED, ASSUMING +20 C SUCTION RETURN GAS TEMPERATURE, NO LIQUID SUB COOLING.

R404A Refrigeration capacity in Watts/50Hz supply												
Condensing Unit Models	Ambient Temp Deg C	Evaporating Temperature Deg C										
		H			M			L				
		10	5	0	-5	-10	-15	-20	-25	-30	-35	-40
SA 4-16F/2-Y	27	-	13860	12120	10470	8950	7530	6290	5120	4120	-	-
	32	-	12700	11110	9620	8240	6940	5750	4690	3760	-	-
	38	-	-	9880	8560	7350	6210	5130	4170	3330	-	-
SA 4-19F/2-Y	27	-	15570	13730	11950	10310	8740	7340	6090	4940	3920	3060
	32	-	-	12590	10970	9500	8080	6770	5570	4520	3570	2770
	38	-	-	-	-	8460	7200	6060	4960	4020	3160	2410
SA 4-24F/2-Y	27	-	-	-	-	12100	10380	8770	7280	5990	4790	3760
	32	-	-	-	-	11080	9500	8030	6680	5500	4360	3400
	38	-	-	-	-	-	8450	7120	5930	4830	3840	2970
SA 5-19F/2-Y	27	-	17820	15390	13200	11250	9380	7770	6340	5100	-	-
	32	-	16410	14210	12210	10400	8650	7170	5840	4670	-	-
	38	-	14720	12720	10950	9360	7800	6440	5220	4150	-	-
SA 5-25F/2-Y	27	-	-	-	14530	12700	10940	9270	7720	6360	5090	4020
	32	-	-	-	13230	11620	10000	8490	7080	5830	4640	3650
	38	-	-	-	-	-	8860	7530	6270	5170	4100	3200
SA 7-25Q/2-Y	27	-	-	-	16420	14040	11890	9950	8130	6560	5200	4020
	32	-	-	-	15170	12980	11000	9180	7510	6040	4770	3660
	38	-	-	-	13943	11931	10102	8420	6888	5533	4343	3309
SA 5-28Q/2-Y	27	-	-	-	-	13530	11720	10010	8380	6920	5600	4430
	32	-	-	-	-	-	10720	9150	7670	6340	5110	4020
	38	-	-	-	-	-	-	8130	6790	5640	4510	3530
SA 7-28Q/2-Y	27	-	23550	20550	17640	15070	12730	10540	8550	6850	-	-
	32	-	21480	18750	16180	13830	11650	9670	7800	6190	-	-
	38	-	-	-	14340	12250	10300	8560	6860	5420	-	-
SA 5-33S/2-Y	27	-	-	-	-	-	13000	11140	9310	7660	6190	4820
	32	-	-	-	-	-	-	10090	8470	6980	5600	4340
	38	-	-	-	-	-	-	-	7420	6090	4860	3740
SA 7-33S/2-Y	27	-	26910	23580	20440	17470	14820	12370	10070	8110	-	-
	32	-	-	21610	18680	16060	13600	11330	9180	7360	-	-
	38	-	-	-	16540	14210	12040	10040	8100	6460	-	-
SA 7-39S/2-Y	27	-	-	-	-	19460	16650	14060	11730	9650	7700	5700
	32	-	-	-	-	-	15290	12920	10760	8820	7010	5460
	38	-	-	-	-	-	13550	11460	9530	7810	6180	4780
SA10-39S/2-Y	27	-	34360	29850	25730	22010	18560	15360	12600	10200	-	-
	32	-	31690	27480	23760	20360	17190	14210	11600	9360	-	-
	38	-	-	24630	21260	18250	15330	12750	10370	8330	-	-
SA10-51S/2-Y	27	-	-	-	-	-	20880	17760	14800	12170	9740	7630
	32	-	-	-	-	-	19070	16160	13490	11090	8820	6840
	38	-	-	-	-	-	-	14320	11890	9790	7700	5900
SA15-51S/2-Y PWS	27	-	41420	36270	31240	26830	22780	18960	15480	12490	-	-
	32	-	37820	33150	28690	24690	20910	17450	14130	11370	-	-
	38	-	-	-	25450	21900	18570	15480	12570	10000	-	-
SA15-56S/2-Y PWS	27	-	-	-	34710	29930	25420	21320	17580	14220	11210	8660
	32	-	-	-	31710	27350	23290	19560	16130	12950	10170	7750
	38	-	-	-	-	24260	20670	17350	14220	11420	8890	6660
SA20-56S/2-Y PWS	27	-	46810	41170	35620	30680	25960	21740	17800	14410	-	-
	32	-	42660	37600	32650	28150	23890	19990	16290	13140	-	-
	38	-	-	-	29040	25030	21250	17780	14450	11610	-	-
SA20-59V/2-Y PWS	27	-	47670	41700	36230	31200	26380	22060	17980	14550	-	-
	32	-	43260	38170	33160	28590	24250	20250	16470	13230	-	-
	38	-	-	-	29450	25390	21530	17980	14570	11650	-	-
SA15-71V/2-Y PWS	27	-	-	-	-	-	25600	22080	18620	15390	12440	9730
	32	-	-	-	-	-	-	19980	16850	13920	11180	8670
	38	-	-	-	-	-	-	-	-	12070	9690	7400
SA25-71V/2-Y PWS	27	-	52690	46560	40760	35320	30110	25250	20840	16840	-	-
	32	-	-	42380	37310	32240	27500	23110	19030	15270	-	-
	38	-	-	-	-	28530	24320	20410	16770	13380	-	-
SA20-84V/2-Y PWS	27	-	-	-	-	-	33890	28800	24170	20060	16190	12740
	32	-	-	-	-	-	30900	26390	22140	18320	14770	11510
	38	-	-	-	-	-	-	23290	19540	16170	12920	10040
SA30-84V/2-Y PWS	27	-	62292	55350	48560	42179	36041	30375	25148	20513	-	-
	32	-	-	-	44752	38900	33238	27983	23117	18788	-	-
	38	-	-	-	40183	34966	29875	25113	20678	16713	-	-
SA25-106Z/2-Y PWS	27	-	-	-	57444	49951	42755	36383	30361	24930	19955	15550
	32	-	-	-	-	45989	39263	33391	27822	22765	18142	13993
	38	-	-	-	-	41234	35075	29823	24775	20166	15964	12126
SA30-126Z/2-Y PWS	27	-	-	-	-	56038	47981	41263	34725	28719	23157	18149
	32	-	-	-	-	-	43906	37782	31758	26183	21026	16320
	38	-	-	-	-	-	39014	33607	28197	23138	18468	14125

CONDENSING UNIT CAPACITIES ARE PUBLISHED, ASSUMING +20 C SUCTION RETURN GAS TEMPERATURE, NO LIQUID SUB COOLING.

R134a Refrigeration capacity in Watts/50Hz supply												
Condensing Unit Models	Ambient Temp Deg C	Evaporating Temperature Deg C										
		H			M			L				
		10	5	0	-5	-10	-15	-20	-25	-30	-35	-40
SA 0.5-4A-Y	27	2670	2260	1890	1550	1260	1010	790	-	-	-	-
	32	2520	2130	1780	1460	1180	940	730	-	-	-	-
	38	2340	1970	1640	1340	1080	860	660	-	-	-	-
SA 0.5-5A-Y	27	3230	2760	2320	1930	1570	1260	990	-	-	-	-
	32	3040	2590	2180	1810	1470	1170	920	-	-	-	-
	38	-	2400	2010	1660	1340	1070	830	-	-	-	-
SA 0.7-5A-Y	27	3500	2950	2450	2020	1640	1310	1030	-	-	-	-
	32	3310	2790	2310	1900	1540	1220	950	-	-	-	-
	38	3070	2590	2140	1750	1410	1120	860	-	-	-	-
SA 0.7-6A-Y	27	3490	2990	2520	2100	1720	1380	1080	-	-	-	-
	32	3270	2810	2370	1970	1610	1280	1010	-	-	-	-
	38	-	-	2190	1810	1470	1170	910	-	-	-	-
SA 1-6A-Y	27	3820	3220	2690	2210	1800	1440	1130	-	-	-	-
	32	3600	3040	2540	2080	1680	1340	1050	-	-	-	-
	38	3340	2820	2340	1920	1550	1220	940	-	-	-	-
SA 1-7A-Y	27	4710	4010	3370	2790	2270	1820	1430	-	-	-	-
	32	4430	3770	3170	2630	2130	1700	1330	-	-	-	-
	38	-	3500	2930	2420	1950	1550	1200	-	-	-	-
SA 1.5-7A-Y	27	5140	4310	3580	2940	2390	1900	1490	-	-	-	-
	32	4860	4070	3380	2760	2240	1780	1380	-	-	-	-
	38	4510	3780	3130	2560	2060	1620	1250	-	-	-	-
SA 1.5-9B-Y	27	5770	4940	4180	3490	2860	2290	1800	-	-	-	-
	32	5410	4630	3920	3260	2670	2120	1660	-	-	-	-
	38	-	-	3600	2990	2440	1930	1480	-	-	-	-
SA 2-10B-Y	27	6960	5900	4930	4060	3310	2640	2060	-	-	-	-
	32	6560	5550	4640	3810	3090	2450	1900	-	-	-	-
	38	6060	5130	4280	3500	2820	2230	1700	-	-	-	-
SA 2-10B/2-Y	27	7290	6130	5090	4180	3390	2690	2100	-	-	-	-
	32	6870	5780	4790	3930	3170	2510	1940	-	-	-	-
	38	6390	4990	4130	3350	2680	2090	1740	-	-	-	-
SA 2-11D-Y	27	7680	6540	5480	4530	3680	2940	2290	-	-	-	-
	32	7210	6130	5140	4240	3430	2720	2100	-	-	-	-
	38	-	5650	4730	3890	3120	2460	1880	-	-	-	-
SA 2-11D/2-Y	27	8210	6920	5740	4720	3820	3040	2360	-	-	-	-
	32	7760	6530	5410	4430	3570	2810	2170	-	-	-	-
	38	7180	6040	4980	4070	3260	2550	1940	-	-	-	-
SA 2-13D-Y	27	8760	7500	6320	5250	4290	3420	2680	-	-	-	-
	32	8230	7030	5920	4910	3990	3180	2450	-	-	-	-
	38	-	-	5440	4500	3630	2870	2200	-	-	-	-
SA 2-13D/2-Y	27	9480	8040	6720	5510	4470	3560	2770	-	-	-	-
	32	8950	7560	6310	5160	4170	3310	2550	-	-	-	-
	38	8280	6980	5810	4750	3800	2990	2280	-	-	-	-
SA 3-13D-Y	27	8810	7520	6320	5240	4270	3400	2650	-	-	-	-
	32	8270	7050	5920	4900	3980	3150	2430	-	-	-	-
	38	-	6490	5450	4480	3610	2840	2170	-	-	-	-
SA 3-13D/2-Y	27	9530	8040	6710	5490	4450	3540	2750	-	-	-	-
	32	8970	7570	6300	5140	4150	3280	2530	-	-	-	-
	38	8300	6990	5810	4730	3780	2960	2250	-	-	-	-
SA 2-15D-Y	27	9800	8430	7150	5960	4900	3910	3070	-	-	-	-
	32	-	7900	6690	5560	4540	3620	2810	-	-	-	-
	38	-	-	6130	5090	4130	3260	2500	-	-	-	-
SA 2-15D/2-Y	27	-	-	-	-	-	-	-	-	-	-	-
	32	-	-	-	-	-	-	-	-	-	-	-
	38	-	-	-	-	-	-	-	-	-	-	-
SA 3-15D-Y	27	9720	8340	7050	5870	4800	3830	3000	-	-	-	-
	32	-	7810	6600	5480	4460	3550	2750	-	-	-	-
	38	-	-	6060	5000	4050	3190	2430	-	-	-	-
SA 3-18D-Y	27	-	9740	8310	6970	5740	4640	3620	-	-	-	-
	32	-	-	7760	6500	5350	4280	3330	-	-	-	-
	38	-	-	-	5920	4840	3860	2950	-	-	-	-
SA 3-18D/2-Y	27	12590	10720	9040	7500	6120	4890	3810	-	-	-	-
	32	11840	10090	8470	7010	5700	4530	3510	-	-	-	-
	38	-	-	7780	6420	5170	4090	3130	-	-	-	-
SA 4-16D/2-Y	27	11580	9760	8140	6670	5400	4290	3340	-	-	-	-
	32	10910	9190	7640	6260	5030	3980	3060	-	-	-	-
	38	10110	8510	7030	5740	4600	3600	2730	-	-	-	-
SA 4-18D/2-Y	27	13260	11230	9390	7750	6290	5000	3900	-	-	-	-
	32	12480	10560	8840	7270	5860	4630	3590	-	-	-	-
	38	11530	9770	8140	6650	5350	4200	3200	-	-	-	-

CONDENSING UNIT CAPACITIES ARE PUBLISHED, ASSUMING +20 C SUCTION RETURN GAS TEMPERATURE, NO LIQUID SUB COOLING.

R134a Refrigeration capacity in Watts/50Hz supply												
Condensing Unit Models	Ambient Temp Deg C	Evaporating Temperature Deg C										
		H			M			L				
		10	5	0	-5	-10	-15	-20	-25	-30	-35	-40
SA 4-16F/2-Y	27	11970	10120	8460	6950	5650	4510	3520	-	-	-	-
	32	11290	9540	7960	6520	5280	4200	3260	-	-	-	-
	38	10460	8830	7350	6020	4830	3820	2930	-	-	-	-
SA 4-19F/2-Y	27	13560	11540	9710	8080	6600	5340	4230	-	-	-	-
	32	12810	10900	9170	7610	6210	5000	3950	-	-	-	-
	38	-	10110	8500	7050	5740	4600	3610	-	-	-	-
SA 4-24F/2-Y	27	15740	13460	11380	9500	7820	6300	4990	-	-	-	-
	32	14810	12660	10710	8930	7330	5880	4640	-	-	-	-
	38	-	-	9890	8230	6730	5390	4210	-	-	-	-
SA 5-19F/2-Y	27	14490	12180	10140	8340	6800	5460	4300	-	-	-	-
	32	13720	11520	9590	7890	6400	5120	4010	-	-	-	-
	38	12780	10720	8910	7320	5910	4710	3660	-	-	-	-
SA 5-25F/2-Y	27	16980	14560	12320	10300	8490	6900	5470	-	-	-	-
	32	15980	13690	11590	9680	7990	6430	5090	-	-	-	-
	38	-	-	10690	8950	7350	5890	4630	-	-	-	-
SA 7-25Q/2-Y	27	18580	15720	13190	10910	8930	7200	5690	-	-	-	-
	32	17520	14860	12460	10260	8380	6740	5300	-	-	-	-
	38	16227	13764	11527	9491	7720	6184	4836	-	-	-	-
SA 5-28Q/2-Y	27	18270	15770	13450	11270	9350	7630	6070	-	-	-	-
	32	-	14840	12650	10620	8780	7140	5660	-	-	-	-
	38	-	-	-	9800	8090	6550	5160	-	-	-	-
SA 7-28Q/2-Y	27	19950	16880	14100	11590	9390	7470	5800	-	-	-	-
	32	18790	15880	13240	10840	8750	6920	5340	-	-	-	-
	38	17430	14700	12220	9960	7970	6250	4760	-	-	-	-
SA 5-33S/2-Y	27	-	17660	15140	12770	10620	8680	6960	-	-	-	-
	32	-	-	14210	12000	9950	8110	6450	-	-	-	-
	38	-	-	-	-	9130	7410	5850	-	-	-	-
SA 7-33S/2-Y	27	23400	19860	16670	13830	11280	9070	7170	-	-	-	-
	32	22060	18720	15700	13000	10590	8470	6670	-	-	-	-
	38	20420	17340	14540	12000	9750	7780	6060	-	-	-	-
SA 7-39S/2-Y	27	26100	22370	18970	15860	13090	10580	8430	-	-	-	-
	32	24570	21050	17840	14920	12290	9920	7860	-	-	-	-
	38	-	-	16480	13770	11320	9080	7160	-	-	-	-
SA10-39S/2-Y	27	28760	24230	20210	16690	13630	10950	8660	-	-	-	-
	32	27190	22970	19080	15750	12830	10280	8100	-	-	-	-
	38	25290	21350	17720	14610	11870	9460	7400	-	-	-	-
SA10-51S/2-Y	27	32270	27820	23570	19790	16380	13300	10540	-	-	-	-
	32	-	26100	22140	18610	15330	12400	9780	-	-	-	-
	38	-	-	-	17100	14050	11340	8860	-	-	-	-
SA15-51S/2-Y PWS	27	35460	30060	25200	20870	17010	13680	10770	-	-	-	-
	32	33440	28350	23750	19580	15950	12790	10010	-	-	-	-
	38	30980	26270	21980	18090	14680	11700	9090	-	-	-	-
SA15-56S/2-Y PWS	27	39120	33440	28170	23440	19180	15490	12260	-	-	-	-
	32	36920	31470	26530	22050	18010	14480	11410	-	-	-	-
	38	-	29110	24530	20360	16560	13260	10370	-	-	-	-
SA20-56S/2-Y PWS	27	40130	34110	28650	23790	19390	15640	12370	-	-	-	-
	32	37850	32170	27010	22390	18200	14630	11510	-	-	-	-
	38	35080	29810	25050	20720	16810	13390	10470	-	-	-	-
SA20-59V/2-Y PWS	27	42360	36020	30250	25080	20410	16380	12870	-	-	-	-
	32	39890	33920	28450	23530	19080	15250	11900	-	-	-	-
	38	-	31350	26250	21660	17460	13860	10720	-	-	-	-
SA15-71V/2-Y PWS	27	-	-	30650	26040	21750	17830	14300	-	-	-	-
	32	-	-	-	24340	20320	16600	13270	-	-	-	-
	38	-	-	-	-	18580	15170	12010	-	-	-	-
SA25-71V/2-Y PWS	27	46870	39970	33750	28090	23040	18550	14620	-	-	-	-
	32	44200	37640	31740	26370	21620	17300	13590	-	-	-	-
	38	-	34790	29290	24340	19740	15790	12290	-	-	-	-
SA20-84V/2-Y PWS	27	51960	44960	38220	32200	26640	21680	17250	-	-	-	-
	32	-	42160	35980	30200	24960	20310	16040	-	-	-	-
	38	-	-	-	27810	22980	18550	14560	-	-	-	-
SA30-84V/2-Y PWS	27	57097	48720	41066	34143	27994	22559	17809	-	-	-	-
	32	53853	45932	38675	32095	26240	21055	16517	-	-	-	-
	38	49960	42587	35805	29638	24135	19252	14967	-	-	-	-
SA25-106Z/2-Y PWS	27	66831	57625	49036	41122	34000	27625	21995	-	-	-	-
	32	-	54263	46163	38671	31910	25841	20468	-	-	-	-
	38	-	50229	42717	35731	29402	23700	18637	-	-	-	-
SA30-126Z/2-Y PWS	27	-	64773	55633	47020	39145	32010	25634	-	-	-	-
	32	-	-	52291	44174	36721	29944	23868	-	-	-	-
	38	-	-	48280	40759	33812	27465	21749	-	-	-	-

CONDENSING UNIT CAPACITIES ARE PUBLISHED, ASSUMING +20 C SUCTION RETURN GAS TEMPERATURE, NO LIQUID SUB COOLING.

R407C Refrigeration capacity in Watts/50Hz supply												
Condensing Unit Models	Ambient Temp Deg C	Evaporating Temperature Deg C										
		H			M			L				
		10	5	0	-5	-10	-15	-20	-25	-30	-35	-40
SA 0.5-4A-Y	27	3580	3100	2640	2220	1830	1480	1170	900	-	-	-
	32	-	2870	2460	2060	1690	1370	1080	820	-	-	-
	38	-	-	-	1860	1530	1230	960	720	-	-	-
SA 0.5-5A-Y	27	-	-	-	-	-	-	-	-	-	-	-
	32	-	-	-	-	-	-	-	-	-	-	-
	38	-	-	-	-	-	-	-	-	-	-	-
SA 0.7-5A-Y	27	-	4070	3440	2870	2360	1900	1500	1150	-	-	-
	32	-	3790	3200	2680	2190	1760	1380	1050	-	-	-
	38	-	-	2930	2440	1990	1590	1230	920	-	-	-
SA 0.7-6A-Y	27	-	-	-	-	-	-	-	-	-	-	-
	32	-	-	-	-	-	-	-	-	-	-	-
	38	-	-	-	-	-	-	-	-	-	-	-
SA 1-6A-Y	27	5150	4410	3740	3130	2580	2080	1650	1270	-	-	-
	32	4790	4100	3490	2920	2390	1930	1510	1150	-	-	-
	38	-	-	3180	2650	2170	1730	1350	1010	-	-	-
SA 1-7A-Y	27	-	-	-	-	-	-	-	-	-	-	-
	32	-	-	-	-	-	-	-	-	-	-	-
	38	-	-	-	-	-	-	-	-	-	-	-
SA 1.5-7A-Y	27	6950	5910	4970	4140	3390	2710	2140	1640	-	-	-
	32	6500	5530	4650	3860	3160	2510	1970	1500	-	-	-
	38	-	5060	4250	3520	2860	2280	1770	1320	-	-	-
SA 1.5-9B-Y	27	-	-	-	-	-	-	-	-	-	-	-
	32	-	-	-	-	-	-	-	-	-	-	-
	38	-	-	-	-	-	-	-	-	-	-	-
SA 2-10B-Y	27	9010	7820	6630	5550	4580	3710	2950	2270	-	-	-
	32	-	7250	6160	5160	4250	3430	2710	2070	-	-	-
	38	-	-	-	4680	3840	3080	2410	1810	-	-	-
SA 2-10B/2-Y	27	-	-	-	-	-	-	-	-	-	-	-
	32	-	-	-	-	-	-	-	-	-	-	-
	38	-	-	-	-	-	-	-	-	-	-	-
SA 2-11D-Y	27	-	8870	7600	6420	5310	4330	3420	2630	-	-	-
	32	-	-	7040	5930	4900	3960	3120	2360	-	-	-
	38	-	-	-	-	4410	3560	2770	2050	-	-	-
SA 2-11D/2-Y	27	11490	9810	8280	6890	5650	4560	3560	2730	-	-	-
	32	10720	9140	7710	6420	5250	4210	3280	2480	-	-	-
	38	-	-	7030	5830	4740	3770	2910	2150	-	-	-
SA 2-13D-Y	27	-	-	-	-	-	-	-	-	-	-	-
	32	-	-	-	-	-	-	-	-	-	-	-
	38	-	-	-	-	-	-	-	-	-	-	-
SA 2-13D/2-Y	27	-	-	-	-	-	-	-	-	-	-	-
	32	-	-	-	-	-	-	-	-	-	-	-
	38	-	-	-	-	-	-	-	-	-	-	-
SA 3-13D-Y	27	-	9730	8370	7130	5920	4830	3850	2990	-	-	-
	32	-	-	-	6600	5470	4480	3540	2720	-	-	-
	38	-	-	-	-	4950	3990	3140	2360	-	-	-
SA 3-13D/2-Y	27	12670	10870	9190	7690	6330	5120	4060	3120	-	-	-
	32	11810	10160	8580	7170	5880	4730	3700	2830	-	-	-
	38	-	-	-	6520	5330	4260	3290	2470	-	-	-
SA 2-15D-Y	27	-	-	-	-	-	-	-	-	-	-	-
	32	-	-	-	-	-	-	-	-	-	-	-
	38	-	-	-	-	-	-	-	-	-	-	-
SA 2-15D/2-Y	27	-	-	-	-	-	-	-	-	-	-	-
	32	-	-	-	-	-	-	-	-	-	-	-
	38	-	-	-	-	-	-	-	-	-	-	-
SA 3-15D-Y	27	-	-	9120	7770	6500	5320	4260	3300	-	-	-
	32	-	-	-	7150	5980	4900	3860	2960	-	-	-
	38	-	-	-	-	-	4330	3400	2570	-	-	-
SA 3-18D-Y	27	-	-	-	-	-	-	-	-	-	-	-
	32	-	-	-	-	-	-	-	-	-	-	-
	38	-	-	-	-	-	-	-	-	-	-	-
SA 3-18D/2-Y	27	-	-	-	-	-	-	-	-	-	-	-
	32	-	-	-	-	-	-	-	-	-	-	-
	38	-	-	-	-	-	-	-	-	-	-	-
SA 4-16D/2-Y	27	15570	13340	11300	9420	7740	6240	4920	3770	-	-	-
	32	14500	12420	10490	8760	7180	5760	4510	3410	-	-	-
	38	-	-	9540	7950	6490	5210	3960	2970	-	-	-
SA 4-18D/2-Y	27	17050	14640	12420	10420	8620	7050	5580	4320	-	-	-
	32	-	13610	11570	9700	8020	6500	5170	3950	-	-	-
	38	-	-	-	8830	7270	5860	4610	3500	-	-	-

CONDENSING UNIT CAPACITIES ARE PUBLISHED, ASSUMING +20 C SUCTION RETURN GAS TEMPERATURE, NO LIQUID SUB COOLING.



R407C Refrigeration capacity in Watts/50Hz supply												
Condensing Unit Models	Ambient Temp Deg C	Evaporating Temperature Deg C										
		H			M			L				
		10	5	0	-5	-10	-15	-20	-25	-30	-35	-40
SA 4-16F/2-Y	27	16010	13720	11590	9690	7960	6420	5080	3890	-	-	-
	32	14910	12770	10790	9000	7380	5920	4640	3520	-	-	-
	38	-	-	9820	8170	6670	5340	4080	3060	-	-	-
SA 4-19F/2-Y	27	-	15440	13110	10980	9070	7360	5830	4490	-	-	-
	32	-	14390	12180	10190	8400	6800	5330	4040	-	-	-
	38	-	-	-	9230	7580	6080	4760	3550	-	-	-
SA 4-24F/2-Y	27	-	-	-	-	-	-	-	-	-	-	-
	32	-	-	-	-	-	-	-	-	-	-	-
	38	-	-	-	-	-	-	-	-	-	-	-
SA 5-19F/2-Y	27	20070	17050	14320	11870	9690	7780	6120	4670	-	-	-
	32	18740	15930	13410	11070	9010	7200	5610	4230	-	-	-
	38	-	14610	12250	10100	8180	6480	5000	3730	-	-	-
SA 5-25F/2-Y	27	-	-	-	-	-	-	-	-	-	-	-
	32	-	-	-	-	-	-	-	-	-	-	-
	38	-	-	-	-	-	-	-	-	-	-	-
SA 7-25Q/2-Y	27	-	20750	17660	14810	12240	9950	7930	6170	-	-	-
	32	-	19390	16450	13800	11390	9230	7300	5640	-	-	-
	38	-	17677	15005	12567	10332	8335	6547	4991	-	-	-
SA 5-28Q/2-Y	27	-	-	-	-	-	-	-	-	-	-	-
	32	-	-	-	-	-	-	-	-	-	-	-
	38	-	-	-	-	-	-	-	-	-	-	-
SA 7-28Q/2-Y	27	26460	22730	19260	16120	13290	10760	8520	6570	-	-	-
	32	-	21170	17920	15030	12360	9950	7820	5960	-	-	-
	38	-	-	-	13650	11190	8960	6970	5220	-	-	-
SA 5-33S/2-Y	27	-	-	-	-	-	-	-	-	-	-	-
	32	-	-	-	-	-	-	-	-	-	-	-
	38	-	-	-	-	-	-	-	-	-	-	-
SA 7-33S/2-Y	27	31250	26910	22830	19170	15810	12790	10120	7740	-	-	-
	32	-	24960	21210	17770	14620	11780	9320	7040	-	-	-
	38	-	-	-	16050	13200	10560	8190	6130	-	-	-
SA 7-39S/2-Y	27	-	-	-	-	-	-	-	-	-	-	-
	32	-	-	-	-	-	-	-	-	-	-	-
	38	-	-	-	-	-	-	-	-	-	-	-
SA10-39S/2-Y	27	39790	33980	28670	23870	19570	15760	12350	9490	-	-	-
	32	37050	31660	26770	22240	18180	14560	11400	8650	-	-	-
	38	-	-	24380	20220	16450	13100	10140	7530	-	-	-
SA10-51S/2-Y	27	-	-	-	-	-	-	-	-	-	-	-
	32	-	-	-	-	-	-	-	-	-	-	-
	38	-	-	-	-	-	-	-	-	-	-	-
SA15-51S/2-Y PWS	27	47120	40590	34510	28930	23860	19320	15300	11720	-	-	-
	32	-	37690	32060	26850	22100	17820	14020	10690	-	-	-
	38	-	-	-	24360	19980	16000	12480	9350	-	-	-
SA15-56S/2-Y PWS	27	-	-	-	-	-	-	-	-	-	-	-
	32	-	-	-	-	-	-	-	-	-	-	-
	38	-	-	-	-	-	-	-	-	-	-	-
SA20-56S/2-Y PWS	27	53230	45900	39100	32900	27300	22260	17790	13890	-	-	-
	32	-	42780	36450	30660	25400	20770	16480	12650	-	-	-
	38	-	-	-	27920	23080	18680	14830	11300	-	-	-
SA20-59V/2-Y PWS	27	54770	47180	40430	33790	27960	22690	18020	13870	-	-	-
	32	-	43870	37380	31390	25920	21090	16580	12590	-	-	-
	38	-	-	-	28660	23440	18900	14710	11080	-	-	-
SA15-71V/2-Y PWS	27	-	-	-	-	-	-	-	-	-	-	-
	32	-	-	-	-	-	-	-	-	-	-	-
	38	-	-	-	-	-	-	-	-	-	-	-
SA25-71V/2-Y PWS	27	-	53290	45600	38690	32060	26190	21040	16350	-	-	-
	32	-	-	42300	35710	29670	24270	19170	14750	-	-	-
	38	-	-	-	-	26770	21690	17060	12950	-	-	-
SA20-84V/2-Y PWS	27	-	-	-	-	35754	29711	24124	19099	-	-	-
	32	-	-	-	-	33019	27422	22242	17470	-	-	-
	38	-	-	-	-	-	-	19885	15472	-	-	-
SA30-84V/2-Y PWS	27	-	61407	54558	46290	38655	31705	25465	19980	-	-	-
	32	-	-	51089	43280	36046	29446	23506	18308	-	-	-
	38	-	-	-	-	32917	26735	21155	16302	-	-	-
SA25-106Z/2-Y PWS	27	-	-	-	55413	46818	38822	31531	24997	-	-	-
	32	-	-	-	-	43689	36112	29182	22961	-	-	-
	38	-	-	-	-	-	32859	26366	20517	-	-	-
SA30-126Z/2-Y PWS	27	-	-	-	-	-	-	-	-	-	-	-
	32	-	-	-	-	-	-	-	-	-	-	-
	38	-	-	-	-	-	-	-	-	-	-	-

CONDENSING UNIT CAPACITIES ARE PUBLISHED, ASSUMING +20 C SUCTION RETURN GAS TEMPERATURE, NO LIQUID SUB COOLING.

MODULAR HOUSED UNIT DIMENSIONS

MODELS	Housing Part Number		LENGTH A (mm)	WIDTH B (mm)	HEIGHT C (mm)
	SA 0.5-4A	A4898-	01	560	690
SA 0.5-5A	A4898-	01	560	690	465
SA 0.7-5A	A4898-	02	660	690	545
SA 0.7-6A	A4898-	01	560	690	465
SA 1-6A	A4898-	02	660	690	545
SA 1-7A	A4898-	02	660	690	545
SA 1.5-7A	A4898-	03	860	650	595
SA 1.5-9B	A4898-	02	660	690	545
SA 2-10B	A4898-	03	860	650	595
SA 2-11D	A4898-	03	860	650	595
SA 2-13D	A4898-	03	860	650	595
SA 3-13D	A4898-	03	860	650	595
SA 2-15D	A4898-	03	860	650	595
SA 3-15D	A4898-	03	860	650	595
SA 3-18D	A4898-	03	860	650	595
SA 2-10B/2	A4898-	04	1050	660	595
SA 2-11D/2	A4898-	04	1050	660	595
SA 2-13D/2	A4898-	04	1050	660	595
SA 3 13D/2	A4898-	05	1090	790	695
SA 3-18D/2	A4898-	04	1050	660	595
SA 4-16D/2	A4898-	05	1090	790	695
SA 4-18D/2	A4898-	05	1090	790	695
SA 4-16F/2	A4898-	05	1090	790	695
SA 4-19F/2	A4898-	05	1090	790	695
SA 4-24F/2	A4898-	05	1090	790	695
SA 5-19F/2	A4898-	08	1485	880	910
SA 5-25F/2	A4898-	05	1090	790	695
SA 7-25Q/2	A4898-	08	1485	880	910
SA 5-28Q/2	A4898-	06	1090	910	695
SA 7-28Q/2	A4898-	08	1485	880	910
SA 5-33S/2	A4898-	06	1090	910	695
SA 7-33S/2	A4898-	08	1485	880	910
SA 7-39S/2	A4898-	08	1485	880	910
SA10-39S/2	A4898-	09	1635	880	1080
SA10-51S/2	A4898-	08	1485	880	910
SA15-51S/2	A4898-	09	1635	880	1080



## STANDARD NON HOUSED UNIT DIMENSIONS

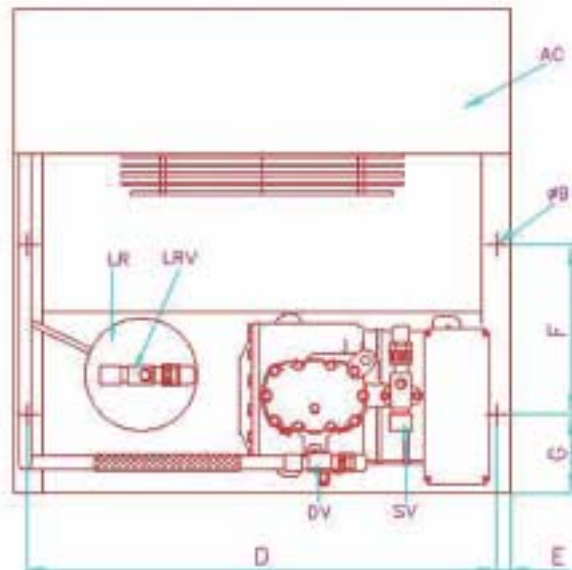
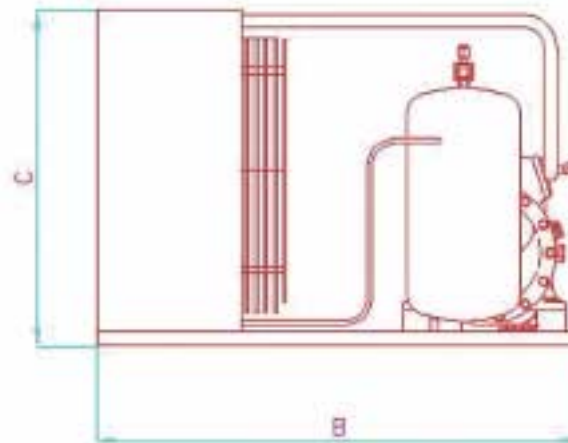
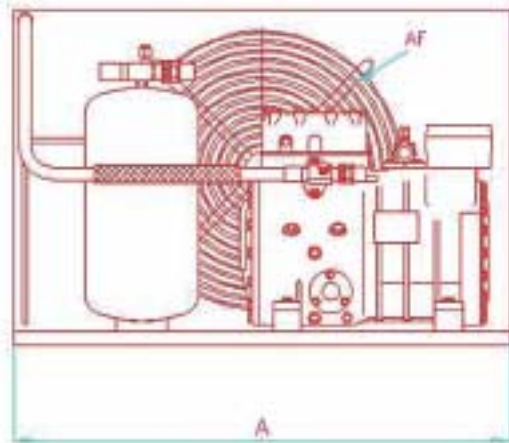
MODELS Drawing No 1	LENGTH A (mm)	WIDTH B (mm)	HEIGHT C (mm)	BASE MOUNTING CENTRES			
				D (mm)	E (mm)	F (mm)	G (mm)
SA 0.5-4A	400	600	365	370	15	240	70
SA 0.5-5A	400	600	365	370	15	240	70
SA 0.7-5A	500	630	445	470	15	240	70
SA 0.7-6A	400	600	365	370	15	240	70
SA 1-6A	500	630	445	470	15	240	70
SA 1-7A	500	630	445	470	15	240	70
SA 1.5-7A	700	560	506	670	15	240	70
SA 1.5-9B	500	630	445	470	15	240	70
SA 2-10B	700	560	506	670	15	240	70
SA 2-11D	700	560	506	670	15	360	110
SA 2-13D	700	560	506	670	15	360	110
SA 3-13D	700	560	506	670	15	360	110
SA 2-15D	700	560	506	670	15	360	110
SA 3-15D	700	560	506	670	15	360	110
SA 3-18D	700	560	506	670	15	360	110
MODELS Drawing No 2	LENGTH A (mm)	WIDTH B (mm)	HEIGHT C (mm)	BASE MOUNTING CENTRES			
				D (mm)	E (mm)	F (mm)	G (mm)
SA 2-10B/2	930	600	480	900	15	240	70
SA 2-11D/2	930	600	480	900	15	240	70
SA 2-13D/2	930	600	480	900	15	240	70
SA 3 13D/2	1000	700	565	970	15	360	70
SA 3-18D/2	930	600	480	900	15	240	70
SA 4-16D/2	1000	700	565	970	15	360	70
SA 4-18D/2	1000	700	565	970	15	360	70
MODELS Drawing No 13	LENGTH A (mm)	WIDTH B (mm)	HEIGHT C (mm)	BASE MOUNTING CENTRES			
				D (mm)	E (mm)	F (mm)	G (mm)
SA 4-16F/2	1000	700	565	970	15	360	70
SA 4-19F/2	1000	700	565	970	15	360	70
SA 4-24F/2	1000	700	565	970	15	360	70
SA 5-19F/2	1365	820	780	1295	35	375	30
SA 5-25F/2	1000	700	565	970	15	360	70
SA 7-25Q/2	1365	820	780	1295	35	375	30
SA 5-28Q/2	1000	820	565	970	15	360	70
SA 7-28Q/2	1365	820	780	1295	35	375	30
MODELS Drawing No 4	LENGTH A (mm)	WIDTH B (mm)	HEIGHT C (mm)	BASE MOUNTING CENTRES			
				D (mm)	E (mm)	F (mm)	G (mm)
SA 5-33S/2	1000	820	565	970	15	360	70
SA 7-33S/2	1365	820	780	1295	35	375	30
SA 7-39S/2	1365	820	780	1295	35	375	30
SA10-39S/2	1515	820	950	1445	35	375	30
SA10-51S/2	1365	820	780	1295	35	375	30
SA15-51S/2	1515	820	950	1445	35	375	30
SA15-56S/2	1515	820	950	1445	35	375	30
SA20-56S/2	1515	820	950	1445	35	375	30
MODELS Drawing No 5	LENGTH A (mm)	WIDTH B (mm)	HEIGHT C (mm)	BASE MOUNTING CENTRES			
				D (mm)	E (mm)	F (mm)	G (mm)
SA20-59V/2	1515	820	950	1445	35	375	30
SA15-71V/2	1365	820	780	1295	35	375	30
SA25-71V/2	1515	820	950	1445	35	375	30
SA20-84V/2	1515	820	950	1445	35	375	30
SA30-84V/2	1515	920	1200	1445	35	375	30
SA25-106Z/2	1515	920	1200	1445	35	375	30
SA30-126Z/2	1515	920	1200	1445	35	375	30

DO NOT SCALE

DIMENSIONS IN MM UNLESS STATED.

REMOVE ALL BURRS AND SHARP EDGES.

INTERNAL MANUFACTURE TO CONFORM TO THE RELEVANT SECTIONS OF HSE-05-038

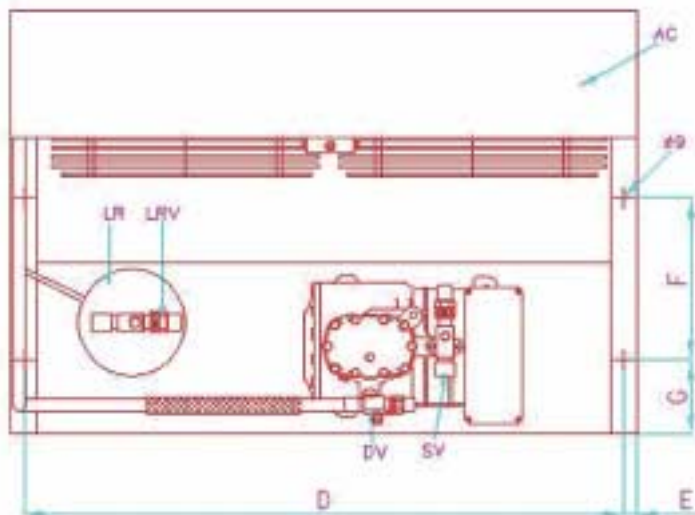
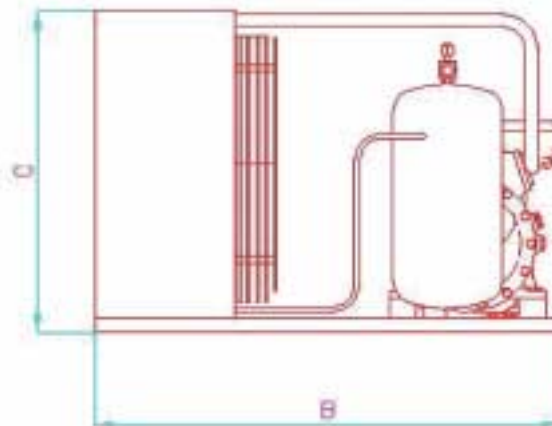
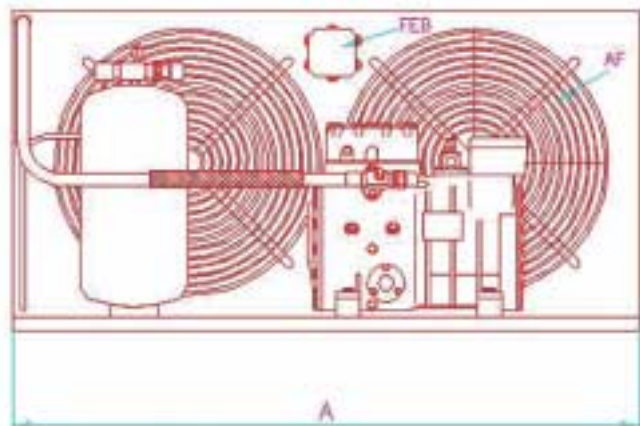


CONNECTIONS AND FITTINGS	
SV	Suction Service Valve
DV	Discharge Service Valve
AC	Air-cooled Condenser
AF	Condenser Fan
LR	Liquid Receiver
LRV	Liquid Receiver Outlet Valve

MODELS 1	LENGTH						G
	A	B	C	D	E	F	
	(mm)	(mm)	(mm)	(mm)	(mm)	(mm)	(mm)
SA 0.5-4A	400	600	385	370	15	240	70
SA 0.5-5A	400	600	385	370	15	240	70
SA 0.7-5A	500	630	445	470	15	240	70
SA 0.7-6A	400	600	385	370	15	240	70
SA 1-6A	500	630	445	470	15	240	70
SA 1-7A	500	630	445	470	15	240	70
SA 1.5-7A	700	580	485	670	15	240	70
SA 1.5-8B	500	630	445	470	15	240	70
SA 1.5-10B	500	630	445	470	15	240	70
SA 2 11 D-(Y)	700	700	505	670	15	360	110
SA 2 13 D-(Y)	700	700	505	670	15	360	110
SA 3 13 D-(Y)	700	700	505	670	15	360	110
SA 2 15 D-(Y)	700	700	505	670	15	360	110
SA 3 15 D-(Y)	700	700	505	670	15	360	110
SA 3 18 D-(Y)	700	700	505	670	15	360	110

		HULLER, GUY, PERIN PARTS TEL: 01473 66666 FAX: 01473 66667 © 2005 HUBBARD, WARRINER	
GENERAL TOLERANCES MACHINED PARTS ±0.25mm±0.30 SHEET METAL ±0.25mm±0.30 PIPEWORK ±1.00mm±1.30 WELD COEDING ±0.30mm UNLESS OTHERWISE SPECIFIED		FILE SA UNIT OUTLINE MODEL 1	
MATERIAL AS ABOVE		MODEL SA	DRG NO D2259
DRW BY S.W DATE 28/05/03 SCALE 1:7 PERM ABOVE		CHECKED (RJP)	

Drawing No 1



**CONNECTIONS AND FITTINGS**

SV	Suction Service Valve
DV	Discharge Service Valve
AC	Air-cooled Condenser
AF	Condenser Fan
LR	Liquid Receiver
LRV	Liquid Receiver Outlet Valve
FEB	Condenser Fan Wiring Box

MODEL 2	BASE MOUNTING CENTRE						
	LENGTH (mm)	WIDTH (mm)	HEIGHT (mm)	D (mm)	E (mm)	F (mm)	G (mm)
SA 2-108/2	930	600	480	900	15	240	70
SA 2-110/2	930	600	480	900	15	240	70
SA 2-0/2	930	600	480	900	15	240	70
SA 3-130/2	1000	700	565	970	15	360	70
SA 2-180/2	930	600	480	900	15	240	70
SA 3-180/2	930	600	480	900	15	240	70
SA 4-180/2	1000	700	565	970	15	360	70
SA 4-180/2	1000	700	565	970	15	360	70

1ST ANGLE PROJECTION		GENERAL TOLERANCES	
MACHINED PARTS ±0.25mm±0.30		SHEET METAL ±0.30mm±0.50	
PIPEWORK ±0.00mm±0.50		WELD CORNER ±0.25mm	
UNLESS OTHERWISE SPECIFIED			
MATERIAL		AS ABOVE	
DRN BY	S.W	DATE	28/05/03
NO	DATE	CON NO	SCALE 1:8
			FEED S/C

**HUBBARD** HULLING, STEEL, IPBOND PUMP  
TEL: 01423 69002 FAX: 01423 69007  
© 2002 HTR, GUYTON, DENHAM

TITLE: SA UNIT OUTLINE MODEL 2

MODEL: SA SIG NO: D2260

DESIGN: (R.P)

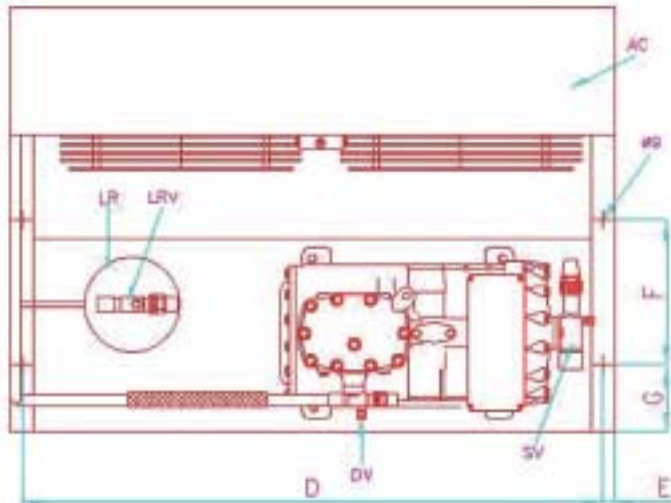
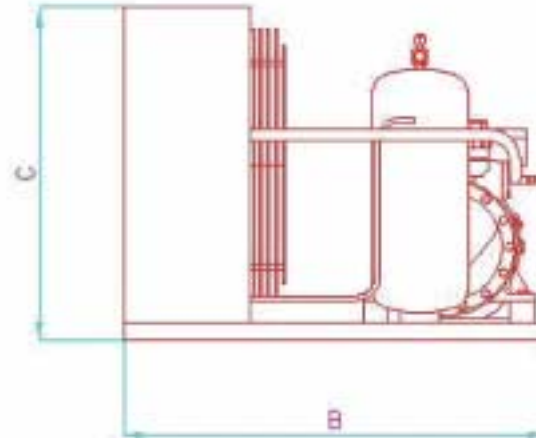
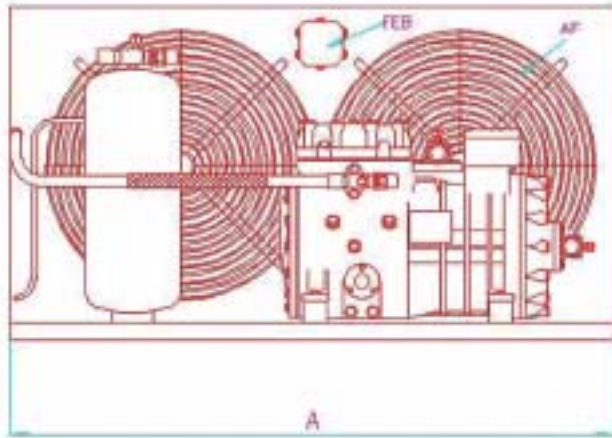
Drawing No 2

DO NOT SCALE.

DIMENSIONS IN MM UNLESS STATED.

REMOVE ALL BURRS AND SHARP EDGES.

INTERNAL MANUFACTURE TO CONFORM TO THE RELEVANT SECTIONS OF HSE-05-038

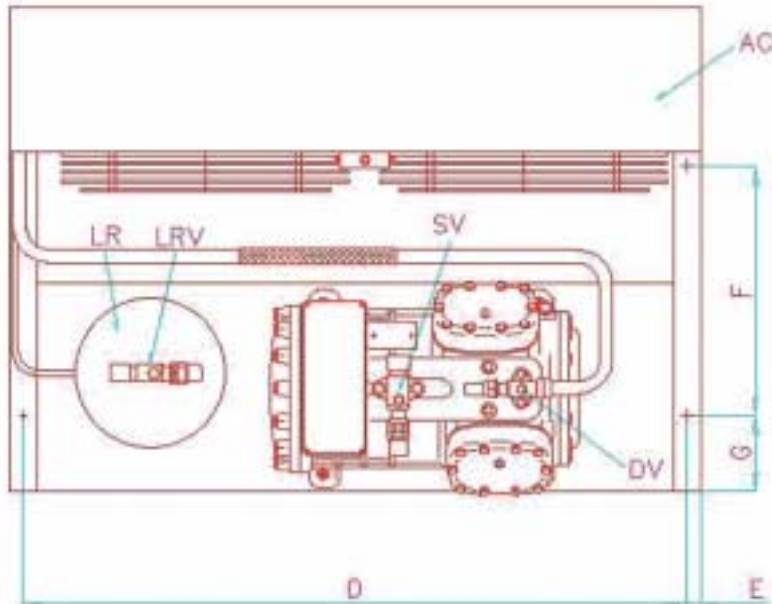
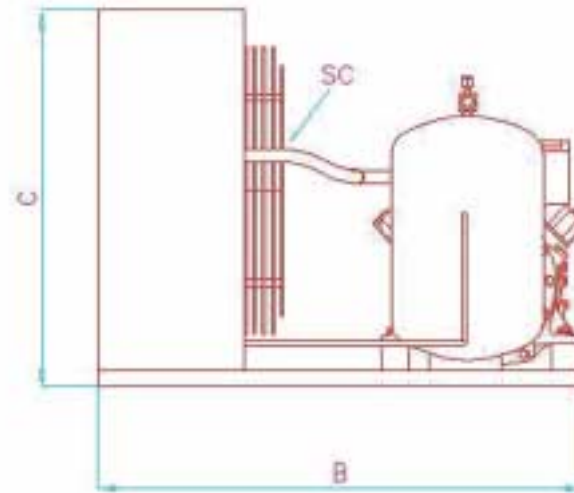
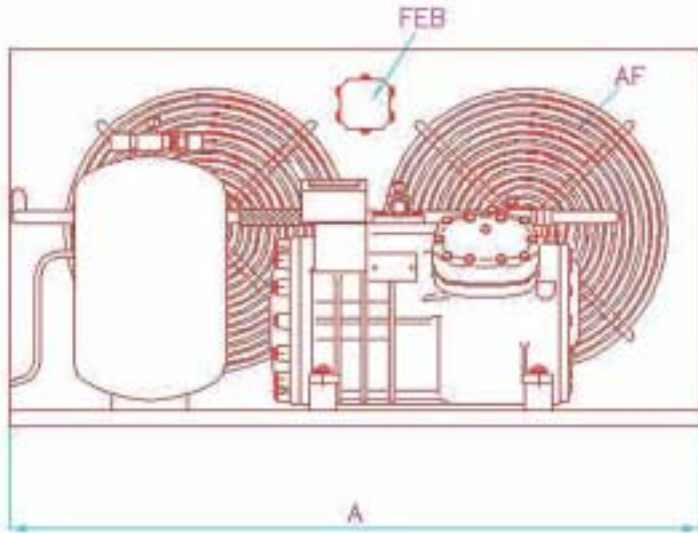


CONNECTIONS AND FITTINGS	
SV	Suction Service Valve
DV	Discharge Service Valve
AC	Air-cooled Condenser
AF	Condenser Fan
LR	Liquid Receiver
LRV	Liquid Receiver Outlet Valve
FEB	Condenser Fan Wiring Box

Model 3	HEIGHT	LENGTH	WIDTH	BASE MOUNTING CENTRES			
	(mm)	(mm)	(mm)	D (mm)	E (mm)	F (mm)	G (mm)
SA 4 18 F-(1)/2	1000	700	563	970	15	360	70
SA 4 19 F-(1)/2	1000	700	565	970	15	360	70
SA 4 24 F-(1)/2	1000	700	563	970	15	360	70
SA 5 18 F-(1)/2	1385	820	789	1265	35	375	30
SA 5 25 F-(1)/2	1000	700	565	970	15	360	70
SA 7 25 F-(1)/2	1385	820	790	1295	35	375	30
SA 8 25 F-(1)/2	1000	820	565	970	15	360	70
SA 7 28 F-(1)/2	1385	820	790	1290	35	375	30

1ST ANGLE PROJECTION SCALE 1:8	GENERAL TOLERANCES MACHINED PARTS 0.25mm±0.50 SHEET METAL 0.50mm±0.50 FITTINGS 1.00mm±0.50 HOLE CENTRES 0.50mm UNLESS OTHERWISE SPECIFIED		<b>HUBBARD</b> SOLUTIONS HULLHALL STAY, PRINCEL POOL TEL: 01473 69002 FAX: 01473 69007 © 2002 HHS, OLEY, BENCH	
	MATERIAL AS ABOVE DRN BY S.W DATE 30/05/03 SCALE 1:8 PERS S/C		TITLE SA UNIT OUTLINE MODEL 3 MODEL SA DES NO D2261 CHECKED RJP	

Drawing No 3



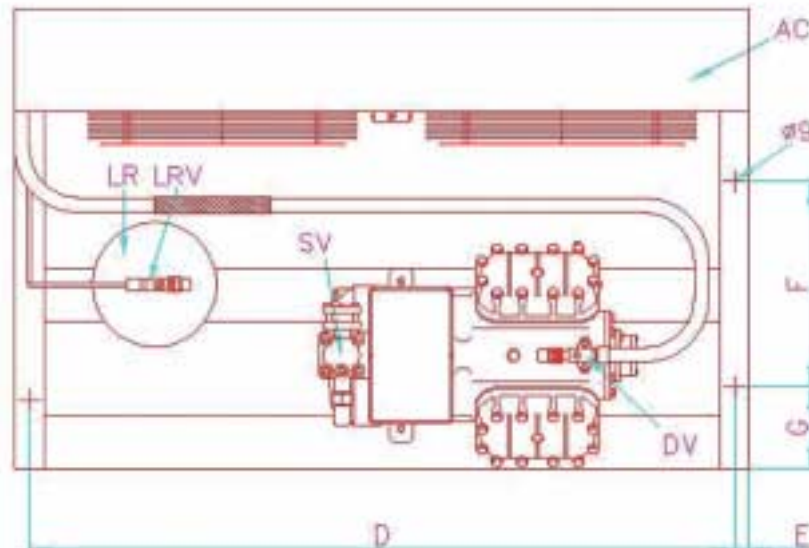
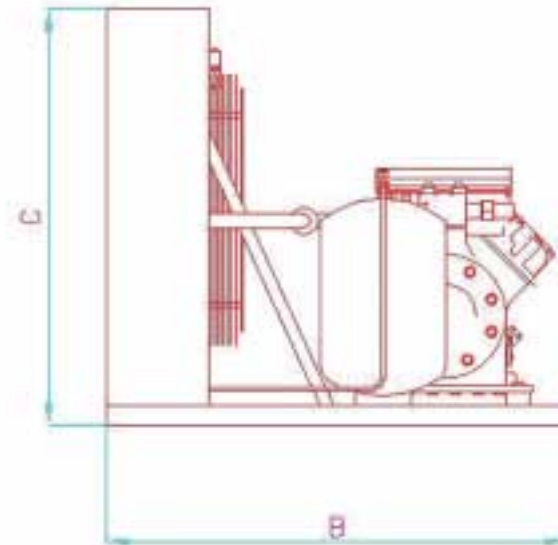
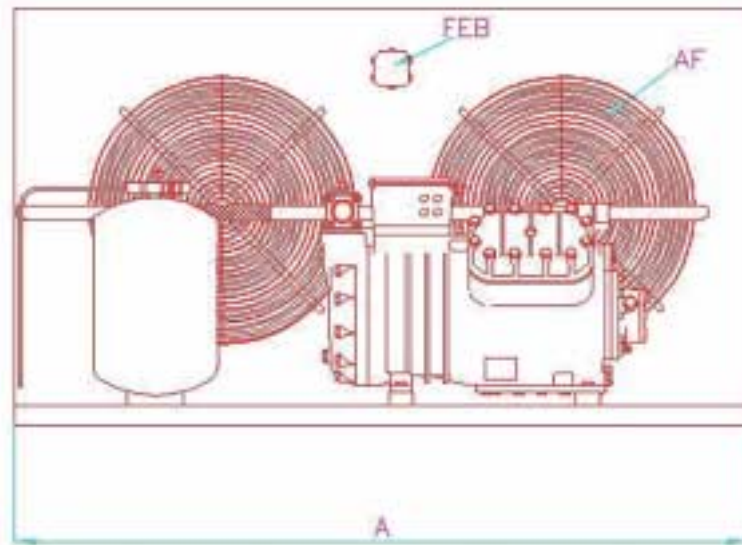
**CONNECTIONS AND FITTINGS**

SV	Suction Service Valve
DV	Discharge Service Valve
AC	Air-cooled Condenser
AF	Condenser Fan
LR	Liquid Receiver
LRV	Liquid Receiver Outlet Valve
FEB	Condenser Fan Wiring Box

MODEL 4	BASE MOUNTING CENTRES						
	A (mm)	B (mm)	C (mm)	D (mm)	E (mm)	F (mm)	G (mm)
SA 5-325/2	1000	830	565	970	15	300	70
SA 7-325/2	1385	830	790	1395	35	375	30
SA 7-395/2	1360	830	790	1395	35	375	30
SA 10-395/2	1015	830	850	1445	35	375	30
SA 10-615/2	1385	830	790	1395	35	375	30
SA 15-615/2	1015	830	930	1445	35	375	30
SA 15-565/2	1015	830	850	1445	35	375	30
SA 20-565/2	1015	830	850	1445	35	375	30

		HUBBARD VALVE, SPRING, SH-HP TEL: 011-7598000 FAX: 011-7598000 @PUNJABIAN HILLTOPS © 2007 HYS (I) PVT. LIMITED	
GENERAL TOLERANCES MACHINED PARTS ±0.25mm±0.50 DIECAST METAL ±0.50mm±1.00 F.P.F.WORK ±1.00mm±3.00 HOLE CENTRES ±0.25mm UNLESS OTHERWISE SPECIFIED		TITLE <b>SA UNIT OUTLINE                  MODEL 4</b>	
MATERIAL AS ABOVE		MODEL SA	
DRAWN BY S.W DATE 03/06/03 SCALE 1:7 CHECKED S/C		SHEET NO D2262	
NO	DATE	CON NO	CHECKED (RJP)

Drawing No 4



**CONNECTIONS AND FITTINGS**

SV	Discharge Service Valve
DV	Discharge Service Valve
AC	Air-cooled Condenser
AF	Condenser Fan
LR	Liquid Receiver
LROV	Liquid Receiver Outlet Valve
FEB	Condenser Fan Wiring Box

MODEL 5	LENGTH	WIDTH	HEIGHT	BASE MOUNTING CENTRES			
	A (mm)	B (mm)	C (mm)	D (mm)	E (mm)	F (mm)	G (mm)
SA 20 55 V-(Y)/2	1515	820	850	1445	35	375	30
SA 15 71 V-(Y)/2	1365	820	780	1295	35	375	30
SA 25 71 V-(Y)/2	1515	820	850	1445	35	375	30
SA 20 84 V-(Y)/2	1515	820	850	1445	35	375	30
SA 30 84 V-(Y)/2	1515	920	1200	1445	35	375	30
SA 25 108 V-(Y)/2	1515	920	1200	1445	35	375	30
SA 30 126 V-(Y)/2	1515	920	1200	1445	35	375	30

		<b>GENERAL TOLERANCES</b> MACHINED PARTS ±0.25mm±0.50 SHEET METAL ±0.25mm±0.50 PIPEWORK ±1.00mm±3.00 HOLE CENTRES ±0.25mm UNLESS OTHERWISE SPECIFIED				HULLING, COLEY, PERROW, PERROW TEL: 01474 650000 FAX: 01474 650001 © 2002 HUBBARD SOLUTIONS	
MATERIAL AS ABOVE		FILE SA UNIT OUTLINE MODEL 5		MODEL SA		DRG NO D2263	
NO	DATE	DRW BY S.W.	DATE 30/05/03	SCALE 1:10	FRSH S/C	CHECKED	(R.P.)