



# Refrigeration & Air Conditioning Control Valves

for R22 - R134a - R404A - R507

Catalog 611F/USA  
January 2000



FLO-CON  
Refrigerating  
Specialties

# Parker Refrigerating Specialties Commercial Control Valves - Selection Guide

Valve Type	Valve Description	Typical Applications	Reference Bulletin
A8A, A81, A82	Inlet, or Upstream Pressure Regulator	Evaporator Pressure Control Discharge Pressure Regulator Liquid Drain Regulator Defrost Relief Regulator	Bulletin 25-94B
A8AS, A81S, A82S	Inlet Pressure Regulator w/ Electric Shut- Off Feature	Evaporator Pressure Control	
A8AB, A81B, A82B	Inlet Pressure Regulator w/ Electric Bypass Feature	Discharge Pressure Regulator	
A8AL, A81L, A82L A4AL	Differential Pressure Regulator	Discharge Pressure Regulator Liquid Feed Regulator	
A8ABL, A81BL, A82BL A4ABL	Differential Pressure Regulator w/ Electric Bypass Feature	Discharge Pressure Regulator Liquid Feed Regulator	
A8AOE, A81OE, A82OE	Outlet Pressure Regulator	Crankcase Pressure Regulator Hot Gas Bypass Regulator Receiver Pressure Regulator	Bulletin 25-94B
A8AOES, A81OES, A82OES	Outlet Pressure Regulator w/ Electric Shut- Off Feature	Hot Gas Bypass Regulator	
PORT, PORT-II	Inlet, or Upstream Pressure Regulator	Evaporator Pressure Control	Bulletins 26-01 & 26-02
(S)PORT, (S)PORT-II	Inlet Pressure Regulator w/ Electric Shut-Off Feature	Evaporator Pressure Control	
(S)PORT-B, (S)PORT-II-B	Inlet Pressure Regulator w/ Electric Shut-Off and Bypass Features	Evaporator Pressure Control	
A9	Outlet Pressure Regulator	Receiver Pressure Regulator	Bulletin 25-95D
A9E	Outlet Pressure Regulator w/ External Equalizer	Hot Gas Bypass Regulator	
A9S	Outlet Pressure Regulator w/ Electric Shut-Off Feature	Receiver Pressure Regulator	
A9SE	Outlet Pressure Regulator w/ Electric Shut-Off Feature, and External Equalizer	Hot Gas Bypass Regulator	
CK4A	Flanged In Line Check Valve	Liquid Drain Check Valve Condenser Bypass Check Valve	Bulletin 50-16C
SC1, SC2	Suction Line Solenoid Valves	Control (open/close) of Suction Lines for Defrost	Bulletin 33-00
S81, S82	General Purpose Refrigeration Solenoid Valve	Control (open/close) of Suction Lines Hot Gas Feed Solenoid Liquid Supply Solenoid	Bulletin 32-00

# Table of Contents

**Product Overview ..... 4**

**(S)PORT - (S)PORT-II Evaporator Pressure Regulators ..... 6**

**A8, (S)PORT, and SC Suction Capacities ..... 8**

**A8 Pressure Regulators ..... 16**

**A9 Pressure Regulators ..... 18**

**CK4 Check Valve ..... 20**

**CK4 Liquid Drain Capacities ..... 22**

**Condenser Pressure Controls ..... 26**

**A8 Liquid Drain Capacities ..... 28**

**A8 Discharge Capacities ..... 32**

**CK4A Hot Gas Discharge Capacities ..... 40**

**Condenser Bypass Capacities ..... 48**

**Hot Gas Bypass ..... 56**

**Hot Gas Bypass Capacities ..... 58**

**Discharge Regulators for Supermarket Applications ..... 62**

**Crankcase Pressure Regulators ..... 63**

**SC Suction Solenoid Valves ..... 64**

**S81 / S82 Solenoid Valves ..... 66**

**Temperature Pressure Chart ..... 68**

**Reference Material ..... 72**

**Offer of Sale ..... 74**

## Product Overview

With more than 30 years of commercial refrigeration control valve design and manufacturing experience, the Parker Refrigerating Specialties product line has evolved to include a wide variety of regulators, solenoid valves, and in-line check valves designed for precise and reliable control in both supermarket and field built halocarbon systems. Included in this expanded family of refrigeration components are high capacity pilot operated regulators and solenoid valves in extended port and connection size combinations. The highest capacity non-flanged regulators and solenoid valves available in the industry are included in this unique combination of control valves. Considering their application in larger systems, one control valve may be used in place of a competitor's parallel valve combination in some instances.

Parker Refrigerating Specialties commercial pilot operated regulators are modular by design, and are superior to direct operated valves in their ability to maintain a precise control of set point, despite changes in load. With a parabolic plug design as a standard feature throughout this line of regulators, a linear relationship exists between the main valve opening and the valve's capacity. The result is a steady set point and precise control, even at varying or low flow conditions.

As an added benefit, Parker Refrigerating Specialties pilot operated solenoid valves in the SC and S8 series utilize the same bodies, cartridges, and solenoid coil assemblies as their (S)PORT and A8 regulator counterparts. In many instances, capacities can be changed by simply changing cartridges, a feature common throughout both lines of regulators and solenoid valves.

Parker Refrigerating Specialties product bulletins are also available for all valve types covered throughout this 611E condensed catalog. Product bulletins cover a variety of details such as dimensions, cutaway views, and specific information related to valve operation, which is not included within the context of this catalog. Product bulletin numbers are referenced in the selection guide matrix on page 2 and are readily available upon request.

## A8 Pressure Regulators

Initially introduced as the A7, the current A8 pressure regulator is designed with flexibility in mind, covering both high and low side applications in commercial refrigeration systems. A dual range spring, standard in all A8 regulators (with the exception of the differential version), allows the valve to control at any set point within a 10" Hg to 400 psi (250mm Hg to 27.6 bar) pressure range. Three body sizes define the A8 line. The A8A is the smallest of the three, the A81 covers the mid-range applications, and the A82 is the largest. Along with the standard A8 inlet pressure regulator, optional variations include inlet regulators with electric shut off features (A8AS, A81S, A82S) and wide opening or bypass features (A8\_B). In addition, outlet pressure regulators (A8\_OE), outlet regulators with electric shut-off features (A8\_OES), differential pressure regulators (A8\_L), and differential regulators with wide opening features (A8\_BL) round out the product line. Eight different "port" sizes (or capacity cartridges) are available in the A8 family of regulators with connection sizes ranging from 7/8" (22mm) up to 2-5/8" (66mm). All A8 regulators are ductile iron bodied valves with brazed copper couplings. Valve cartridges are also made of ductile iron. A water resistant class "H" coil enclosed in a general purpose coil housing is supplied as standard with any A8 regulator version. Solenoid coils can be supplied either with twin leads or with DIN connectors.



## (S)PORT / (S)PORT II Pressure Regulators

The (S)PORT and (S)PORT-II pressure regulators are a unique line of valves designed specifically for evaporator pressure control in commercial supermarket applications. All (S)PORT regulators are designed to control in a pressure range of 10" Hg to 120 psig (250mm Hg to 8.3 bar). The original (S)PORT, introduced several years ago, continues to be manufactured with a ductile iron body and cartridge assembly. The (S)PORT-II, a more recent addition to the line, is made of completely corrosion resistant materials including aluminum bronze bodies and cartridge assemblies, and stainless steel bolts and adjusting stems. (S)PORT regulators are available in three common versions typically applied on low side applications: A standard upstream pressure regulator, or PORT, a regulator combined with an electric shut-off feature, or (S)PORT, and a unique combina-



tion of electric shut and bypass feature, the (S)PORT-B. The (S)PORT version is typically applied on a refrigeration circuit utilizing hot gas for defrosting purposes, while the (S)PORT-B offers the same capability in addition to a wide opening, or bypass feature, for quick pull down during start up or after a circuit's hot gas defrost period has been terminated. A water resistant class F coil and open frame coil housing is standard on the (S)PORT regulator line. Solenoid coils with DIN connectors can also be supplied.

## S8 Solenoid Valves

S8 solenoid valves are flexible by design, suitable for discharge gas applications or as a liquid feed valve. S8 solenoid valves can also be applied on a low side (suction line) application. If (S)PORT pressure regulators are being considered, however, on a supermarket rack system for example, the Refrigerating Specialties "SC" solenoid valve would be a better option (see description below) as suction shut-off devices. Overall, the design of the S8 solenoid valve with regards to its major components, complements that of the A8 regulator. That is, the valve bodies, cartridge assemblies, solenoid operators, and solenoid coils are identical to those used on the A8 regulator line. The same class "H" coil and general purpose coil housing which are standard throughout the A8 regulator line are supplied with the S8 solenoid. Along with the A8 line of regulators, solenoid coils with DIN connectors are also available.



## SC Solenoid Valves

The "SC" line of solenoid valves were designed to complement (S)PORT pressure regulators in both appearance and construction. Components such as valve bodies, cartridges, solenoid operators, and solenoid coils are interchangeable between the SC solenoid and (S)PORT regulator lines of valves. Like the (S)PORT regulator, the SC solenoid is available with either ductile iron materials (both body and cartridge) or corrosion resistant aluminum bronze materials. With the (S)PORT regulator and SC solenoid combination, any suction line control requirement can be satisfied while maintaining reliable performance and common appearance. The SC line of solenoids utilizes the same water resistant class F coil and open frame coil housing which is standard with the (S)PORT line of regulators.



## A9 Pressure Regulators

A9 outlet pressure regulators utilize a compact design unique to the Refrigerating Specialties line of regulators, and are applied most typically as hot gas bypass or receiver pressure control valves. Four port sizes ranging from 3/8" (9mm) through 1-1/8" (28mm) are available. Utilizing a pilot operated design for stable control of set point, the A9E is typically used as a hot gas bypass regulator. The A9E regulator, when used in a hot gas bypass application, is externally equalized to suction pressure, or the pressure being controlled. Through years of reliable performance, it has become a standard on a variety of OEM equipment where precise suction pressure control is required for stable system operation. The A9, an internally equalized regulator which senses and controls immediate downstream pressure, is typically applied as a receiver pressure control valve for those systems using regulators for condenser pressure control on air cooled condensers.



## CK4A In Line Check Valves

CK4A in line check valves are versatile spring closing disc check valves, used for most hot gas and liquid line applications. The CK4 series of check valves are a flanged family of check valves, utilizing a gasketed refrigeration style tongue-and-groove ODS flange for commercial applications. Eight port sizes are available ranging from 1/2" (13mm) through 4" (100mm). Up through and including the 2" port size valve, three different ODS connection sizes are available for each port size valve to accommodate a reduced capacity valve in larger lines. All valves are made to tight seat leakage specifications, utilizing a lapped metal-to-metal seat design. The pressure drop required to open the valve fully is about .75 psi. Because of its spring closing design, CK4 check valves can be installed in both vertical and horizontal pipe lines.



# (S)PORT - (S)PORT-II Evaporator Pressure Regulators

## Features

- Highest capacity commercial regulator in the industry.
- Sweat-in-place without disassembly.
- Interchangeable capacity cartridges.
- Low pressure drop.
- Manual opening stem.
- Variations include electric shut-off along with bypass and shut-off feature.
- (S)PORT-II with corrosion resistant aluminum bronze construction.
- All stainless steel bolts, stem, locking nut, piston and plug.
- Dual voltage 208/240/60 Hz coil.



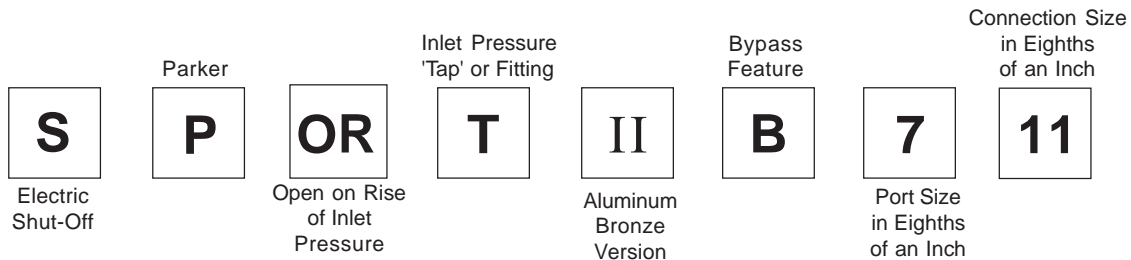
## Specifications

- Design pressure (M.R.P.): 450 psig (31.0 bar)
- Minimum fluid temperature -40° F (-40° C)
- Operating range: 10" Hg to 120 psig (250 mm Hg to 8.3 bar)
- UL listed (except 50 Hz versions), file SA5473
- CSA certified, file LR20991-14

## Standard Voltages

- 120V/60Hz, 110V/50Hz
- 208V/240V/60Hz, 220V/50Hz
- 240V/50Hz
- 240V/60Hz, 220V/50Hz (DIN)
- 240V/50Hz (DIN)

## Valve Nomenclature



## (S)PORT Port/Connection Size Combinations

Type	Port Size	Connection Sizes Available
(S)PORT or (S)PORT-II	03 (3/8", 9mm)	07, 09, 11, 13, 17 (7/8" /22mm, 1-1/8" /28mm, 1-3/8" /35mm, 1-5/8" /42mm, 2-1/8" /54mm)
	05 (5/8" 15mm)	07, 09, 11, 13, 17 (7/8" /22mm, 1-1/8" /28mm, 1-3/8" /35mm, 1-5/8" /42mm, 2-1/8" /54mm)
	07 (7/8", 22mm)	07, 09, 11, 13, 17 (7/8" /22mm, 1-1/8" /28mm, 1-3/8" /35mm, 1-5/8" /42mm, 2-1/8" /54mm)
	09 (1-1/8", 28mm)	07, 09, 11, 13, 17 (7/8" /22mm, 1-1/8" /28mm, 1-3/8" /35mm, 1-5/8" /42mm, 2-1/8" /54mm)
	11 (1-3/8", 35mm)	09, 11, 13, 17 (1-1/8" /28mm, 1-3/8" /35mm, 1-5/8" /42mm, 2-1/8" /54mm)
(S)PORT	13 (1-5/8", 42mm)	13, 17, 21 (1-5/8" /42mm, 2-1/8" /54mm, 2-5/8" /66mm)
	17 (2-1/8", 54mm)	17, 21 (2-1/8" /54mm, 2-5/8" /66mm)
	21 (2-5/8", 66mm)	21 (2-5/8", 66mm)

*\*(NOTE: (S)PORT-II regulators have same port/ connection combinations as standard (S)PORT regulators but are not available in the 13, 17, or 21 port size versions).*

**Description:** Unlike other Parker Refrigerating Specialties regulators, (S)PORT regulators utilize a unique numbering system identifying port & connection size values in eighths of an inch (see previous page). For example, a 7/8" port size by 1-1/8" connection size valve would be identified as a (S)PORT 07-09, with the valves port size being the first numerical value in the description (in eighths of an inch), and the connection size being the second value. All (S)PORT cartridges are externally stamped with the plug or port size using this same numbering system for field identification purposes.

(S)PORT evaporator pressure regulators are available in two versions, each with their own distinct material characteristics; the original (S)PORT, and the (S)PORT-II. The original (S)PORT utilizes a ductile iron body with brazed copper couplings along with a ductile iron cartridge assembly. The original (S)PORT is available in eight port sizes ranging from a 3/8" (03) to 2-5/8" (21) and with connection sizes up to 2-5/8" (21). A 1/4" SAE flare access fitting is standard on the upstream side of the valve's cartridge assembly. An open frame, class F leaded coil is provided as standard with all (S)PORT regulators. A class H coil with DIN connector is also available with certain voltages.

The (S)PORT-II, a more recent introduction, is made completely with corrosion resistant materials. Both the body and cartridge are an aluminum-bronze material, with the adapter and bonnet being aluminum. In addition, stainless steel bonnet bolts and adjusting stems are standard on all (S)PORT-II regulators. In contrast to the original (S)PORT, five port sizes are offered with the (S)PORT-II style of regulator, ranging from 3/8" (03) to 1-3/8" (11). The same open-frame coil housing which is standard on the (S)PORT is supplied with the (S)PORT-II. The access fitting on the (S)PORT-II is located on the upstream side of the valve body, and positioned to easily connect a gauge fitting for servicing. The (S)PORT-II design specifically targets the rigorous application of a commercial evaporator pressure regulator - particularly those applications with hot gas defrost circuits. The corrosion resistant design of the (S)PORT-II is capable of withstanding the cooling and heating cycles to which these types of regulators are continually exposed.

All (S)PORT regulators are designed to be applied as a low side (evaporator) pressure regulator only. They are capable of being set to control pressures within a 10" to 120 psig (250mm Hg through 8.3 bar) range. For high side regulator applications, the Refrigerating Specialties A8 regulator should be considered.

**Variations:** PORT or PORT-II: Standard Inlet pressure regulator. (S)PORT or (S)PORT-II: Inlet pressure regulator with an electric shut-off feature. (S)PORT-B or

(S)PORT-II-B. Inlet pressure regulator with an electric shut-off and electric wide opening, (or bypass) feature.

**Installation:** (S)PORT regulators use a spring loaded solenoid plunger design which assists the plunger in closing off tightly against the solenoid pilot seat regardless of position or orientation. The regulator can therefore be installed in either a horizontal or vertical pipe line regardless of the type of (S)PORT valve being installed (i.e. with or without a pilot solenoid).

When brazing in line, typically a wet cloth wrapped around the valve body is recommended to dissipate heat. **If a valve is disassembled prior to installation, always have the correct gasket/ O-ring kit available for reassembly.** The internal cartridge-to-body O-ring will need to be replaced prior to reassembly.

**Adjustment:** Adjustment of a regulators set point requires that the pressure being controlled be monitored by an accurate pressure gauge. Turning the valves adjusting screw clockwise (into the bonnet) compresses the range spring and subsequently raises the valves set point. Conversely, turning the adjusting stem counter-clockwise will decrease the valves set point. Adjusting the set point of a (S)PORT regulator must be made with the solenoid energized, and the manual opening stem turned in. The inlet side solenoid only is required to be energized to adjust the set point on a (S)PORT-B. Depending on system design and system conditions, the pressure gauge may reflect some delay before a change in a regulator's set point actually results in a change in the pressure being maintained.

**Electrical:** All (S)PORT regulator versions utilize a molded water resistant class "F" solenoid coil with open frame housing as standard. A class "H" DIN coil is also available with certain voltages. Coils are designed to operate with line voltage from 85% to 110% of rated coil voltage. Operating with a coil voltage above or below these limits may result in coil burnout. Also, operating with a coil voltage below this limit will result in lowering the valves maximum opening pressure differential, or MOPD. Power consumption during normal operation will be 10 watts or less. The 208/240/60 Hz wide voltage range coil used on all (S)PORT regulators is rated at 280 MOPD. All other coils are rated at 300 MOPD.

**Ordering Guide:** Specify valve type (PORT, (S)PORT, (S)PORT-II, etc.), port and connection size in eighths of an inch (port size indicated first), and voltage, if applicable.

**A8, (S)PORT & SC Suction Capacities (Tons)**

**R22**

Evap Temp °F	Pres Drop	03	05	07	09	11	13	17	21
Evap Pres. psig	psi	3/8" 9 mm	5/8" 15 mm	7/8" 22 mm	1-1/8" 28 mm	1-3/8" 35 mm	1-5/8" 42 mm	2-1/8" 54 mm	2-5/8" 66 mm
50° F 84 psig	1	0.74	1.88	2.65	3.37	5.97	8.90	15.66	20.06
	3	1.26	3.20	4.53	5.77	10.20	15.22	26.77	34.25
	5	1.59	4.08	5.77	7.36	12.99	19.41	34.09	43.60
	10	2.15	5.55	7.91	10.11	17.75	26.58	46.55	59.45
40° F 68.5 psig	1	0.67	1.70	2.40	3.06	5.42	8.08	14.22	18.20
	3	1.14	2.90	4.10	5.23	9.24	13.79	24.24	31.01
	5	1.44	3.68	5.22	6.66	11.73	17.53	30.79	39.36
	10	1.92	4.98	7.11	9.09	15.92	23.87	41.76	53.30
30° F 54.9 psig	1	0.61	1.54	2.17	2.77	4.90	7.31	12.86	16.46
	3	1.02	2.61	3.70	4.72	8.33	12.43	21.85	27.95
	5	1.29	3.31	4.69	5.99	10.55	15.77	27.67	35.36
	10	1.70	4.43	6.34	8.12	14.19	21.30	37.21	47.46
20° F 43.0 psig	1	0.55	1.39	1.96	2.49	4.41	6.58	11.57	14.82
	3	0.92	2.34	3.32	4.23	7.47	11.16	19.59	25.06
	5	1.15	2.95	4.19	5.36	9.42	14.10	24.71	31.57
	10	1.49	3.91	5.62	7.20	12.54	18.85	32.88	41.89
10° F 32.7 psig	1	0.49	1.24	1.75	2.23	3.95	5.89	10.37	13.27
	3	0.81	2.09	2.96	3.78	6.66	9.95	17.46	22.33
	5	1.01	2.61	3.72	4.76	8.35	12.51	21.91	27.98
	10	1.29	3.41	4.92	6.33	10.96	16.51	28.74	36.57
0° F 23.9 psig	1	0.43	1.11	1.56	1.99	3.52	5.25	9.24	11.82
	3	0.72	1.85	2.62	3.35	5.89	8.81	15.46	19.76
	5	0.88	2.30	3.28	4.20	7.35	11.01	19.27	24.58
	10	1.09	2.93	4.27	5.49	9.46	14.29	24.79	31.50
-10° F 16.4 psig	1	0.38	0.98	1.38	1.76	3.12	4.65	8.18	10.47
	3	0.63	1.62	2.31	2.95	5.18	7.75	13.58	17.34
	5	0.76	1.99	2.86	3.67	6.39	9.60	16.77	21.38
	10	0.91	2.47	3.64	4.70	8.02	12.17	21.02	26.64
-20° F 10.1 psig	1	0.34	0.86	1.22	1.55	2.74	4.09	7.19	9.20
	3	0.54	1.41	2.01	2.57	4.50	6.75	11.81	15.08
	5	0.65	1.71	2.47	3.17	5.50	8.27	14.41	18.34
	10	0.73	2.04	3.04	3.94	6.65	10.14	17.41	21.98
-30° F 4.8 psig	1	0.29	0.75	1.06	1.36	2.39	3.57	6.28	8.03
	3	0.46	1.21	1.73	2.22	3.87	5.81	10.15	12.95
	5	0.54	1.44	2.09	2.70	4.65	7.02	12.18	15.47
	10	0.56	1.61	2.46	3.22	5.32	8.19	13.93	17.49
-40° F 0.5 psig	1	0.25	0.65	0.92	1.18	2.07	3.10	5.43	6.95
	3	0.39	1.02	1.47	1.89	3.28	4.94	8.60	10.95
	5	0.43	1.18	1.74	2.25	3.84	5.83	10.07	12.75
	10	0.43	1.23	1.90	2.52	4.06	6.31	10.63	13.34

Capacities are based on 100° F liquid, 10° F superheat at valve inlet, and are maximum for the conditions listed. For each 10° F liquid is below 100° F, INCREASE capacity values by 4%. (\*Sizing charts are also for Crankcase Pressure Regulators in sizes to 2 1/8 port only.)

**NOTE:** Due to conditions encountered with refrigeration circuits utilizing hot gas for defrosting purposes, a maximum pressure drop of 3 psi should be used in the regulator selection process. If a pressure drop of more than 3 psi is considered, the regulator could become restrictive after the termination of a defrost cycle, thereby requiring an extended pull down period. The shaded areas of the suction tables designate regulator capacities above a 3 psi pressure drop, and should not be considered for these types of systems.



**A8, (S)PORT & SC Suction Capacities (Kilowatts)**

**R22**

Evap Temp °C	Pres Drop	03	05	07	09	11	13	17	21
Evap Pres. Bar	bar	3/8"	5/8"	7/8"	1-1/8"	1-3/8"	1-5/8"	2-1/8"	2-5/8"
		9 mm	15 mm	22 mm	28 mm	35 mm	42 mm	54 mm	66 mm
10° C 5.8 bar	0.07	2.57	6.53	9.20	11.71	20.76	30.95	54.47	69.74
	0.2	4.27	10.88	15.37	19.59	34.65	51.70	90.91	116.34
	0.4	5.88	15.07	21.35	27.25	48.04	71.78	126.04	161.16
	0.8	7.86	20.39	29.11	37.24	65.23	97.77	171.09	218.37
5° C 4.8 bar	0.07	2.36	5.98	8.43	10.74	19.03	28.37	49.93	63.93
	0.2	3.90	9.95	14.07	17.93	31.70	47.30	83.16	106.41
	0.4	5.35	13.73	19.48	24.87	43.80	65.49	114.92	146.90
	0.8	7.08	18.44	26.39	33.79	59.07	88.62	154.91	197.59
0° C 4 bar	0.07	2.15	5.46	7.70	9.81	17.38	25.91	45.59	58.37
	0.2	3.55	9.06	12.82	16.34	28.87	43.10	75.74	96.90
	0.4	4.84	12.45	17.69	22.59	39.74	59.44	104.25	133.21
	0.8	6.32	16.56	23.78	30.48	53.13	79.80	139.31	177.56
-5° C 3.2 bar	0.07	1.96	4.97	7.01	8.93	15.82	23.59	41.51	53.14
	0.2	3.22	8.22	11.64	14.84	26.20	39.13	68.74	87.93
	0.4	4.35	11.23	15.99	20.43	35.89	53.72	94.14	120.25
	0.8	5.60	14.77	21.29	27.32	47.46	71.41	124.44	158.45
-10° C 2.6 bar	0.07	1.77	4.51	6.36	8.11	14.35	21.41	37.66	48.21
	0.2	2.90	7.43	10.53	13.43	23.68	35.38	62.14	79.46
	0.4	3.89	10.08	14.38	18.39	32.24	48.30	84.56	107.96
	0.8	4.90	13.05	18.91	24.31	42.05	63.40	110.23	140.19
-15° C 1.98 bar	0.07	1.60	4.07	5.75	7.32	12.96	19.33	34.01	43.53
	0.2	2.60	6.67	9.47	12.08	21.29	31.82	55.84	71.39
	0.4	3.45	8.98	12.84	16.44	28.75	43.12	75.40	96.19
	0.8	4.23	11.40	16.62	21.42	36.83	55.68	96.53	122.56
-20° C 1.46 bar	0.07	1.44	3.66	5.17	6.59	11.65	17.38	30.57	39.12
	0.2	2.32	5.96	8.46	10.81	19.02	28.45	49.89	63.75
	0.4	3.03	7.93	11.38	14.59	25.43	38.20	66.68	84.99
	0.8	3.58	9.80	14.43	18.65	31.81	48.27	83.35	105.59
-25° C 1.0 bar	0.07	1.28	3.27	4.62	5.89	10.42	15.55	27.34	34.98
	0.2	2.05	5.28	7.52	9.61	16.88	25.27	44.27	56.54
	0.4	2.62	6.93	9.99	12.83	22.27	33.52	58.39	74.34
	0.8	2.95	8.27	12.32	15.98	26.98	41.15	70.66	89.23
-30° C 0.63 bar	0.07	1.14	2.91	4.11	5.24	9.26	13.83	24.30	31.09
	0.2	1.79	4.64	6.63	8.48	14.86	22.27	38.96	49.73
	0.4	2.24	5.97	8.67	11.16	19.26	29.07	50.49	64.18
	0.8	2.35	6.78	10.28	13.42	22.31	34.27	58.37	73.39
-40° C 0.04 bar	0.07	0.88	2.25	3.19	4.07	7.18	10.73	18.83	24.07
	0.2	1.32	3.47	5.00	6.42	11.16	16.78	29.26	37.26
	0.4	1.51	4.19	6.22	8.07	13.66	20.80	35.78	45.23
	0.8	1.49	4.24	6.50	8.56	13.99	21.61	36.59	45.92

Capacities are based on 40° C liquid, 5° C superheat at valve inlet, and are maximum for the conditions listed. For each 5° C liquid is below 40° C, INCREASE capacity values by 7%. (\*Sizing charts are also for Crankcase Pressure Regulators in sizes to 2 1/8 port only.)

**NOTE:** Due to conditions encountered with refrigeration circuits utilizing hot gas for defrosting purposes, a maximum pressure drop of .20 bar should be used in the regulator selection process. If a pressure drop of more than .20 bar is considered, the regulator could become restrictive after the termination of a defrost cycle, thereby requiring an extended pull down period. The shaded areas of the suction tables designate regulator capacities above a .20 bar pressure drop, and should not be considered for these types of systems.

## A8, (S)PORT &amp; SC Suction Capacities (Tons)

## R134a

Evap Temp °F	Pres Drop	03 3/8"	05 5/8"	07 7/8"	09 1-1/8"	11 1-3/8"	13 1-5/8"	17 2-1/8"	21 2-5/8"
Evap Pres. psig	psi	9 mm	15 mm	22 mm	28 mm	35 mm	42 mm	54 mm	66 mm
50° F 84 psig	1	0.58	1.47	2.07	2.64	4.67	6.96	12.25	15.68
	3	0.97	2.48	3.51	4.48	7.90	11.80	20.73	26.51
	5	1.21	3.12	4.44	5.67	9.96	14.91	26.14	33.39
	10	1.57	4.13	5.94	7.61	13.25	19.92	34.74	44.25
40° F 68.5 psig	1	0.51	1.31	1.84	2.35	4.16	6.20	10.91	13.97
	3	0.86	2.20	3.11	3.97	7.00	10.47	18.38	23.49
	5	1.06	2.75	3.92	5.01	8.79	13.16	23.05	29.43
	10	1.35	3.58	5.18	6.65	11.52	17.36	30.20	38.43
30° F 54.9 psig	1	0.46	1.16	1.64	2.08	3.69	5.50	9.67	12.38
	3	0.75	1.93	2.75	3.51	6.17	9.23	16.18	20.68
	5	0.92	2.40	3.43	4.39	7.69	11.53	20.16	25.72
	10	1.14	3.06	4.46	5.74	9.89	14.95	25.93	32.93
20° F 43.0 psig	1	0.40	1.02	1.44	1.84	3.25	4.85	8.52	10.90
	3	0.65	1.69	2.40	3.07	5.39	8.07	14.14	18.07
	5	0.79	2.08	2.98	3.82	6.66	10.00	17.47	22.27
	10	0.94	2.58	3.79	4.89	8.36	12.68	21.90	27.75
10° F 32.7 psig	1	0.35	0.89	1.26	1.61	2.84	4.25	7.46	9.55
	3	0.56	1.46	2.08	2.67	4.67	7.00	12.25	15.64
	5	0.67	1.77	2.56	3.29	5.70	8.58	14.95	19.04
	10	0.75	2.12	3.15	4.09	6.91	10.54	18.09	22.85
0° F 23.9 psig	1	0.30	0.78	1.10	1.40	2.47	3.69	6.49	8.30
	3	0.48	1.25	1.79	2.29	4.00	6.01	10.50	13.39
	5	0.56	1.49	2.17	2.79	4.81	7.26	12.61	16.02
	10	0.57	1.68	2.55	3.34	5.53	8.51	14.48	18.19
-10° F 16.4 psig	1	0.26	0.67	0.95	1.21	2.13	3.19	5.59	7.15
	3	0.40	1.05	1.52	1.95	3.39	5.09	8.88	11.30
	5	0.45	1.23	1.80	2.33	3.98	6.03	10.41	13.20
	10	0.46	1.27	1.98	2.62	4.22	6.58	11.03	13.74

Capacities are based on 100° F liquid, 10° F superheat at valve inlet, and are maximum for the conditions listed. For each 10° F liquid is below 100 ° F, INCREASE capacity values by 4%. (\*Sizing charts are also for Crankcase Pressure Regulators in sizes to 2 1/8 port only.)

**NOTE:** Due to conditions encountered with refrigeration circuits utilizing hot gas for defrosting purposes, a maximum pressure drop of 3 psi should be used in the regulator selection process. If a pressure drop of more than 3 psi is considered, the regulator could become restrictive after the termination of a defrost cycle, thereby requiring an extended pull down period. The shaded areas of the suction tables designate regulator capacities above a 3 psi pressure drop, and should not be considered for these types of systems.

**A8, (S)PORT & SC Suction Capacities (Kilowatts)**

**R134a**

Evap Temp °C Evap Pres. Bar	Pres Drop bar	03	05	07	09	11	13	17	21
		3/8" 9 mm	5/8" 15 mm	7/8" 22 mm	1-1/8" 28 mm	1-3/8" 35 mm	1-5/8" 42 mm	2-1/8" 54 mm	2-5/8" 66 mm
10° C 3.13 bar	0.07	2.05	5.03	7.25	9.30	16.50	24.60	43.20	55.20
	0.2	3.38	8.73	12.10	15.60	27.60	41.30	72.50	92.60
	0.35	4.31	10.90	15.70	20.20	35.80	53.50	93.80	119.90
	0.7	5.54	14.50	20.90	26.90	47.50	71.00	124.60	159.20
5° C 2.48 bar	0.07	1.85	4.54	6.54	8.42	14.90	22.20	39.00	49.90
	0.2	3.02	7.56	10.90	14.00	24.80	37.10	65.10	83.10
	0.35	3.82	9.73	14.00	18.10	31.90	47.70	83.70	106.90
	0.7	4.82	12.80	18.40	23.70	41.80	62.50	109.70	140.20
0° C 1.92 bar	0.07	1.65	4.07	5.87	7.56	13.40	20.00	35.00	44.80
	0.2	2.68	6.75	9.73	12.50	22.10	33.10	58.00	74.20
	0.35	3.36	8.62	12.40	16.00	28.30	42.20	74.10	94.70
	0.7	4.13	11.10	16.00	20.60	36.40	54.40	95.50	122.00
-5° C 1.42 bar	0.07	1.47	3.64	5.24	6.75	11.90	17.80	31.30	40.00
	0.2	2.36	5.98	8.61	11.10	19.60	29.30	51.40	65.70
	0.35	2.92	7.56	10.90	14.00	24.80	37.10	65.00	83.10
	0.7	3.49	9.54	13.80	17.70	31.30	46.80	82.10	104.90
-10° C .993 bar	0.07	1.30	3.23	4.65	5.99	10.60	15.80	27.80	35.50
	0.2	2.06	5.25	7.57	9.75	17.20	25.80	45.20	57.70
	0.35	2.50	6.57	9.47	12.20	21.50	32.20	56.50	72.20
	0.7	2.88	8.08	11.60	15.00	26.50	39.60	69.50	88.80
-15° C .625 bar	0.07	1.15	2.85	4.10	5.28	9.34	14.00	24.50	31.30
	0.2	1.78	4.57	6.59	8.49	15.00	22.40	39.30	50.30
	0.35	2.12	5.64	8.12	10.50	18.50	27.60	48.50	61.90
	0.7	2.32	6.71	9.68	12.50	22.00	32.90	57.70	73.80
-20° C .3149 bar	0.07	1.00	2.50	3.60	4.63	8.19	12.20	21.50	27.40
	0.2	1.52	3.94	5.68	7.31	12.90	19.30	33.90	43.30
	0.35	1.76	4.77	6.87	8.85	15.60	23.40	41.00	52.40
	0.7	1.87	5.46	7.88	10.10	17.90	26.80	47.00	60.00

Capacities are based on 40° C liquid, 5° C superheat at valve inlet, and are maximum for the conditions listed. For each 5° C liquid is below 40° C, INCREASE capacity values by 7%. (\*Sizing charts are also for Crankcase Pressure Regulators in sizes to 2 1/8 port only.)

**NOTE:** Due to conditions encountered with refrigeration circuits utilizing hot gas for defrosting purposes, a maximum pressure drop of .20 bar should be used in the regulator selection process. If a pressure drop of more than .20 bar is considered, the regulator could become restrictive after the termination of a defrost cycle, thereby requiring an extended pull down period. The shaded areas of the suction tables designate regulator capacities above a .20 bar pressure drop, and should not be considered for these types of systems.

**A8, (S)PORT & SC Suction Capacities Tons) R404a**

Evap Temp °F	Pres Drop	03	05	07	09	11	13	17	21
Evap Pres. psig	psi	3/8"	5/8"	7/8"	1-1/8"	1-3/8"	1-5/8"	2-1/8"	2-5/8"
		9 mm	15 mm	22 mm	28 mm	35 mm	42 mm	54 mm	66 mm
50° F 84 psig	1	0.63	1.60	2.26	2.87	5.09	7.59	13.36	17.10
	3	1.08	2.74	3.87	4.93	8.71	13.00	22.87	29.26
	5	1.37	3.49	4.94	6.30	11.12	16.60	29.17	37.32
	10	1.85	4.78	6.80	8.68	15.26	22.84	40.03	51.14
40° F 68.5 psig	1	0.56	1.43	2.02	2.57	4.55	6.79	11.95	15.30
	3	0.96	2.44	3.45	4.40	7.78	11.61	20.42	26.13
	5	1.22	3.11	4.40	5.62	9.91	14.80	25.99	33.24
	10	1.64	4.23	6.03	7.71	13.52	20.25	35.47	45.29
30° F 54.9 psig	1	0.50	1.27	1.80	2.29	4.05	6.04	10.64	13.62
	3	0.85	2.17	3.07	3.91	6.91	10.31	18.13	23.19
	5	1.07	2.75	3.90	4.98	8.77	13.11	23.02	29.43
	10	1.43	3.72	5.31	6.79	11.89	17.83	31.19	39.80
20° F 43.0 psig	1	0.45	1.13	1.59	2.03	3.59	5.36	9.43	12.07
	3	0.75	1.92	2.71	3.46	6.10	9.11	16.01	20.48
	5	0.94	2.42	3.44	4.39	7.72	11.55	20.26	25.90
	10	1.24	3.24	4.64	5.94	10.38	15.58	27.21	34.70
10° F 32.7 psig	1	0.39	0.99	1.40	1.79	3.16	4.72	8.30	10.63
	3	0.66	1.68	2.38	3.03	5.35	8.00	14.04	17.96
	5	0.82	2.11	3.00	3.84	6.75	10.09	17.69	22.61
	10	1.06	2.79	4.01	5.15	8.96	13.47	23.49	29.92
0° F 23.9 psig	1	0.34	0.87	1.23	1.57	2.78	4.14	7.28	9.32
	3	0.57	1.46	2.08	2.65	4.67	6.98	12.25	15.66
	5	0.71	1.83	2.61	3.34	5.85	8.77	15.35	19.60
	10	0.90	2.38	3.44	4.42	7.66	11.54	20.07	25.53
-10° F 16.4 psig	1	0.30	0.76	1.07	1.37	2.42	3.61	6.34	8.11
	3	0.49	1.27	1.80	2.30	4.04	6.04	10.60	13.54
	5	0.60	1.57	2.25	2.87	5.03	7.54	13.18	16.81
	10	0.74	1.99	2.91	3.74	6.44	9.73	16.87	21.42
-20° F 10.1 psig	1	0.26	0.66	0.93	1.18	2.09	3.12	5.48	7.01
	3	0.42	1.08	1.54	1.97	3.46	5.18	9.08	11.59
	5	0.51	1.33	1.91	2.45	4.26	6.41	11.18	14.25
	10	0.60	1.64	2.41	3.12	5.31	8.06	13.91	17.61
-30° F 4.8 psig	1	0.22	0.56	0.80	1.01	1.79	2.67	4.70	6.01
	3	0.35	0.92	1.31	1.67	2.93	4.39	7.68	9.81
	5	0.42	1.11	1.60	2.06	3.56	5.37	9.34	11.88
	10	0.46	1.30	1.95	2.53	4.26	6.51	11.15	14.06
-40° F 0.5 psig	1	0.19	0.48	0.68	0.86	1.52	2.27	3.99	5.10
	3	0.29	0.76	1.09	1.40	2.45	3.67	6.41	8.17
	5	0.34	0.90	1.32	1.70	2.92	4.41	7.64	9.70
	10	0.34	0.99	1.52	1.99	3.27	5.06	8.56	10.73

Capacities are based on 100° F liquid, 10° F superheat at valve inlet, and are maximum for the conditions listed. For each 10° F liquid is below 100 ° F, INCREASE capacity values by 4%. (\*Sizing charts are also for Crankcase Pressure Regulators in sizes to 2 1/8 port only.)

**NOTE:** Due to conditions encountered with refrigeration circuits utilizing hot gas for defrosting purposes, a maximum pressure drop of 3 psi should be used in the regulator selection process. If a pressure drop of more than 3 psi is considered, the regulator could become restrictive after the termination of a defrost cycle, thereby requiring an extended pull down period. The shaded areas of the suction tables designate regulator capacities above a 3 psi pressure drop, and should not be considered for these types of systems.

**A8, (S)PORT & SC Suction Capacities (Kilowatts)**

**R404a**

Evap Temp °F	Pres Drop	03	05	07	09	11	13	17	21
Evap Pres. psig	bar	3/8"	5/8"	7/8"	1-1/8"	1-3/8"	1-5/8"	2-1/8"	2-5/8"
		9 mm	15 mm	22 mm	28 mm	35 mm	42 mm	54 mm	66 mm
10° C	0.07	2.15	5.46	7.70	9.80	17.37	25.90	45.59	58.37
5.8 bar	0.2	3.59	9.13	12.88	16.42	29.05	43.33	76.22	97.55
	0.4	4.95	12.67	17.94	22.89	40.38	60.32	105.95	135.51
	0.8	6.67	17.25	24.58	31.43	55.15	82.59	144.66	184.72
5° C	0.07	1.94	4.93	6.96	8.86	15.69	23.40	41.18	52.73
4.8 bar	0.2	3.23	8.23	11.62	14.81	26.19	39.08	68.73	87.95
	0.4	4.44	11.39	16.14	20.60	36.32	54.27	95.28	121.83
	0.8	5.94	15.41	22.00	28.15	49.31	73.90	129.32	165.06
0° C	0.07	1.75	4.44	6.27	7.98	14.14	21.08	37.10	47.50
4 bar	0.2	2.90	7.39	10.45	13.32	23.55	35.14	61.78	79.05
	0.4	3.97	10.20	14.47	18.47	32.54	48.64	85.35	109.11
	0.8	5.25	13.69	19.60	25.09	43.86	65.80	115.01	146.70
-5° C	0.07	1.57	3.99	5.62	7.16	12.68	18.91	33.28	42.60
3.2 bar	0.2	2.59	6.61	9.35	11.92	21.07	31.45	55.27	70.71
	0.4	3.53	9.08	12.90	16.48	28.99	43.36	76.05	97.17
	0.8	4.61	12.07	17.34	22.22	38.73	58.18	101.55	129.43
-10° C	0.07	1.40	3.56	5.02	6.39	11.32	16.88	29.70	38.03
2.6 bar	0.2	2.30	5.88	8.33	10.62	18.75	27.99	49.18	62.90
	0.4	3.11	8.03	11.43	14.61	25.66	38.42	67.32	85.98
	0.8	3.99	10.55	15.21	19.52	33.90	51.01	88.88	113.16
-15° C	0.07	1.24	3.16	4.46	5.68	10.06	15.00	26.40	33.79
1.98 bar	0.2	2.03	5.20	7.37	9.41	16.59	24.79	43.53	55.66
	0.4	2.72	7.06	10.07	12.88	22.57	33.82	59.20	75.57
	0.8	3.42	9.12	13.22	17.00	29.39	44.32	77.03	97.95
-20° C	0.07	1.10	2.80	3.95	5.03	8.91	13.29	23.38	29.92
1.46 bar	0.2	1.79	4.58	6.50	8.30	14.62	21.86	38.36	49.03
	0.4	2.36	6.16	8.81	11.28	19.72	29.59	51.73	65.99
	0.8	2.89	7.80	11.38	14.67	25.20	38.12	66.04	83.84
-25° C	0.07	0.97	2.46	3.48	4.43	7.84	11.69	20.56	26.31
1.0 bar	0.2	1.56	4.00	5.69	7.27	12.78	19.12	33.52	42.83
	0.4	2.03	5.32	7.64	9.79	17.06	25.63	44.73	57.00
	0.8	2.38	6.55	9.65	12.47	21.25	32.27	55.68	70.51
-30° C	0.07	0.84	2.15	3.04	3.88	6.85	10.22	17.97	22.99
0.63 bar	0.2	1.34	3.47	4.94	6.31	11.08	16.59	29.06	37.11
	0.4	1.71	4.54	6.55	8.41	14.58	21.96	38.24	48.67
	0.8	1.91	5.37	8.03	10.42	17.56	26.81	45.98	58.03
-40° C	0.07	0.63	1.60	2.27	2.90	5.11	7.64	13.42	17.16
0.04 bar	0.2	0.96	2.52	3.61	4.62	8.07	12.11	21.16	26.97
	0.4	1.15	3.13	4.60	5.94	10.15	15.39	26.60	33.72
	0.8	1.14	3.24	5.07	6.70	10.81	16.85	28.25	35.19

Capacities are based on 40° C liquid, 5° C superheat at valve inlet, and are maximum for the conditions listed. For each 5° C liquid is below 40° C, INCREASE capacity values by 7%. (\*Sizing charts are also for Crankcase Pressure Regulators in sizes to 2 1/8 port only.)

**NOTE:** Due to conditions encountered with refrigeration circuits utilizing hot gas for defrosting purposes, a maximum pressure drop of .20 bar should be used in the regulator selection process. If a pressure drop of more than .20 bar is considered, the regulator could become restrictive after the termination of a defrost cycle, thereby requiring an extended pull down period. The shaded areas of the suction tables designate regulator capacities above a .20 bar pressure drop, and should not be considered for these types of systems.

**A8, (S)PORT & SC Suction Capacities Tons)**

**R507**

Evap Temp °F	Pres Drop	03	05	07	09	11	13	17	21
Evap Pres. psig	psi	3/8"	5/8"	7/8"	1-1/8"	1-3/8"	1-5/8"	2-1/8"	2-5/8"
		9 mm	15 mm	22 mm	28 mm	35 mm	42 mm	54 mm	66 mm
50° F 84 psig	1	0.66	1.66	2.34	2.98	5.29	7.88	13.88	17.77
	3	1.12	2.85	4.02	5.12	9.06	13.51	23.77	30.42
	5	1.42	3.63	5.13	6.55	11.56	17.26	30.34	38.81
	10	1.93	4.97	7.07	9.04	15.89	23.77	41.67	53.24
40° F 68.5 psig	1	0.59	1.49	2.10	2.68	4.74	7.07	12.44	15.93
	3	1.00	2.55	3.60	4.58	8.11	12.09	21.27	27.22
	5	1.27	3.24	4.59	5.85	10.33	15.42	27.09	34.65
	10	1.71	4.41	6.29	8.04	14.11	21.13	37.01	47.26
30° F 54.9 psig	1	0.52	1.33	1.88	2.39	4.23	6.31	11.11	14.23
	3	0.89	2.27	3.21	4.09	7.22	10.78	18.94	24.24
	5	1.12	2.88	4.08	5.20	9.17	13.71	24.07	30.77
	10	1.50	3.89	5.56	7.11	12.45	18.67	32.66	41.69
20° F 43.0 psig	1	0.47	1.18	1.67	2.13	3.76	5.61	9.88	12.64
	3	0.79	2.01	2.84	3.62	6.40	9.55	16.79	21.47
	5	0.99	2.54	3.60	4.60	8.10	12.11	21.26	27.17
	10	1.31	3.40	4.88	6.24	10.91	16.37	28.60	36.48
10° F 32.7 psig	1	0.41	1.05	1.48	1.88	3.33	4.96	8.73	11.18
	3	0.69	1.77	2.50	3.19	5.64	8.42	14.78	18.91
	5	0.86	2.23	3.17	4.04	7.11	10.63	18.65	23.82
	10	1.12	2.95	4.24	5.44	9.46	14.22	24.81	31.62
0° F 23.9 psig	1	0.36	0.92	1.30	1.65	2.93	4.36	7.68	9.83
	3	0.60	1.55	2.19	2.80	4.93	7.37	12.93	16.54
	5	0.75	1.94	2.76	3.53	6.19	9.26	16.23	20.72
	10	0.95	2.52	3.65	4.68	8.12	12.23	21.28	27.08
-10° F 16.4 psig	1	0.32	0.80	1.13	1.44	2.56	3.81	6.71	8.58
	3	0.52	1.34	1.90	2.43	4.28	6.40	11.22	14.34
	5	0.64	1.67	2.38	3.05	5.33	7.99	13.98	17.84
	10	0.79	2.13	3.09	3.98	6.86	10.37	17.98	22.84
-20° F 10.1 psig	1	0.27	0.70	0.98	1.25	2.22	3.31	5.81	7.44
	3	0.45	1.15	1.64	2.09	3.68	5.51	9.65	12.32
	5	0.54	1.42	2.03	2.60	4.54	6.82	11.91	15.18
	10	0.64	1.75	2.58	3.33	5.69	8.63	14.91	18.89
-30° F 4.8 psig	1	0.23	0.60	0.85	1.08	1.91	2.85	5.00	6.40
	3	0.38	0.98	1.40	1.79	3.13	4.69	8.20	10.47
	5	0.45	1.19	1.71	2.20	3.81	5.74	9.99	12.72
	10	0.50	1.41	2.10	2.73	4.60	7.01	12.03	15.19
-40° F 0.5 psig	1	0.20	0.51	0.72	0.92	1.62	2.43	4.26	5.45
	3	0.31	0.82	1.17	1.50	2.62	3.94	6.88	8.77
	5	0.36	0.97	1.42	1.82	3.14	4.74	8.23	10.45
	10	0.37	1.08	1.65	2.16	3.57	5.50	9.34	11.72

Capacities are based on 100° F liquid, 10° F superheat at valve inlet, and are maximum for the conditions listed. For each 10° F liquid is below 100° F, INCREASE capacity values by 4%. (\*Sizing charts are also for Crankcase Pressure Regulators in sizes to 2 1/8 port only.)

**NOTE:** Due to conditions encountered with refrigeration circuits utilizing hot gas for defrosting purposes, a maximum pressure drop of 3 psi should be used in the regulator selection process. If a pressure drop of more than 3 psi is considered, the regulator could become restrictive after the termination of a defrost cycle, thereby requiring an extended pull down period. The shaded areas of the suction tables designate regulator capacities above a 3 psi pressure drop, and should not be considered for these types of systems.

**A8, (S)PORT & SC Suction Capacities (Kilowatts)**

**R507**

Evap Temp °C	Pres Drop	03	05	07	09	11	13	17	21
Evap Pres. Bar	bar	3/8"	5/8"	7/8"	1-1/8"	1-3/8"	1-5/8"	2-1/8"	2-5/8"
		9 mm	15 mm	22 mm	28 mm	35 mm	42 mm	54 mm	66 mm
10° C 5.8 bar	0.07	2.25	5.70	8.03	10.23	18.13	27.03	47.58	60.92
	0.2	3.74	9.53	13.45	17.14	30.32	45.24	79.57	101.83
	0.4	5.18	13.24	18.74	23.90	42.18	63.00	110.67	141.55
	0.8	6.98	18.04	25.70	32.85	57.67	86.35	151.27	193.19
5° C 4.8 bar	0.07	2.03	5.16	7.28	9.27	16.42	24.48	43.09	55.17
	0.2	3.38	8.61	12.16	15.50	27.42	40.91	71.94	92.07
	0.4	4.66	11.93	16.91	21.57	38.04	56.84	99.80	127.62
	0.8	6.24	16.17	23.07	29.51	51.72	77.50	135.65	173.16
0° C 4 bar	0.07	1.84	4.66	6.57	8.37	14.83	22.11	38.91	49.82
	0.2	3.04	7.76	10.97	13.98	24.71	36.88	64.83	82.96
	0.4	4.17	10.71	15.20	19.40	34.17	51.08	89.65	114.60
	0.8	5.53	14.41	20.61	26.39	46.14	69.21	121.01	154.38
-5° C 3.2 bar	0.07	1.65	4.19	5.91	7.53	13.34	19.89	35.00	44.81
	0.2	2.73	6.96	9.84	12.55	22.17	33.10	58.18	74.43
	0.4	3.72	9.57	13.59	17.36	30.54	45.68	80.13	102.40
	0.8	4.87	12.75	18.30	23.45	40.89	61.42	107.24	136.70
-10° C 2.6 bar	0.07	1.48	3.76	5.30	6.75	11.95	17.82	31.36	40.14
	0.2	2.43	6.22	8.80	11.22	19.80	29.57	51.96	66.46
	0.4	3.29	8.50	12.09	15.45	27.15	40.63	71.21	90.97
	0.8	4.25	11.19	16.12	20.69	35.96	54.09	94.28	120.08
-15° C 1.98 bar	0.07	1.32	3.35	4.73	6.02	10.66	15.89	27.96	35.80
	0.2	2.16	5.52	7.82	9.97	17.59	26.28	46.16	59.03
	0.4	2.89	7.50	10.69	13.67	23.97	35.91	62.87	80.27
	0.8	3.66	9.73	14.08	18.10	31.32	47.21	82.10	104.44
-20° C 1.46 bar	0.07	1.17	2.97	4.20	5.34	9.46	14.11	24.82	31.77
	0.2	1.90	4.87	6.91	8.82	15.54	23.23	40.77	52.12
	0.4	2.52	6.56	9.38	12.01	21.01	31.51	55.10	70.30
	0.8	3.10	8.35	12.17	15.67	26.97	40.76	70.68	89.75
-25° C 1.0 bar	0.07	1.03	2.62	3.70	4.72	8.35	12.45	21.90	28.03
	0.2	1.66	4.27	6.07	7.75	13.63	20.39	35.76	45.70
	0.4	2.17	5.69	8.16	10.46	18.24	27.40	47.84	60.98
	0.8	2.58	7.05	10.37	13.40	22.87	34.69	59.92	75.92
-30° C 0.63 bar	0.07	0.90	2.30	3.25	4.14	7.32	10.92	19.20	24.56
	0.2	1.44	3.71	5.28	6.75	11.86	17.75	31.10	39.72
	0.4	1.84	4.87	7.02	9.02	15.66	23.56	41.05	52.27
	0.8	2.08	5.82	8.67	11.25	19.00	28.97	49.76	62.86
-40° C 0.04 bar	0.07	0.68	1.73	2.45	3.12	5.51	8.22	14.44	18.47
	0.2	1.04	2.72	3.90	4.99	8.71	13.08	22.85	29.13
	0.4	1.25	3.41	4.99	6.44	11.03	16.70	28.89	36.65
	0.8	1.25	3.58	5.58	7.36	11.94	18.55	31.20	38.95

Capacities are based on 40° C liquid, 5° C superheat at valve inlet, and are maximum for the conditions listed. For each 5° C liquid is below 40° C, INCREASE capacity values by 7%. (\*Sizing charts are also for Crankcase Pressure Regulators in sizes to 2 1/8 port only.)

**NOTE:** Due to conditions encountered with refrigeration circuits utilizing hot gas for defrosting purposes, a maximum pressure drop of .20 bar should be used in the regulator selection process. If a pressure drop of more than .20 bar is considered, the regulator could become restrictive after the termination of a defrost cycle, thereby requiring an extended pull down period. The shaded areas of the suction tables designate regulator capacities above a .20 bar pressure drop, and should not be considered for these types of systems.

# A8 Pressure Regulators

## Features

- Dual range spring for flexibility in application.
- Highest capacity commercial regulator in the industry.
- Molded Class H coil construction.
- Internally pilot operated.
- Manual opening stem.
- Interchangeable capacity cartridges.
- Inlet, outlet, or differential control capability.
- Sweat-in place without disassembly.
- Inlet access fitting as standard.
- Electric shut-off and electric wide open variations.
- Excellent regulation at light loads.
- DIN coil assemblies available.



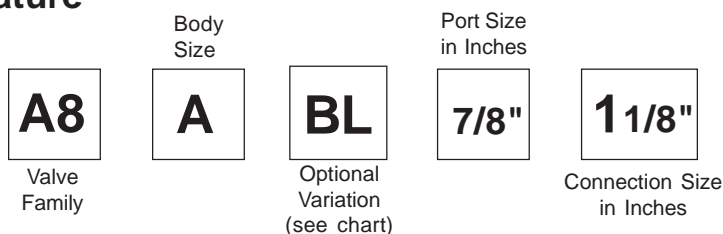
## Specifications

- Control range: 10" Hg to 400 psig (250mm Hg to 27.6 bar).
- Minimum fluid temperature: -40° F (-40° C).
- Design Pressure (M.R.P.): 450 psig (31.0 bar).
- UL listed (except 50 Hz version), file # SA5473.
- CSA certified, file LR20991-14.

## Standard Voltages

- 120V/60Hz, 110V/50Hz
- 240V/60Hz, 220V/50Hz
- 208V/60Hz
- 240V/60Hz, 220V/50Hz (DIN)
- 240V/50Hz (DIN)

## A8 Valve Nomenclature



Valve Types: A8A, A81, A82. All are inlet pressure regulators.  
 Optional adapter functions are as follows:

"S" Suffix	Inlet Regulator with Electric Shut-Off
"B" Suffix	Inlet Regulator with Electric Bypass Feature
"L" Suffix	Differential Pressure Regulator
"BL" Suffix	Differential Regulator with Electric Bypass Feature
"OE" Suffix	Outlet Pressure Regulator
"OES" Suffix	Outlet Pressure Regulator with Electric Shut-Off

## A8 Port/Connection Size Combinations

Valve Type	Port Size	Available Connection Sizes
A8A	3/8" (9mm)	5/8", 7/8", 1-1/8" (15mm, 22mm, 28mm)
A8A	5/8" (15mm)	5/8", 7/8", 1-1/8" (15mm, 22mm, 28mm)
A8A	7/8" (22mm)	7/8", 1-1/8" (22mm, 28mm)
A81	5/8" (15mm)	1-1/8", 1-3/8" (28mm, 35mm)
A81	7/8" (22mm)	1-1/8", 1-3/8", 1-5/8", 2-1/8" (28mm, 35mm, 42mm, 54mm)
A81	1-1/8" (28mm)	1-1/8", 1-3/8", 1-5/8", 2-1/8" (28mm, 35mm, 42mm, 54mm)
A81	1-3/8" (35mm)	1-1/8", 1-3/8", 1-5/8", 2-1/8" (28mm, 35mm, 42mm, 54mm)
A82	1-5/8" (42mm)	1-5/8", 2-1/8", 2-5/8" (42mm, 54mm, 66mm)
A82	2-1/8" (54mm)	1-5/8", 2-1/8", 2-5/8" (42mm, 54mm, 66mm)
A82	2-5/8" (66mm)	1-5/8", 2-1/8", 2-5/8" (42mm, 54mm, 66mm)



**Description/Variations:** A8 Pressure regulators can conveniently be identified by three primary types: inlet, outlet, and differential regulator versions. Inlet pressure regulators open on a rise in inlet pressure above the valves set point, and close when the inlet pressure drops below the valve's set point.

Outlet pressure regulators maintain a constant outlet or downstream pressure. Outlet regulators will open when outlet pressure falls below the valves set point and close when the outlet pressure is above it's set point.

Differential pressure regulators will open when the pressure difference across the regulator is greater than the valves set point. Conversely, they will close when the pressure difference across the valve is below the valve's set point.

In addition, these three categories of valves, inlet, outlet, and differential, can also have optional variations added to the basic regulator, such as an electric shut-off feature, or bypass (electric wide opening) feature. Please refer to the inside front cover of this condensed catalog for a complete listing of all A8 regulator variations and their typical applications.

**Pressure Ranges:** All A8 series inlet and outlet pressure regulators feature a wide pressure range, 10" Hg to 400 psig (250mm Hg to 27.6 bar), thus allowing flexibility in application. Differential pressure regulators offer a single range spring capable of being set within a range of 0 to 120 psig (0 to 8.3 bar). Since it is the pressure difference across the valve which is being controlled with any differential regulator version (not inlet pressure), this range is appropriate for any application, whether applied on the low side or high side of the system. For example, discharge regulators will certainly be exposed to pressures exceeding 120 psig under normal operation. However, they are most typically set to control at about a 25 psi differential for hot gas supply purposes for defrost. Since this 25 psi set point easily falls within the range of this regulator, it is an appropriate pressure range for the application.

**Installation:** For those A8 regulators having an integral pilot solenoid feature, the solenoid operators utilize a spring loaded solenoid plunger design, which assists the plunger in closing off tightly against the solenoid pilot seat regardless of position or orientation. The regulator can therefore be installed in either a horizontal or vertical pipe line regardless of valve variation. Those A8 regulators that have no pilot solenoid can also be installed in a similar manner.

When brazing in line, typically a wet cloth wrapped around the valve body is recommended to dissipate heat. **If a valve is disassembled prior to installation, always have the correct gasket/ O-ring kit available for reassembly.** The internal cartridge-to-body O-ring will need to be replaced prior to reassembly.

**Adjustment:** Adjustment of a regulator's set point requires that the pressure being controlled be monitored by an accurate pressure gauge. Turning the valve's adjusting screw clockwise (into the bonnet) compresses the range spring and subsequently raises the valves set point. Conversely, turning the adjusting stem counter-clockwise will decrease the valve's set point. Adjusting the set point of an A8AS, A81S, or A82S regulator must be made with the solenoid energized, and the manual opening stem turned in. The adjustment of an A8AB, A81B, or A82B must be made with the solenoid de-energized, and the manual opening stem turned in.

**Electrical:** All A8 regulator versions utilize a molded water resistant class "H" solenoid coil with a "general purpose" coil housing as standard. A class "H" DIN coil is also available with certain voltages. Coils are designed to operate with line voltage from 85% to 110% of rated coil voltage. Operating with a coil voltage above or below these limits may result in coil burnout. Also, operating with a coil voltage below this limit will result in lowering the valves' maximum opening pressure differential, or MOPD.

**Ordering Guide:** Specify valve type, port and connection size, and voltage, if applicable.

**NOTE:** For A8 valve suction capacity tables, please reference pages 8-15 of this catalog.

# A9 Pressure Regulators

## Features

- Pilot operated for precise control of set point.
- External or internal equalizer.
- Available with integral electric shut-off.
- Sweat-in place without disassembly.
- Molded class H coil construction.
- DIN coil assemblies available.



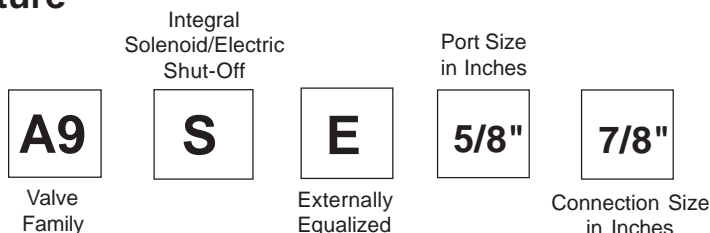
## Specifications

- Two pressure ranges:
  - Range A = 10" Hg vacuum to 120 psig (250 mm hg to 8.3 bar) (*hot gas bypass range*).
  - Range B = 80 psig to 220 psig (5.6 to 15.2 bar) (*typical application - receiver pressure regulator*).
- Minimum fluid temperature: -40° F (-40° C).
- Design pressure (M.R.P.): 450 psig (31.0 bar)
- All models UL listed, file # SA5473.
- CSA certified A9S & A9SE, file # LR20991-14.

## Standard Voltages

- 120V/60Hz, 110V/50Hz
- 240V/60Hz, 220V/50Hz
- 208V/60Hz
- 240V/60Hz, 220V/50Hz (DIN)
- 240V/50Hz (DIN)

## A9 Valve Nomenclature



A9	Outlet Pressure Regulator
A9S	Outlet Pressure Regulator with Electric Shut-Off Feature
A9E	Externally Equalized Outlet Pressure Regulator
A9SE	Externally Equalized Outlet Pressure Regulator with Electric Shut-Off Feature

## A9 Port/Connection Size Combinations

Port Size	Available Connection Sizes
3/8" (9mm)	5/8", 7/8", 1-1/8" (15mm, 22mm, 28mm)
5/8" (15mm)	5/8", 7/8", 1-1/8" (15mm, 22mm, 28mm)
7/8" (22mm)	5/8", 7/8", 1-1/8" (15mm, 22mm, 28mm)
1-1/8" (28mm)	1-1/8" (28mm)

**Description:** The A9 family of pilot operated outlet pressure regulators are ductile iron bodied valves with brazed copper couplings. The A9 is “internally equalized” to outlet pressure by means of a small channel or passage drilled through the outlet of the adapter which effectively communicates downstream pressure to the pilot section of the valve. The regulator therefore reacts to and controls the immediate outlet pressure of the control valve. When used as a receiver pressure regulator, range “B” should be designated when ordering.

The A9E is an “externally equalized” outlet pressure regulator and is usually applied as a hot gas bypass regulator. For those applications where the discharge gas is introduced into the inlet of the evaporator, an A9E is typically used with a small pilot line connected from the compressor suction to the external fitting on the regulator. Installed in this manner the valve senses and responds to compressor suction pressure while piped to feed discharge gas to the inlet of the evaporator. Since it is the suction pressure that the regulator is responding to and ultimately controlling, a range “A” regulator should be designated when ordering an A9E or A9SE for this application.

**Installation:** A9 regulators can be mounted either in a vertical or horizontal line with the refrigerant flow in the direction of the arrow on the body. These regulators may be soldered into the line without disassembly. A

wet cloth should be wrapped around the valve and the soldering flame should be directed away from the valve body.

**Adjustment:** Loosen the adjusting stem seal nut and turn the adjusting stem clockwise to raise the set point of the regulator. Turn the adjusting stem counter clockwise to lower the set point of the regulator. For a range “A” valve, one complete turn of the adjusting stem will result in a change in set point of about 16 psi (1.1 bar). One complete turn of the adjusting stem on a range “B” regulator will change the set point approximately 25psi (1.7 bar). The set point adjustment of an A9S or A9SE must be made with the pilot solenoid energized.

**Electrical:** A9S and A9SE regulators utilize a molded water resistant Class “H” solenoid coil with a general purpose coil housing which meets NEMA 3R and 4 requirements. A class “H” DIN coil is also available with certain voltages. Power consumption during normal operation will be 11 watts or less. The coils are designed to operate with a line voltage from 85% to 110% of rated coil voltage. Operating with a line voltage above or below these limits may result in coil burn out.

**Ordering Guide:** Specify valve type, range, port and connection size. If shut off (“S”) variation is included, specify voltage and frequency.

# CK4 Check Valve

## Features

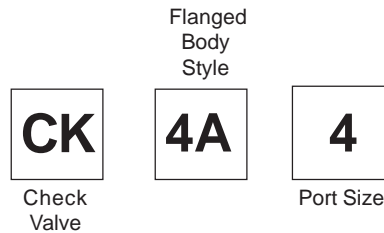
- Spring-loaded, in-line check valve.
- Compact size, mounts in any position.
- A minimum pressure difference of .75 psi (.05 bar) required to fully open valve.
- Several ODS connection sizes available for most port size valves.
- Positive spring closing action.
- Lapped, metal to metal stainless steel or chrome plated seat.
- Various flanged connections available.



## Specifications

- Design pressure (MRP): 500 psig, (32 bar).
- Minimum fluid temperature: -40 °F (-40 °C).
- UL listed, file # SA5473.
- CSA certified, file # LR20991-14.

## CK4 Valve Nomenclature



## CK4 Port/Connection Size Combinations

Valve Type	Port Size	Available ODS Flange Connection Sizes
CK4A-2	1/2" (13mm)	1/2", 5/8", 7/8" (13mm, 15mm, 22mm)
CK4A-3	3/4" (20mm)	7/8", 1-1/8", 1-3/8" (22mm, 28mm, 35mm)
CK4A-4	1" (25mm)	1-1/8", 1-3/8", 1-5/8" (28mm, 35mm, 42mm)
CK4A-6	1-1/4" (32mm)	1-3/8", 1-5/8", 2-1/8" (35mm, 42mm, 54mm)
CK4A-8	2" (50mm)	1-5/8", 2-1/8", 2-5/8" (42mm, 54mm, 66mm)
CK4A-9	2-1/2" (65mm)	2-5/8", 3-1/8" (66mm, 78mm)
CK4A-0	3" (75mm)	3-1/8", 3-5/8" (78mm, 91mm)
CK4A-16	4" (100mm)	4-1/8" (103mm)

**Description:** CK4A check valves allow flow in one direction only, and will prevent backward flow of refrigerant should the outlet pressure increase even slightly above the valve's inlet pressure. The CK4A check valve is a flanged spring closing valve which utilizes a corrosion resistant, stainless steel or chrome plated lapped seat. This material and type of construction ensures reliable closing action and minimum seat leakage.

Typical applications for large commercial refrigeration systems include condenser liquid drain check valves, and condenser bypass lines. As a bypass check valve, it is usually installed downstream of a receiver pressure regulator. In this application, the CK4A check valve prevents back-flow through the receiver pressure regulator and into the discharge line in the event of a system shut-down.

CK4A check valves utilize mating flanges. In most instances, ODS flanges with copper couplings provide various connection sizes to match the valve to the line. The flanges used are two bolt refrigeration style (tongue and groove) on all valves up to and including 1" (25mm) port size, and four bolt on 1-1/4" (32mm) through 4" (100mm) port size.

**Installation:** Because of their spring closing construction, CK4A check valves can be mounted in any position in either a vertical or horizontal line. The valve must be installed with the arrow pointing in the direction of flow. After installing the CK4A between its flanges, tighten the flange bolts evenly.

**Ordering Guide:** Specify the CK4A port size and the connection size of the ODS flange.

**CK4A Liquid Drain Capacities (Tons)**

**R22**

Cond Temp Sat pres (psig)	Evap Temp	Pres Drop psi	CK4A2	CK4A3	Ck4A4	CK4A6	CK4A8	CK4A9	CK4A0	CK4A16
			1/2" 13 mm	3/4" 20 mm	1" 25 mm	1-1/4" 32 mm	2" 50 mm	2-1/2" 65 mm	3" 75 mm	4" 100 mm
75° F (132)	-40° F	0.75	9.9	20.7	37.9	55.3	134.0	203.8	326.2	611.5
		3	19.8	41.4	75.7	110.7	267.9	407.7	652.3	1223.1
	0° F	0.75	10.5	21.9	40.1	58.6	141.9	216.0	345.6	648.0
		3	21.0	43.8	80.2	117.3	283.9	432.0	691.2	1295.9
	40° F	0.75	11.0	23.0	42.1	61.6	149.0	226.8	362.8	680.3
		3	22.0	46.0	84.2	123.1	298.0	453.6	725.7	1360.7
95° F (182)	-40° F	0.75	8.9	18.6	34.1	49.9	120.7	183.7	294.0	551.2
		3	17.8	37.3	68.2	99.7	241.5	367.5	587.9	1102.4
	0° F	0.75	9.5	19.8	36.3	53.1	128.6	195.7	313.0	587.0
		3	19.0	39.7	72.7	106.2	257.1	391.3	626.1	1173.9
	40° F	0.75	10.0	20.9	38.3	56.0	135.5	206.2	330.0	618.7
		3	20.0	41.8	76.6	112.0	271.1	412.5	660.0	1237.5
115° F (243)	-40° F	0.75	7.9	16.6	30.3	44.3	107.3	163.2	261.2	489.7
		3	15.9	33.1	60.6	88.6	214.5	326.5	522.4	979.4
	0° F	0.75	8.5	17.7	32.5	47.5	115.0	174.9	279.9	524.8
		3	17.0	35.5	65.0	95.0	229.9	349.9	559.8	1049.6
	40° F	0.75	9.0	18.8	34.4	50.3	121.8	185.3	296.5	555.9
		3	18.0	37.6	68.8	100.6	243.5	370.6	593.0	1111.8

**CK4A Liquid Drain Capacities (Tons)**

**R134a**

Cond Temp (Sat pres) psig	Evap Temp	Pres Drop psi	CK4A2	CK4A3	Ck4A4	CK4A6	CK4A8	CK4A9	CK4A0	CK4A16
			1/2" 13 mm	3/4" 20 mm	1" 25 mm	1-1/4" 32 mm	2" 50 mm	2-1/2" 65 mm	3" 75 mm	4" 100 mm
75° F (78.6)	-40° F	0.75	8.9	18.6	34.1	49.8	120.6	183.5	293.6	550.5
		3	17.8	37.2	68.2	99.6	241.2	367.0	587.2	1101.0
	0° F	0.75	9.7	20.4	37.3	54.5	131.9	200.7	321.1	602.0
		3	19.5	40.7	74.5	108.9	263.7	401.3	642.1	1204.0
	40° F	0.75	10.5	22.0	40.3	58.9	142.7	217.2	347.5	651.5
		3	21.1	44.1	80.7	117.9	285.4	434.3	695.0	1303.0
95° F (113.8)	-40° F	0.75	7.9	16.4	30.0	43.9	106.2	161.7	258.6	485.0
		3	15.7	32.8	60.0	87.8	212.5	323.3	517.3	969.9
	0° F	0.75	8.7	18.1	33.2	48.5	117.3	178.5	285.6	535.6
		3	17.3	36.2	66.3	96.9	234.6	357.0	571.3	1071.1
	40° F	0.75	9.5	19.8	36.2	52.9	128.0	194.8	311.6	584.2
		3	18.9	39.5	72.3	105.7	256.0	389.5	623.2	1168.5
115° F (158.4)	-40° F	0.75	6.8	14.2	25.9	37.9	91.7	139.5	223.2	418.6
		3	13.6	28.3	51.8	75.7	183.4	279.0	446.5	837.1
	0° F	0.75	7.6	15.8	29.0	42.4	102.6	156.1	249.7	468.2
		3	15.2	31.7	58.0	84.7	205.1	312.1	499.4	936.4
	40° F	0.75	8.4	17.4	31.9	46.7	113.0	172.0	275.2	516.0
		3	16.7	34.9	63.9	93.4	226.0	344.0	550.4	1031.9

NOTE: Blue shading is for readability purposes only.

**CK4A Liquid Drain Capacities (kW)**

**R22**

Cond Temp (Sat pres) bar	Evap Temp	Pres Drop bar	CK4A2 1/2" 13 mm	CK4A3 3/4" 20 mm	CK4A4 1" 25 mm	CK4A6 1-1/4" 32 mm	CK4A8 2" 50 mm	CK4A9 2-1/2" 65 mm	CK4A0 3" 75 mm	CK4A16 4" 100 mm
25° C (9.2)	-40° C	0.05	33.7	70.3	128.8	188.2	455.6	693.3	1109.2	2079.8
		0.21	69.0	144.1	263.9	385.6	933.7	1420.8	2273.3	4262.4
	-20° C	0.05	35.5	74.1	135.8	198.4	480.4	731.0	1169.7	2193.1
		0.21	72.8	152.0	278.2	406.7	984.5	1498.2	2397.1	4494.6
	0° C	0.05	37.2	77.6	142.1	207.7	502.8	765.1	1224.2	2295.4
		0.21	76.2	159.0	291.2	425.6	1030.4	1568.0	2508.8	4704.1
30° C (10.9)	-40° C	0.05	32.2	67.2	123.0	179.7	435.1	662.1	1059.3	1986.2
		0.21	65.9	137.6	252.0	368.3	891.6	1356.8	2170.9	4070.4
	-20° C	0.05	34.0	71.0	129.9	189.9	459.7	699.5	1119.2	2098.5
		0.21	69.6	145.4	266.2	389.1	942.1	1433.6	2293.7	4300.7
	0° C	0.05	35.6	74.4	136.2	199.0	481.9	733.3	1173.3	2199.9
		0.21	73.0	152.4	279.1	407.9	987.6	1502.8	2404.6	4508.5
35° C (12.6)	-40° C	0.05	30.6	64.0	117.1	171.2	414.4	630.6	1009.0	1891.8
		0.21	62.8	131.1	240.0	350.8	849.3	1292.3	2067.7	3877.0
	-20° C	0.05	32.4	67.7	124.0	181.2	438.8	667.7	1068.4	2003.2
		0.21	66.5	138.8	254.1	371.4	899.3	1368.5	2189.5	4105.4
	0° C	0.05	34.1	71.1	130.2	190.3	460.8	701.3	1122.0	2103.8
		0.21	69.8	145.8	266.9	390.1	944.4	1437.2	2299.4	4311.5

**CK4A Liquid Drain Capacities (kW)**

**R134a**

Cond Temp (Sat pres) bar	Evap Temp	Pres Drop bar	CK4A2 1/2" 13 mm	CK4A3 3/4" 20 mm	CK4A4 1" 25 mm	CK4A6 1-1/4" 32 mm	CK4A8 2" 50 mm	CK4A9 2-1/2" 65 mm	CK4A0 3" 75 mm	CK4A16 4" 100 mm
25° C (5.5)	-40° C	0.05	30.2	63.1	115.4	168.7	408.5	621.6	994.6	1864.9
		0.21	61.9	129.2	236.6	345.8	837.2	1273.9	2038.3	3821.8
	-20° C	0.05	32.8	68.4	125.3	183.2	443.5	674.8	1079.7	2024.5
		0.21	67.2	140.3	256.8	375.4	908.8	1383.0	2212.8	4149.0
	0° C	0.05	35.3	73.7	134.9	197.1	477.3	726.3	1162.0	2178.8
		0.21	72.3	151.0	276.4	404.0	978.1	1488.4	2381.5	4465.3
30° C (6.7)	-40° C	0.05	28.5	59.6	109.1	159.5	386.2	587.7	940.3	1763.1
		0.21	58.5	122.2	223.7	326.9	791.5	1204.4	1927.0	3613.2
	-20° C	0.05	31.1	65.0	118.9	173.8	420.9	640.5	1024.8	1921.5
		0.21	63.8	133.1	243.8	356.3	862.6	1312.6	2100.2	3937.9
	0° C	0.05	33.6	70.1	128.4	187.7	454.4	691.5	1106.5	2074.6
		0.21	68.8	143.8	263.2	384.7	931.3	1417.3	2267.6	4251.8
35° C (7.8)	-40° C	0.05	26.9	56.1	102.8	150.3	363.8	553.6	885.7	1660.7
		0.21	55.1	115.1	210.7	307.9	745.5	1134.5	1815.2	3403.4
	-20° C	0.05	29.4	61.5	112.5	164.5	398.2	606.0	969.5	1817.9
		0.21	60.3	126.0	230.6	337.1	816.1	1241.8	1986.9	3725.5
	0° C	0.05	31.9	66.6	121.9	178.2	431.5	656.6	1050.6	1969.8
		0.21	65.4	136.5	249.9	365.2	884.3	1345.6	2153.0	4036.9

NOTE: Blue shading is for readability purposes only.

**CK4A Liquid Drain Capacities (Tons)**

**R404a**

Cond Temp (Sat pres) psig	Evap Temp	Pres Drop psi	CK4A2	CK4A3	Ck4A4	CK4A6	CK4A8	CK4A9	CK4A0	CK4A16
			1/2" 13 mm	3/4" 20 mm	1" 25 mm	1-1/4" 32 mm	2" 50 mm	2-1/2" 65 mm	3" 75 mm	4" 100 mm
75° F (161.2)	-40° F	0.75	6.6	13.8	25.3	37.0	89.6	136.3	218.0	408.8
		3	13.2	27.6	50.6	74.0	179.1	272.6	436.1	817.7
	0° F	0.75	7.4	15.5	28.3	41.4	100.3	152.6	244.1	457.7
		3	14.8	31.0	56.7	82.8	200.5	305.2	488.2	915.5
	40° F	0.75	8.1	17.0	31.1	45.5	110.1	167.6	268.1	502.7
		3	16.3	34.0	62.2	91.0	220.2	335.2	536.2	1005.5
95° F (219.4)	-40° F	0.75	5.5	11.5	21.0	30.7	74.3	113.0	180.8	339.1
		3	11.0	22.9	42.0	61.4	148.6	226.1	361.7	678.2
	0° F	0.75	6.3	13.1	23.9	35.0	84.7	128.9	206.3	386.8
		3	12.5	26.2	47.9	70.0	169.4	257.8	412.6	773.5
	40° F	0.75	7.0	14.6	26.7	39.0	94.3	143.5	229.7	430.6
		3	13.9	29.1	53.3	77.9	188.7	287.1	459.3	861.3
115° F (290.9)	-40° F	0.75	4.3	9.0	16.4	24.0	58.2	88.5	141.7	265.6
		3	8.6	18.0	32.9	48.1	116.4	177.1	283.3	531.2
	0° F	0.75	5.0	10.5	19.3	28.2	68.3	103.9	166.3	311.8
		3	10.1	21.1	38.6	56.4	136.6	207.8	332.6	623.5
	40° F	0.75	5.7	12.0	21.9	32.1	77.6	118.1	188.9	354.3
		3	11.5	24.0	43.9	64.1	155.2	236.2	377.9	708.5

**CK4A Liquid Drain Capacities (Tons)**

**R507**

Cond Temp (Sat pres) psig	Evap Temp	Pres Drop psi	CK4A2	CK4A3	Ck4A4	CK4A6	CK4A8	CK4A9	CK4A0	CK4A16
			1/2" 13 mm	3/4" 20 mm	1" 25 mm	1-1/4" 32 mm	2" 50 mm	2-1/2" 65 mm	3" 75 mm	4" 100 mm
75° F (167.0)	-40° F	0.75	6.6	13.7	25.1	36.6	88.7	134.9	215.9	404.8
		3	13.1	27.4	50.1	73.2	177.3	269.8	431.7	809.5
	0° F	0.75	7.3	15.2	27.9	40.7	98.6	150.1	240.2	450.3
		3	14.6	30.5	55.8	81.5	197.3	300.2	480.4	900.7
	40° F	0.75	8.0	16.7	30.5	44.6	108.1	164.5	263.1	493.4
		3	16.0	33.4	61.1	89.3	216.1	328.9	526.2	986.7
95° F (226.0)	-40° F	0.75	5.5	11.6	21.2	30.9	74.9	114.0	182.3	341.9
		3	11.1	23.1	42.3	61.9	149.8	227.9	364.7	683.8
	0° F	0.75	6.3	13.1	23.9	35.0	84.6	128.8	206.0	386.3
		3	12.5	26.1	47.8	69.9	169.3	257.6	412.1	772.7
	40° F	0.75	6.9	14.5	26.5	38.7	93.8	142.8	228.4	428.3
		3	13.9	29.0	53.0	77.5	187.6	285.5	456.8	856.5
115° F (301.0)	-40° F	0.75	4.5	9.3	17.1	25.0	60.5	92.1	147.3	276.2
		3	8.9	18.7	34.2	50.0	121.0	184.2	294.7	552.5
	0° F	0.75	5.2	10.8	19.8	28.9	69.9	106.4	170.3	319.3
		3	10.3	21.6	39.5	57.8	139.9	212.9	340.6	638.7
	40° F	0.75	5.8	12.2	22.3	32.6	78.9	120.0	192.0	360.0
		3	11.7	24.3	44.6	65.1	157.7	240.0	384.0	719.9

NOTE: Blue shading is for readability purposes only.



**CK4A Liquid Drain Capacities (kW)**

**R404a**

Cond Temp (Sat pres) bar	Evap Temp	Pres Drop bar	CK4A2 1/2" 13 mm	CK4A3 3/4" 20 mm	Ck4A4 1" 25 mm	CK4A6 1-1/4" 32 mm	CK4A8 2" 50 mm	CK4A9 2-1/2" 65 mm	CK4A0 3" 75 mm	CK4A16 4" 100 mm
25° C (11.2)	-40° C	0.05	22.2	46.4	85.0	124.3	300.9	457.9	732.6	1373.6
		0.21	45.6	95.2	174.3	254.7	616.6	938.4	1501.4	2815.1
	-20° C	0.05	24.7	51.6	94.4	138.0	334.1	508.5	813.6	1525.4
		0.21	50.6	105.7	193.5	282.8	684.8	1042.1	1667.3	3126.2
	0° C	0.05	27.0	56.4	103.2	150.8	365.1	555.6	889.0	1666.9
		0.21	55.3	115.5	211.5	309.1	748.3	1138.7	1822.0	3416.2
30° C (13.1)	-40° C	0.05	20.5	42.8	78.4	114.5	277.3	421.9	675.1	1265.8
		0.21	42.0	87.7	160.6	234.7	568.2	864.7	1383.5	2594.1
	-20° C	0.05	22.9	47.9	87.7	128.1	310.2	472.0	755.2	1415.9
		0.21	47.0	98.1	179.6	262.5	635.6	967.3	1547.6	2901.8
	0° C	0.05	25.2	52.6	96.3	140.8	340.8	518.6	829.8	1555.9
		0.21	51.6	107.8	197.4	288.5	698.5	1062.9	1700.6	3188.6
35° C (15.1)	-40° C	0.05	18.7	39.1	71.5	104.6	253.2	385.2	616.4	1155.7
		0.21	38.3	80.1	146.6	214.3	518.8	789.5	1263.2	2368.6
	-20° C	0.05	21.1	44.1	80.7	118.0	285.6	434.7	695.5	1304.0
		0.21	43.3	90.4	165.4	241.8	585.4	890.8	1425.3	2672.5
	0° C	0.05	23.4	48.8	89.3	130.5	315.9	480.8	769.2	1442.3
		0.21	47.9	99.9	183.0	267.4	647.5	985.3	1576.5	2955.9

**CK4A Liquid Drain Capacities (kW)**

**R507**

Cond Temp (Sat pres) bar	Evap Temp	Pres Drop bar	CK4A2 1/2" 13 mm	CK4A3 3/4" 20 mm	Ck4A4 1" 25 mm	CK4A6 1-1/4" 32 mm	CK4A8 2" 50 mm	CK4A9 2-1/2" 65 mm	CK4A0 3" 75 mm	CK4A16 4" 100 mm
25° C (11.6)	-40° C	0.05	22.1	46.1	84.3	123.3	298.5	454.2	726.7	1362.5
		0.21	45.2	94.4	172.9	252.6	611.6	930.8	1489.2	2792.3
	-20° C	0.05	24.3	50.8	93.1	136.0	329.4	501.2	802.0	1503.7
		0.21	49.9	104.2	190.8	278.8	675.0	1027.2	1643.5	3081.7
	0° C	0.05	26.5	55.4	101.4	148.2	358.8	546.0	873.6	1637.9
		0.21	54.3	113.5	207.8	303.7	735.3	1118.9	1790.3	3356.8
30° C (13.5)	-40° C	0.05	20.5	42.8	78.3	114.5	277.1	421.7	674.7	1265.1
		0.21	42.0	87.7	160.5	234.6	567.9	864.2	1382.8	2592.7
	-20° C	0.05	22.7	47.5	87.0	127.1	307.7	468.2	749.2	1404.7
		0.21	46.6	97.3	178.2	260.5	630.6	959.6	1535.4	2878.8
	0° C	0.05	24.9	52.0	95.2	139.1	336.8	512.5	820.0	1537.5
		0.21	51.0	106.5	195.1	285.1	690.2	1050.3	1680.5	3150.9
35° C (15.6)	-40° C	0.05	18.9	39.4	72.2	105.5	255.5	388.8	622.1	1166.5
		0.21	38.7	80.8	148.0	216.3	523.7	796.9	1275.0	2390.6
	-20° C	0.05	21.1	44.1	80.8	118.0	285.7	434.8	695.7	1304.5
		0.21	43.3	90.4	165.5	241.9	585.6	891.1	1425.8	2673.4
	0° C	0.05	23.2	48.5	88.9	129.9	314.5	478.5	765.7	1435.6
		0.21	47.6	99.5	182.1	266.2	644.5	980.7	1569.2	2942.2

NOTE: Blue shading is for readability purposes only.

## Condenser Pressure Control

### For Air Cooled Condensers

Parker Refrigerating Specialties and Flo-Con regulators provide the wide range of adjustment of condenser and receiver pressures required for the most efficient operation of large air-cooled condenser systems. The regulators are an integral part of the refrigeration system and provide direct control of condenser and receiver pressures to achieve satisfactory system operation with minimum energy consumption.

Condenser pressure control is needed for one or more of the following reasons:

1. To maintain sufficient receiver pressure to insure flow of an adequate amount of liquid to the evaporator for proper temperature control and adequate refrigeration capacity.
2. To permit start up during cold weather conditions by quickly developing adequate receiver pressure.
3. To provide an ample supply of hot gas for defrosts, reheat or heat reclamation systems.
4. To prevent flash gas in the liquid lines. With no pressure control, at very low ambient temperatures the cold liquid may be at almost saturated conditions because of the low condensing pressure. The lack of sub-cooling may cause the liquid to evaporate when the liquid lines pass through warm areas or where pressure drops take place (filters, valves, etc.). The presence of flash vapor would affect the performance of expansion valves, eroding seats, causing irregular flow, and reducing capacity.

### Types of systems

Two systems of variable condenser pressure control are shown on the opposite page. Figure 1 shows a Liquid Drain Control Method using a regulator in the liquid line to provide the desired condenser pressure.

This method is ideal for large capacity systems since a smaller regulator is required for liquid line than for discharge line.

Figure 2 shows a Discharge Gas Control Method using a regulator in the discharge line. In both cases a bypass regulator is used to control the receiver pressure by feeding it with high-pressure gas as necessary.

This method is particularly suitable for systems requiring hot gas defrost, heat reclaim, and for ease of start up of systems with a cold receiver.

### Valve Functions

Valve A in Fig. 1 is an Inlet Pressure Regulator in the liquid drain line from the condenser, and senses the condenser pressure. The regulator closes as the condenser pressure drops below the set point, thus back flooding the condenser and reducing the inside surface area available for condensing.

Valve in Fig. 1 and 2 is an Outlet Pressure Regulator in the bypass line from compressor discharge to the condenser liquid drain line. This valve senses the receiver pressure and opens when the pressure drops below the set point, thus maintaining the receiver pressure.

Valve C in Fig. 1 and 2 is an In-line Check valve in the liquid drain line to prevent higher pressure from backing up into the condenser during low ambient conditions when the compressor is idle.

Valve D in Fig. 2 is an Inlet Pressure Regulator in the compressor discharge line. This regulator senses the discharge pressure and closes as the pressure drops below the set point, thus maintaining the discharge pressure at the desired level.

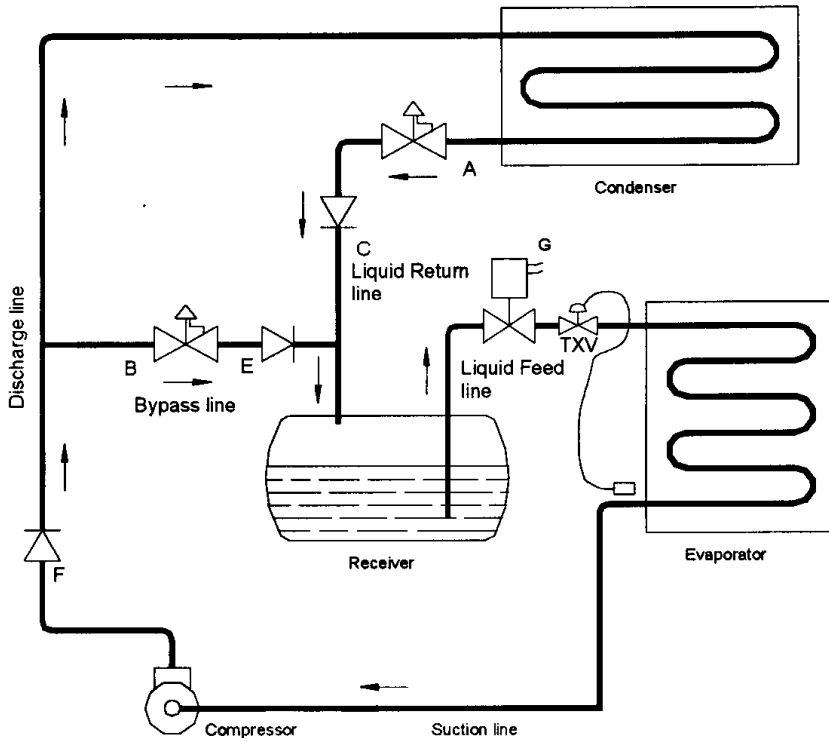


Figure 1 - Liquid drain method, condenser pressure control. (See page 72 for symbol legend.)

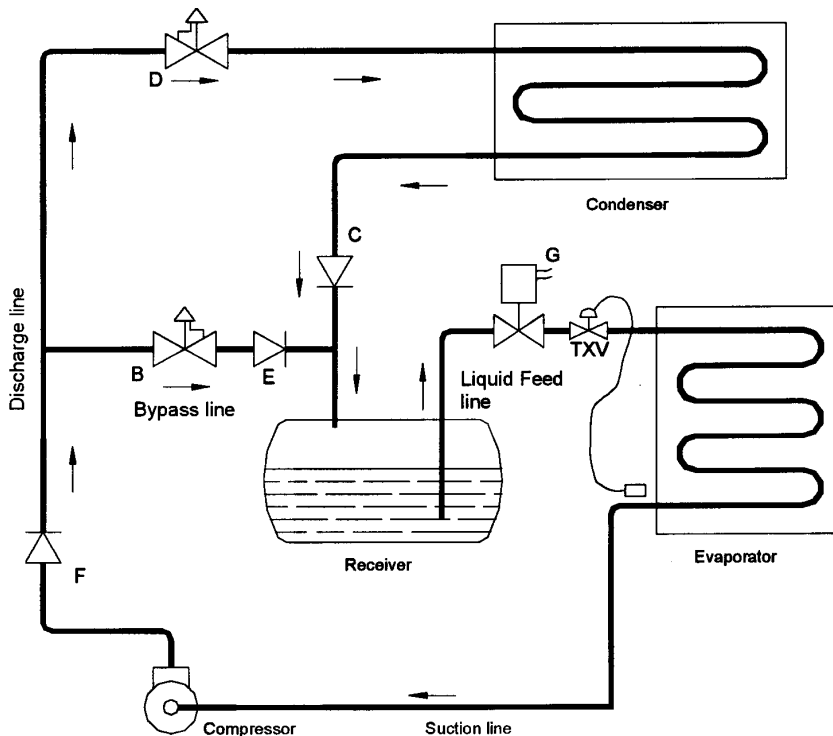


Figure 2 - Discharge gas control method, condenser pressure control. (See page 72 for symbol legend.)

Valve Legend				
Label	Valve Function	Application	Design	Selection Page
A	Inlet Pressure Regulator	Liquid Drain	A8	28-31
B	Outlet Pressure Regulator	Condenser Bypass	A9 or A8_OE	48-55
C	Check Valve	Liquid Drain	CK4A	40-47
D	Inlet Pressure Regulator	Discharge Pressure	A8	32-39
E	Check Valve	Condenser Bypass	CK4A	40-47
F	Check Valve	Compressor Discharge	CK4A	40-47
G	Solenoid Valve	Liquid Feed	SC	65

**A8 Liquid Drain Capacities (Tons)**

**R22**

Cond Temp (Sat pres) psig	Evap Temp (Sat Pres) psig	Pres Drop psi	A8	A8	A8	A81	A81	A82	A82	A82
			3/8" 9 mm	5/8" 15 mm	7/8" 22 mm	1-1/8" 28 mm	1-3/8" 35 mm	1-5/8" 42 mm	2-1/8" 54 mm	2-5/8" 66 mm
75° F (132)	-40° F (0.5)	3	8.7	22.1	31.2	39.7	70.4	104.8	184.6	236.5
		6	12.4	31.3	44.1	56.1	99.5	148.3	261.1	334.4
	0° F (24.0)	3	9.3	23.5	33.0	42.0	74.5	111.1	195.6	250.5
		6	13.1	33.2	46.7	59.4	105.4	157.1	276.7	354.3
	40° F (68.5)	3	9.7	24.6	34.7	44.1	78.3	116.6	205.4	263.1
		6	13.7	34.8	49.0	62.4	110.7	164.9	290.5	372.0
95° F (182)	-40° F (0.5)	3	7.9	19.9	28.1	35.7	63.4	94.5	166.4	213.1
		6	11.1	28.2	39.7	50.6	89.7	133.6	235.3	301.4
	0° F (24.0)	3	8.4	21.2	29.9	38.1	67.5	100.6	177.2	227.0
		6	11.9	30.0	42.3	53.8	95.5	142.3	250.6	321.0
	40° F (68.5)	3	8.8	22.4	31.5	40.1	71.2	106.1	186.8	239.2
		6	12.5	31.7	44.6	56.8	100.7	150.0	264.2	338.3
115° F (243)	-40° F (0.5)	3	7.0	17.7	25.0	31.8	56.3	84.0	147.9	189.4
		6	9.9	25.1	35.3	44.9	79.7	118.7	209.1	267.8
	0° F (24.0)	3	7.5	19.0	26.7	34.0	60.4	90.0	158.4	202.9
		6	10.6	26.9	37.8	48.1	85.4	127.2	224.1	287.0
	40° F (68.5)	3	7.9	20.1	28.3	36.1	64.0	95.3	167.8	215.0
		6	11.2	28.5	40.1	51.0	90.4	134.8	237.4	304.0

**A8, Liquid Drain Capacities (Tons)**

**R134a**

Cond Temp (Sat pres) psig	Evap Temp (Sat Pres) psig	Pres Drop psi	A8	A8	A8	A81	A81	A82	A82	A82
			3/8" 9 mm	5/8" 15 mm	7/8" 22 mm	1-1/8" 28 mm	1-3/8" 35 mm	1-5/8" 42 mm	2-1/8" 54 mm	2-5/8" 66 mm
75° F (78.6)	-40° F (14.7 in. hg)	3	7.9	19.9	28.0	35.7	63.3	94.4	166.2	212.9
		6	11.1	28.2	39.7	50.5	89.6	133.5	235.0	301.0
	0° F (6.5)	3	8.6	21.8	30.7	39.0	69.3	103.2	181.7	232.8
		6	12.2	30.8	43.4	55.2	97.9	145.9	257.0	329.2
	40° F (35.1)	3	9.3	23.6	33.2	42.3	75.0	111.7	196.7	251.9
		6	13.2	33.3	46.9	59.8	106.0	158.0	278.2	356.3
95° F (113.8)	-40° F (14.7 in. hg)	3	6.9	17.6	24.7	31.5	55.8	83.1	146.4	187.5
		6	9.8	24.8	34.9	44.5	78.9	117.6	207.1	265.2
	0° F (6.5)	3	7.7	19.4	27.3	34.7	61.6	91.8	161.7	207.1
		6	10.8	27.4	38.6	49.1	87.1	129.8	228.7	292.9
	40° F (35.1)	3	8.3	21.1	29.8	37.9	67.2	100.2	176.4	225.9
		6	11.8	29.9	42.1	53.6	95.1	141.6	249.5	319.5
115° F (158.4)	-40° F (14.7 in. hg)	3	6.0	15.1	21.3	27.1	48.2	71.8	126.4	161.8
		6	8.5	21.4	30.2	38.4	68.1	101.5	178.7	228.9
	0° F (6.5)	3	6.7	16.9	23.9	30.4	53.9	80.3	141.4	181.0
		6	9.5	24.0	33.7	42.9	76.2	113.5	199.9	256.0
	40° F (35.1)	3	7.4	18.7	26.3	33.5	59.4	88.5	155.8	199.5
		6	10.4	26.4	37.2	47.3	83.9	125.1	220.3	282.1

NOTE: Blue shading is for readability purposes only.

**A8 Liquid Drain Capacities (Kilowatts)**

**R22**

Cond Temp (Sat Pres) bar	Evap Temp (Sat Pres) bar	Pres Drop bar	A8	A8	A8	A81	A81	A82	A82	A82
			3/8" 9 mm	5/8" 15 mm	7/8" 22 mm	1-1/8" 28 mm	1-3/8" 35 mm	1-5/8" 42 mm	2-1/8" 54 mm	2-5/8" 66 mm
25° C (9.2)	-40° C (0.0)	0.2	29.7	75.3	106.0	134.9	239.3	356.5	627.9	804.2
		0.4	42.0	106.4	149.9	190.8	338.4	504.2	888.0	1137.3
	-20° C (1.4)	0.2	31.3	79.4	111.7	142.2	252.3	376.0	662.1	848.0
		0.4	44.3	112.2	158.0	201.2	356.8	531.7	936.4	1199.3
	0° C (4.0)	0.2	32.8	83.1	117.0	148.9	264.1	393.5	693.0	887.5
		0.4	46.4	117.5	165.4	210.5	373.5	556.5	980.0	1255.2
30° C (10.9)	-40° C (0.0)	0.2	28.4	71.9	101.2	128.8	228.5	340.5	599.6	768.0
		0.4	40.1	101.7	143.1	182.2	323.2	481.5	848.0	1086.1
	-20° C (1.4)	0.2	30.0	75.9	106.9	136.1	241.4	359.8	633.6	811.4
		0.4	42.4	107.4	151.2	192.5	341.4	508.8	896.0	1147.5
	0° C (4.0)	0.2	31.4	79.6	112.1	142.7	253.1	377.1	664.2	850.6
		0.4	44.4	112.6	158.5	201.8	357.9	533.3	939.3	1203.0
35° C (12.6)	-40° C (0.0)	0.2	27.0	68.5	96.4	122.7	217.6	324.3	571.1	731.5
		0.4	38.2	96.8	136.3	173.5	307.8	458.6	807.7	1034.5
	-20° C (1.4)	0.2	28.6	72.5	102.1	129.9	230.5	343.4	604.8	774.6
		0.4	40.5	102.5	144.3	183.7	325.9	485.7	855.3	1095.4
	0° C (4.0)	0.2	30.1	76.1	107.2	136.4	242.0	360.6	635.1	813.5
		0.4	42.5	107.7	151.6	193.0	342.3	510.0	898.2	1150.4

**A8, Liquid Drain Capacities (Kilowatts)**

**R134a**

Cond Temp (Sat Pres) bar	Evap Temp (Sat Pres) bar	Pres Drop bar	A8	A8	A8	A81	A81	A82	A82	A82
			3/8" 9 mm	5/8" 15 mm	7/8" 22 mm	1-1/8" 28 mm	1-3/8" 35 mm	1-5/8" 42 mm	2-1/8" 54 mm	2-5/8" 66 mm
25° C (5.5)	-40° C (373 mm hg)	0.2	26.6	67.5	95.0	120.9	214.5	319.7	563.0	721.1
		0.4	37.7	95.4	134.4	171.0	303.4	452.1	796.2	1019.8
	-20° C (914 mm hg)	0.2	28.9	73.3	103.2	131.3	232.9	347.1	611.2	782.8
		0.4	40.9	103.6	145.9	185.7	329.4	490.8	864.4	1107.1
	0° C (1.9)	0.2	31.1	78.9	111.0	141.3	250.7	373.5	657.8	842.5
		0.4	44.0	111.5	157.0	199.8	354.5	528.2	930.3	1191.5
30° C (6.7)	-40° C (373 mm hg)	0.2	25.2	63.8	89.8	114.3	202.8	302.2	532.3	681.7
		0.4	35.6	90.2	127.0	161.7	286.9	427.4	752.7	964.1
	-20° C (914 mm hg)	0.2	27.5	69.5	97.9	124.6	221.1	329.4	580.1	743.0
		0.4	38.8	98.3	138.5	176.2	312.6	465.8	820.4	1050.7
	0° C (1.9)	0.2	29.6	75.1	105.7	134.6	238.7	355.7	626.3	802.2
		0.4	41.9	106.2	149.5	190.3	337.5	503.0	885.8	1134.5
35° C (7.8)	-40° C (373 mm hg)	0.2	23.7	60.1	84.6	107.7	191.1	284.7	501.4	642.1
		0.4	33.6	85.0	119.7	152.3	270.2	402.6	709.1	908.1
	-20° C (914 mm hg)	0.2	26.0	65.8	92.6	117.9	209.1	311.6	548.8	702.9
		0.4	36.7	93.0	131.0	166.7	295.8	440.7	776.2	994.1
	0° C (1.9)	0.2	28.1	71.3	100.4	127.8	226.6	337.7	594.7	761.7
		0.4	39.8	100.8	141.9	180.7	320.5	477.6	841.0	1077.2

NOTE: Blue shading is for readability purposes only.

**A8, Liquid Drain Capacities (Tons)**

**R404a**

Cond Temp (Sat Pres) psig	Evap Temp (Sat Pres) psig	Pres Drop psi	A8 3/8" 9 mm	A8 5/8" 15 mm	A8 7/8" 22 mm	A81 1-1/8" 28 mm	A81 1-3/8" 35 mm	A82 1-5/8" 42 mm	A82 2-1/8" 54 mm	A82 2-5/8" 66 mm
75° F (161.2)	-40° F (2.7)	3	5.8	14.8	20.8	26.5	47.0	70.1	123.4	158.1
		6	8.3	20.9	29.5	37.5	66.5	99.1	174.6	223.6
	0° F (33.5)	3	6.5	16.6	23.3	29.7	52.7	78.5	138.2	177.0
		6	9.2	23.4	33.0	42.0	74.5	111.0	195.4	250.3
	40° F (86.4)	3	7.2	18.2	25.6	32.6	57.8	86.2	151.8	194.4
		6	10.2	25.7	36.2	46.1	81.8	121.9	214.6	274.9
95° F (219.4)	-40° F (2.7)	3	4.8	12.3	17.3	22.0	39.0	58.1	102.4	131.1
		6	6.9	17.4	24.4	31.1	55.2	82.2	144.8	185.4
	0° F (33.5)	3	5.5	14.0	19.7	25.1	44.5	66.3	116.8	149.5
		6	7.8	19.8	27.9	35.5	62.9	93.8	165.1	211.5
	40° F (86.4)	3	6.2	15.6	21.9	27.9	49.5	73.8	130.0	166.5
		6	8.7	22.0	31.0	39.5	70.1	104.4	183.9	235.5
115° F (290.9)	-40° F (2.7)	3	3.8	9.6	13.5	17.2	30.6	45.5	80.2	102.7
		6	5.4	13.6	19.1	24.4	43.2	64.4	113.4	145.2
	0° F (33.5)	3	4.5	11.3	15.9	20.2	35.9	53.4	94.1	120.6
		6	6.3	16.0	22.5	28.6	50.7	75.6	133.1	170.5
	40° F (86.4)	3	5.1	12.8	18.1	23.0	40.8	60.7	107.0	137.0
		6	7.2	18.1	25.5	32.5	57.6	85.9	151.3	193.7

**A8, Liquid Drain Capacities (Tons)**

**R507**

Cond Temp (Sat Pres) psig	Evap Temp (Sat Pres) psig	Pres Drop psi	A8 3/8" 9 mm	A8 5/8" 15 mm	A8 7/8" 22 mm	A81 1-1/8" 28 mm	A81 1-3/8" 35 mm	A82 1-5/8" 42 mm	A82 2-1/8" 54 mm	A82 2-5/8" 66 mm
75° F (167.0)	-40° F (5.5)	3	5.8	14.6	20.6	26.3	46.6	69.4	122.2	156.5
		6	8.2	20.7	29.2	37.1	65.9	98.1	172.8	221.3
	0° F (35.2)	3	6.4	16.3	22.9	29.2	51.8	77.2	136.0	174.1
		6	9.1	23.0	32.5	41.3	73.3	109.2	192.3	246.3
	40° F (89.8)	3	7.0	17.9	25.1	32.0	56.8	84.6	148.9	190.8
		6	10.0	25.3	35.6	45.3	80.3	119.6	210.6	269.8
95° F (226.0)	-40° F (5.5)	3	4.9	12.4	17.4	22.2	39.3	58.6	103.2	132.2
		6	6.9	17.5	24.6	31.4	55.6	82.9	146.0	187.0
	0° F (35.2)	3	5.5	14.0	19.7	25.1	44.4	66.2	116.6	149.4
		6	7.8	19.8	27.8	35.4	62.9	93.7	164.9	211.3
	40° F (89.8)	3	6.1	15.5	21.8	27.8	49.3	73.4	129.3	165.6
		6	8.7	21.9	30.9	39.3	69.7	103.8	182.8	234.2
115° F (301.0)	-40° F (5.5)	3	3.9	10.0	14.1	17.9	31.8	47.4	83.4	106.8
		6	5.6	14.1	19.9	25.3	44.9	67.0	117.9	151.1
	0° F (35.2)	3	4.6	11.6	16.3	20.7	36.7	54.7	96.4	123.5
		6	6.5	16.3	23.0	29.3	52.0	77.4	136.3	174.6
	40° F (89.8)	3	5.1	13.0	18.3	23.3	41.4	61.7	108.7	139.2
		6	7.3	18.4	25.9	33.0	58.6	87.3	153.7	196.8

NOTE: Blue shading is for readability purposes only.

**A8, Liquid Drain Capacities (Kilowatts)**

**R404a**

Cond Temp (Sat Pres) bar	Evap Temp (Sat Pres) bar	Pres Drop bar	A8 3/8" 9 mm	A8 5/8" 15 mm	A8 7/8" 22 mm	A81 1-1/8" 28 mm	A81 1-3/8" 35 mm	A82 1-5/8" 42 mm	A82 2-1/8" 54 mm	A82 2-5/8" 66 mm
25° C (11.2)	-40° C (0.3)	0.2	19.6	49.7	70.0	89.1	158.0	235.5	414.7	531.1
		0.4	27.8	70.3	99.0	126.0	223.5	333.0	586.5	751.1
	-20° C (2.0)	0.2	21.8	55.2	77.7	98.9	175.5	261.5	460.5	589.8
		0.4	30.8	78.1	109.9	139.9	248.2	369.8	651.3	834.1
	0° C (4.9)	0.2	23.8	60.3	84.9	108.1	191.8	285.8	503.3	644.6
		0.4	33.7	85.3	120.1	152.9	271.2	404.1	711.7	911.5
30° C (13.1)	-40° C (0.3)	0.2	18.1	45.8	64.5	82.1	145.6	217.0	382.2	489.4
		0.4	25.6	64.8	91.2	116.1	205.9	306.9	540.4	692.2
	-20° C (2.0)	0.2	20.2	51.2	72.1	91.8	162.9	242.7	427.5	547.5
		0.4	28.6	72.5	102.0	129.9	230.4	343.3	604.5	774.3
	0° C (4.9)	0.2	22.2	56.3	79.3	100.9	179.0	266.7	469.7	601.6
		0.4	31.4	79.6	112.1	142.7	253.1	377.2	664.3	850.8
35° C (15.1)	-40° C (0.3)	0.2	16.5	41.8	58.9	75.0	133.0	198.1	348.9	446.9
		0.4	23.3	59.2	83.3	106.0	188.0	280.2	493.5	632.0
	-20° C (2.0)	0.2	18.6	47.2	66.4	84.6	150.0	223.6	393.7	504.2
		0.4	26.3	66.7	94.0	119.6	212.2	316.1	556.8	713.1
	0° C (4.9)	0.2	20.6	52.2	73.5	93.5	165.9	247.3	435.4	557.7
		0.4	29.1	73.8	103.9	132.3	234.7	349.7	615.8	788.7

**A8, Liquid Drain Capacities (Kilowatts)**

**R507**

Cond Temp (Sat Pres) bar	Evap Temp (Sat Pres) bar	Pres Drop bar	A8 3/8" 9 mm	A8 5/8" 15 mm	A8 7/8" 22 mm	A81 1-1/8" 28 mm	A81 1-3/8" 35 mm	A82 1-5/8" 42 mm	A82 2-1/8" 54 mm	A82 2-5/8" 66 mm
25° C (11.6)	-40° C (0.4)	0.2	19.5	49.3	69.4	88.4	156.8	233.6	411.3	526.8
		0.4	27.5	69.7	98.2	125.0	221.7	330.3	581.7	745.1
	-20° C (2.1)	0.2	21.5	54.4	76.6	97.5	173.0	257.8	454.0	581.4
		0.4	30.4	77.0	108.4	137.9	244.7	364.6	642.0	822.3
	0° C (5.2)	0.2	23.4	59.3	83.5	106.2	188.4	280.8	494.5	633.3
		0.4	33.1	83.8	118.0	150.2	266.5	397.1	699.3	895.7
30° C (13.5)	-40° C (0.4)	0.2	18.1	45.8	64.5	82.1	145.5	216.9	381.9	489.2
		0.4	25.6	64.7	91.2	116.0	205.8	306.7	540.1	691.8
	-20° C (2.1)	0.2	20.1	50.8	71.6	91.1	161.6	240.8	424.1	543.2
		0.4	28.4	71.9	101.2	128.8	228.6	340.6	599.8	768.1
	0° C (5.2)	0.2	22.0	55.6	78.3	99.7	176.9	263.6	464.2	594.5
		0.4	31.1	78.7	110.8	141.0	250.2	372.7	656.4	840.7
35° C (15.6)	-40° C (0.4)	0.2	16.7	42.2	59.4	75.7	134.2	200.0	352.2	451.1
		0.4	23.6	59.7	84.1	107.0	189.8	282.8	498.1	637.9
	-20° C (2.1)	0.2	18.6	47.2	66.5	84.6	150.1	223.6	393.8	504.4
		0.4	26.4	66.8	94.0	119.6	212.2	316.3	557.0	713.3
	0° C (5.2)	0.2	20.5	52.0	73.1	93.1	165.2	246.1	433.4	555.1
		0.4	29.0	73.5	103.4	131.7	233.6	348.0	613.0	785.0

NOTE: Blue shading is for readability purposes only.

**A8 Discharge Capacities (Tons)**

**R22**

Cond Temp (Sat Pres) psig	Evap Temp (Sat Pres) psig	Discharge Temp	Pres Drop psi	A8A 3/8" 9 mm	A8A 5/8" 15 mm	A8A 7/8" 22 mm	A81 1-1/8" 28 mm	A81 1-3/8" 35 mm	A82 1-5/8" 42 mm	A82 2-1/8" 54 mm	A82 2-5/8" 66 mm		
75° F (132)	-40° F (0.5)	140° 180° 220°	3	1.5	3.8	5.3	6.8	12.0	17.9	31.4	40.2		
				1.4	3.6	5.1	6.5	11.4	17.1	30.0	38.4		
				1.4	3.5	4.9	6.2	11.0	16.4	28.8	36.9		
		75° F (132)	0° F (24.0)	140° 180° 220°	6	2.1	5.3	7.5	9.6	16.9	25.2	44.3	56.7
						2.0	5.1	7.2	9.1	16.1	24.1	42.3	54.2
						1.9	4.9	6.9	8.8	15.5	23.1	40.7	52.0
75° F (132)	40° F (68.5)			140° 180° 220°	3	1.6	4.0	5.6	7.2	12.7	18.9	33.3	42.6
						1.5	3.8	5.4	6.8	12.1	18.1	31.8	40.7
						1.4	3.7	5.2	6.6	11.6	17.4	30.6	39.1
		75° F (132)	40° F (68.5)	140° 180° 220°	6	2.2	5.6	7.9	10.1	17.9	26.7	47.0	60.1
						2.1	5.4	7.6	9.7	17.1	25.5	44.9	57.4
						2.0	5.2	7.3	9.3	16.4	24.5	43.1	55.1
95° F (182)	-40° F (0.5)			140° 180° 220°	3	1.6	4.1	5.8	7.4	13.0	19.4	34.2	43.8
						1.5	3.9	5.5	7.0	12.4	18.4	32.4	41.5
						1.5	3.7	5.2	6.7	11.8	17.6	31.0	39.7
		95° F (182)	0° F (24.0)	140° 180° 220°	6	2.3	5.8	8.2	10.4	18.4	27.5	48.3	61.8
						2.2	5.5	7.7	9.9	17.5	26.1	45.8	58.6
						2.1	5.2	7.4	9.4	16.7	24.9	43.8	56.1
95° F (182)	40° F (68.5)			140° 180° 220°	3	1.7	4.4	6.1	7.8	13.9	20.7	36.4	46.6
						1.6	4.1	5.8	7.4	13.2	19.6	34.5	44.2
						1.6	4.0	5.6	7.1	12.6	18.8	33.1	42.3
		95° F (182)	40° F (68.5)	140° 180° 220°	6	2.4	6.2	8.7	11.1	19.6	29.2	51.4	65.8
						2.3	5.8	8.2	10.5	18.6	27.7	48.8	62.4
						2.2	5.6	7.9	10.1	17.8	26.5	46.7	59.7
115° F (243)	-40° F (0.5)			140° 180° 220°	3	1.8	4.6	6.5	8.3	14.6	21.8	38.4	49.1
						1.7	4.4	6.2	7.8	13.9	20.7	36.4	46.6
						1.6	4.2	5.9	7.5	13.3	19.8	34.8	44.6
		115° F (243)	0° F (24.0)	140° 180° 220°	6	2.5	6.5	9.2	11.7	20.7	30.8	54.2	69.4
						2.4	6.2	8.7	11.1	19.6	29.2	51.4	65.8
						2.3	5.9	8.3	10.6	18.8	28.0	49.2	63.0
115° F (243)	40° F (68.5)			140° 180° 220°	3	1.7	4.4	6.2	7.9	14.0	20.9	36.8	47.1
						1.6	4.1	5.8	7.4	13.2	19.6	34.5	44.2
						1.5	3.9	5.5	7.1	12.5	18.6	32.8	42.0
		115° F (243)	40° F (68.5)	140° 180° 220°	6	2.4	6.2	8.8	11.2	19.8	29.6	52.0	66.5
						2.3	5.8	8.2	10.5	18.6	27.7	48.8	62.4
						2.2	5.6	7.8	10.0	17.7	26.4	46.4	59.3
115° F (243)	0° F (24.0)			140° 180° 220°	3	1.9	4.7	6.7	8.5	15.0	22.4	39.4	50.5
						1.7	4.4	6.2	8.0	14.1	21.0	37.0	47.3
						1.7	4.2	5.9	7.6	13.4	20.0	35.2	45.0
		115° F (243)	0° F (24.0)	140° 180° 220°	6	2.6	6.7	9.4	12.0	21.2	31.7	55.7	71.3
						2.5	6.3	8.8	11.3	19.9	29.7	52.3	66.9
						2.3	5.9	8.4	10.7	18.9	28.2	49.7	63.6
115° F (243)	40° F (68.5)			140° 180° 220°	3	2.0	5.0	7.1	9.0	15.9	23.7	41.7	53.4
						1.8	4.7	6.6	8.4	14.9	22.3	39.2	50.2
						1.8	4.5	6.3	8.0	14.2	21.2	37.3	47.7
		115° F (243)	40° F (68.5)	140° 180° 220°	6	2.8	7.1	10.0	12.7	22.5	33.6	59.0	75.5
						2.6	6.6	9.4	11.9	21.1	31.5	55.4	70.9
						2.5	6.3	8.9	11.3	20.1	29.9	52.6	67.4





**A8 Discharge Capacities (Kilowatts) R22**

Cond Temp (Sat Pres) bar	Evap Temp (Sat Pres) bar	Discharge Temp	Pres Drop bar	A8A 3/8" 9 mm	A8A 5/8" 15 mm	A8A 7/8" 22 mm	A81 1-1/8" 28 mm	A81 1-3/8" 35 mm	A82 1-5/8" 42 mm	A82 2-1/8" 54 mm	A82 2-5/8" 66 mm	
25° C (9.2)	-40° C (0.0)	60°	0.2	5.1	13.0	18.4	23.4	41.5	61.9	108.9	139.4	
		80°		4.9	12.5	17.6	22.5	39.8	59.4	104.4	133.7	
		100°		4.7	12.1	17.0	21.7	38.4	57.2	100.7	128.9	
	25° C (9.2)	-20° C (1.4)	60°	0.4	7.2	18.4	26.0	33.2	58.6	87.5	153.8	196.8
			80°		6.9	17.6	24.9	31.8	56.2	83.9	147.5	188.7
			100°		6.7	17.0	24.0	30.6	54.2	80.8	142.1	181.8
25° C (9.2)		0° C (4.0)	60°	0.2	5.4	13.8	19.4	24.7	43.8	65.3	114.8	147.0
			80°		5.2	13.2	18.6	23.7	42.0	62.6	110.1	141.0
			100°		5.0	12.7	17.9	22.9	40.5	60.3	106.2	135.9
	25° C (9.2)	0° C (4.0)	60°	0.4	7.6	19.4	27.4	35.0	61.8	92.3	162.2	207.5
			80°		7.3	18.6	26.3	33.5	59.3	88.5	155.5	198.9
			100°		7.0	17.9	25.4	32.3	57.1	85.2	149.8	191.7
30° C (10.9)		-40° C (0.0)	60°	0.2	5.7	14.4	20.3	25.9	45.8	68.3	120.2	153.9
			80°		5.4	13.8	19.5	24.8	43.9	65.5	115.3	147.6
			100°		5.2	13.3	18.8	23.9	42.3	63.1	111.1	142.2
	30° C (10.9)	-20° C (1.4)	60°	0.4	8.0	20.3	28.7	36.6	64.7	96.6	169.7	217.2
			80°		7.6	19.5	27.5	35.1	62.0	92.6	162.7	208.2
			100°		7.4	18.8	26.5	33.8	59.8	89.2	156.8	200.7
30° C (10.9)		0° C (4.0)	60°	0.2	5.3	13.6	19.1	24.4	43.2	64.3	113.2	145.0
			80°		5.1	13.0	18.3	23.3	41.3	61.6	108.3	138.7
			100°		4.9	12.5	17.6	22.4	39.7	59.2	104.2	133.4
	30° C (10.9)	-20° C (1.4)	60°	0.4	7.5	19.1	27.1	34.5	61.0	91.0	160.0	204.7
			80°		7.2	18.3	25.9	33.0	58.3	87.0	153.0	195.8
			100°		6.9	17.6	24.9	31.7	56.1	83.7	147.2	188.3
30° C (10.9)		0° C (4.0)	60°	0.2	5.6	14.3	20.2	25.7	45.6	68.0	119.6	153.2
			80°		5.4	13.7	19.3	24.6	43.6	65.0	114.4	146.5
			100°		5.2	13.2	18.6	23.7	42.0	62.6	110.1	141.0
	30° C (10.9)	-20° C (1.4)	60°	0.4	7.9	20.2	28.6	36.4	64.4	96.1	169.0	216.3
			80°		7.6	19.3	27.3	34.8	61.6	91.9	161.6	206.8
			100°		7.3	18.6	26.3	33.5	59.3	88.5	155.5	199.0
30° C (10.9)		0° C (4.0)	60°	0.2	5.9	15.0	21.2	27.0	47.8	71.3	125.4	160.6
			80°		5.7	14.4	20.3	25.8	45.7	68.2	120.0	153.6
			100°		5.4	13.8	19.5	24.8	44.0	65.6	115.4	147.8
	35° C (12.6)	-40° C (0.0)	60°	0.4	8.3	21.2	30.0	38.2	67.5	100.8	177.2	226.7
			80°		8.0	20.3	28.7	36.5	64.6	96.4	169.5	216.8
			100°		7.7	19.5	27.6	35.1	62.1	92.7	163.0	208.6
35° C (12.6)		-20° C (1.4)	60°	0.2	5.5	14.1	19.8	25.3	44.8	66.7	117.4	150.3
			80°		5.3	13.4	18.9	24.1	42.7	63.6	112.0	143.4
			100°		5.1	12.9	18.2	23.1	41.0	61.1	107.5	137.7
	35° C (12.6)	0° C (4.0)	60°	0.4	7.8	19.9	28.1	35.8	63.2	94.3	165.9	212.3
			80°		7.4	18.9	26.7	34.1	60.3	89.9	158.2	202.4
			100°		7.1	18.2	25.7	32.7	57.9	86.4	151.8	194.3
35° C (12.6)		-20° C (1.4)	60°	0.2	5.9	14.9	21.0	26.8	47.4	70.7	124.4	159.2
			80°		5.6	14.2	20.0	25.5	45.2	67.4	118.6	151.8
			100°		5.4	13.6	19.2	24.5	43.4	64.7	113.9	145.8
	35° C (12.6)	0° C (4.0)	60°	0.4	8.3	21.0	29.7	37.9	67.0	99.9	175.7	224.8
			80°		7.9	20.0	28.3	36.1	63.8	95.2	167.5	214.3
			100°		7.6	19.2	27.2	34.6	61.3	91.4	160.8	205.8
35° C (12.6)		-20° C (1.4)	60°	0.2	6.2	15.6	22.1	28.1	49.8	74.2	130.6	167.2
			80°		5.9	14.9	21.0	26.8	47.5	70.8	124.5	159.4
			100°		5.6	14.3	20.2	25.7	45.6	68.0	119.6	153.1
	35° C (12.6)	0° C (4.0)	60°	0.4	8.7	22.1	31.2	39.8	70.3	104.9	184.5	236.1
			80°		8.3	21.1	29.7	37.9	67.0	100.0	175.9	225.1
			100°		7.9	20.2	28.6	36.4	64.4	96.0	168.9	216.1

**A8 Discharge Capacities (Tons)**

**R134a**

Cond Temp (Sat Pres) psig	Evap Temp (Sat Pres) psig	Discharge Temp	Pres Drop psi	A8A 3/8" 9 mm	A8A 5/8" 15 mm	A8A 7/8" 22 mm	A81 1-1/8" 28 mm	A81 1-3/8" 35 mm	A82 1-5/8" 42 mm	A82 2-1/8" 54 mm	A82 2-5/8" 66 mm		
75° F (78.6)	-40° F (14.7 in. hg)	140° 180° 220°	3	1.1	2.9	4.1	5.2	9.2	13.7	24.1	30.8		
				1.1	2.8	3.9	5.0	8.8	13.1	23.0	29.5		
				1.0	2.7	3.7	4.8	8.4	12.6	22.2	28.4		
		75° F (78.6)	0° F (6.5)	140° 180° 220°	3	1.2	3.2	4.5	5.7	10.0	15.0	26.3	33.7
						1.2	3.0	4.3	5.4	9.6	14.3	25.2	32.2
						1.1	2.9	4.1	5.2	9.2	13.8	24.2	31.0
75° F (78.6)	40° F (35.1)			140° 180° 220°	3	1.3	3.4	4.8	6.1	10.9	16.2	28.5	36.5
						1.3	3.3	4.6	5.9	10.4	15.5	27.3	34.9
						1.2	3.1	4.4	5.7	10.0	14.9	26.2	33.6
		75° F (78.6)	40° F (35.1)	140° 180° 220°	6	1.9	4.8	6.8	8.7	15.3	22.9	40.2	51.4
						1.8	4.6	6.5	8.3	14.6	21.9	38.4	49.1
						1.7	4.4	6.3	8.0	14.1	21.0	36.9	47.2
95° F (113.8)	-40° F (14.7 in. hg)			140° 180° 220°	3	1.2	3.1	4.4	5.6	9.9	14.8	26.0	33.2
						1.2	3.0	4.2	5.3	9.4	14.0	24.7	31.6
						1.1	2.8	4.0	5.1	9.0	13.4	23.6	30.3
		95° F (113.8)	-40° F (14.7 in. hg)	140° 180° 220°	6	1.7	4.4	6.2	7.9	14.0	20.8	36.6	46.8
						1.6	4.2	5.9	7.5	13.3	19.8	34.8	44.5
						1.6	4.0	5.6	7.2	12.7	19.0	33.3	42.6
95° F (113.8)	0° F (6.5)			140° 180° 220°	3	1.3	3.4	4.8	6.2	10.9	16.3	28.7	36.7
						1.3	3.3	4.6	5.9	10.4	15.5	27.2	34.9
						1.2	3.1	4.4	5.6	9.9	14.8	26.1	33.4
		95° F (113.8)	0° F (6.5)	140° 180° 220°	6	1.9	4.8	6.8	8.7	15.4	23.0	40.4	51.7
						1.8	4.6	6.5	8.3	14.6	21.9	38.4	49.1
						1.7	4.4	6.2	7.9	14.0	20.9	36.8	47.1
95° F (113.8)	40° F (35.1)			140° 180° 220°	3	1.5	3.7	5.3	6.7	11.9	17.8	31.3	40.0
						1.4	3.6	5.0	6.4	11.3	16.9	29.7	38.0
						1.3	3.4	4.8	6.1	10.9	16.2	28.5	36.4
		95° F (113.8)	40° F (35.1)	140° 180° 220°	6	2.1	5.3	7.5	9.5	16.8	25.1	44.1	56.4
						2.0	5.0	7.1	9.0	16.0	23.8	41.9	53.6
						1.9	4.8	6.8	8.7	15.3	22.8	40.1	51.3
115° F (158.4)	-40° F (14.7 in. hg)			140° 180° 220°	3	1.3	3.3	4.6	5.9	10.4	15.6	27.4	35.1
						1.2	3.1	4.4	5.5	9.8	14.6	25.8	33.0
						1.2	2.9	4.1	5.3	9.4	14.0	24.5	31.4
		115° F (158.4)	-40° F (14.7 in. hg)	140° 180° 220°	6	1.8	4.6	6.6	8.4	14.8	22.0	38.7	49.6
						1.7	4.4	6.2	7.9	13.9	20.7	36.4	46.6
						1.6	4.1	5.9	7.5	13.2	19.7	34.7	44.3
115° F (158.4)	0° F (6.5)			140° 180° 220°	3	1.4	3.7	5.2	6.6	11.7	17.4	30.7	39.3
						1.4	3.5	4.9	6.2	11.0	16.4	28.8	36.9
						1.3	3.3	4.6	5.9	10.5	15.6	27.5	35.2
		115° F (158.4)	0° F (6.5)	140° 180° 220°	6	2.0	5.2	7.3	9.3	16.5	24.7	43.3	55.5
						1.9	4.9	6.9	8.8	15.5	23.2	40.7	52.1
						1.8	4.6	6.6	8.4	14.8	22.1	38.8	49.6
115° F (158.4)	40° F (6.5)			140° 180° 220°	3	1.6	4.0	5.7	7.3	12.9	19.2	33.8	43.3
						1.5	3.8	5.4	6.8	12.1	18.1	31.8	40.7
						1.4	3.6	5.1	6.5	11.5	17.2	30.3	38.7
		115° F (158.4)	40° F (6.5)	140° 180° 220°	6	2.2	5.7	8.1	10.3	18.2	27.2	47.8	61.1
						2.1	5.4	7.6	9.7	17.1	25.5	44.9	57.4
						2.0	5.1	7.2	9.2	16.3	24.3	42.7	54.7

**A8 Discharge Capacities (Kilowatts)**

**R134a**

Cond Temp (Sat Pres) bar	Evap Temp (Sat Pres) bar	Discharge Temp	Pres Drop bar	A8A 3/8" 9 mm	A8A 5/8" 15 mm	A8A 7/8" 22 mm	A81 1-1/8" 28 mm	A81 1-3/8" 35 mm	A82 1-5/8" 42 mm	A82 2-1/8" 54 mm	A82 2-5/8" 66 mm			
25° C (5.5)	-40° C (373 mm hg)	60°	0.2	3.9	10.0	14.1	18.0	31.8	47.4	83.4	106.7			
				80°	3.8	9.6	13.5	17.2	30.5	45.5	80.0	102.4		
				100°	3.6	9.2	13.1	16.6	29.4	43.9	77.2	98.8		
		25° C (5.5)	-20° C (91.4 mm hg)	60°	0.4	5.5	14.0	19.9	25.4	44.8	66.9	117.4	150.1	
						80°	5.3	13.5	19.1	24.4	43.0	64.2	112.7	144.1
						100°	5.1	13.0	18.4	23.5	41.4	61.9	108.7	139.0
25° C (5.5)	0° C (1.9)			60°	0.2	4.6	11.7	16.5	21.0	37.1	55.4	97.4	124.6	
						80°	4.4	11.2	15.8	20.2	35.6	53.2	93.5	119.7
						100°	4.2	10.8	15.3	19.4	34.4	51.3	90.2	115.5
		30° C (6.7)	-40° C (373 mm hg)	60°	0.4	6.4	16.4	23.2	29.7	52.3	78.1	137.2	175.4	
						80°	6.1	15.7	22.3	28.5	50.2	75.0	131.7	168.3
						100°	5.9	15.2	21.5	27.5	48.4	72.3	127.0	162.4
30° C (6.7)	-20° C (91.4 mm hg)			60°	0.2	4.1	10.3	14.6	18.6	32.9	49.0	86.2	110.4	
						80°	3.9	9.9	14.0	17.8	31.5	47.0	82.6	105.7
						100°	3.7	9.5	13.5	17.1	30.3	45.2	79.6	101.8
		30° C (6.7)	0° C (1.9)	60°	0.4	5.7	14.5	20.6	26.3	46.4	69.3	121.7	155.6	
						80°	5.4	13.9	19.7	25.2	44.4	66.3	116.5	149.0
						100°	5.2	13.4	19.0	24.2	42.8	63.9	112.2	143.4
30° C (6.7)	-20° C (91.4 mm hg)			60°	0.2	4.4	11.3	15.9	20.2	35.8	53.4	94.0	120.3	
						80°	4.2	10.8	15.2	19.4	34.3	51.2	90.0	115.2
						100°	4.1	10.4	14.7	18.7	33.0	49.3	86.7	111.0
		30° C (6.7)	0° C (1.9)	60°	0.4	6.2	15.9	22.5	28.6	50.5	75.5	132.6	169.6	
						80°	5.9	15.2	21.5	27.4	48.4	72.3	126.9	162.3
						100°	5.7	14.6	20.7	26.4	46.6	69.6	122.2	156.3
35° C (7.8)	-40° C (373 mm hg)			60°	0.2	4.8	12.2	17.2	21.9	38.7	57.7	101.5	129.9	
						80°	4.6	11.6	16.4	20.9	37.0	55.3	97.2	124.4
						100°	4.4	11.2	15.8	20.2	35.7	53.2	93.6	119.8
		35° C (7.8)	-20° C (91.4 mm hg)	60°	0.4	6.7	17.1	24.2	30.9	54.6	81.5	143.2	183.1	
						80°	6.4	16.4	23.2	29.6	52.2	78.0	137.1	175.3
						100°	6.2	15.8	22.4	28.5	50.3	75.1	132.0	168.8
35° C (7.8)	0° C (1.9)			60°	0.2	4.2	10.7	15.0	19.2	33.9	50.6	89.0	113.9	
						80°	4.0	10.2	14.4	18.3	32.4	48.3	85.0	108.7
						100°	3.8	9.8	13.8	17.6	31.1	46.4	81.7	104.5
		35° C (7.8)	-20° C (91.4 mm hg)	60°	0.4	5.9	15.0	21.2	27.1	47.8	71.4	125.5	160.6	
						80°	5.6	14.3	20.3	25.9	45.7	68.2	119.8	153.2
						100°	5.4	13.8	19.5	24.9	43.9	65.5	115.1	147.3
35° C (7.8)	0° C (1.9)			60°	0.2	4.6	11.7	16.5	21.0	37.1	55.4	97.4	124.7	
						80°	4.4	11.1	15.7	20.0	35.4	52.9	93.0	119.0
						100°	4.2	10.7	15.1	19.3	34.1	50.8	89.4	114.4
		35° C (7.8)	-20° C (91.4 mm hg)	60°	0.4	6.4	16.4	23.3	29.7	52.4	78.2	137.4	175.8	
						80°	6.1	15.7	22.2	28.3	50.0	74.6	131.1	167.7
						100°	5.9	15.1	21.3	27.2	48.0	71.7	126.0	161.2
35° C (7.8)	0° C (1.9)			60°	0.2	5.0	12.6	17.8	22.7	40.2	60.0	105.5	135.1	
						80°	4.7	12.1	17.0	21.7	38.4	57.3	100.8	129.0
						100°	4.6	11.6	16.4	20.9	36.9	55.1	96.9	124.0
		35° C (7.8)	-20° C (91.4 mm hg)	60°	0.4	7.0	17.8	25.2	32.1	56.7	84.7	148.9	190.4	
						80°	6.7	17.0	24.1	30.7	54.2	80.9	142.1	181.8
						100°	6.4	16.3	23.1	29.5	52.1	77.7	136.6	174.7



**A8 Discharge Capacities (Tons)**

**R404A**

Cond Temp (Sat Pres) psig	Evap Temp (Sat Pres) psig	Discharge Temp	Pres Drop psi	A8A 3/8" 9 mm	A8A 5/8" 15 mm	A8A 7/8" 22 mm	A81 1-1/8" 28 mm	A81 1-3/8" 35 mm	A82 1-5/8" 42 mm	A82 2-1/8" 54 mm	A82 2-5/8" 66 mm	
75° F (161.2)	-40° F (2.7)	140°	3	1.2	3.2	4.5	5.7	10.1	15.1	26.5	33.9	
				180°	1.2	3.0	4.3	5.4	9.6	14.3	25.2	32.3
				220°	1.1	2.9	4.1	5.2	9.2	13.7	24.1	30.9
		140°	6	1.8	4.5	6.3	8.1	14.3	21.3	37.5	47.9	
				180°	1.7	4.3	6.0	7.7	13.6	20.2	35.6	45.5
				220°	1.6	4.1	5.8	7.3	13.0	19.4	34.1	43.6
75° F (161.2)	0° F (33.5)	140°	3	1.4	3.6	5.0	6.4	11.3	16.9	29.7	38.0	
				180°	1.3	3.4	4.8	6.1	10.8	16.0	28.2	36.1
				220°	1.3	3.2	4.6	5.8	10.3	15.4	27.0	34.6
		140°	6	2.0	5.0	7.1	9.0	16.0	23.9	41.9	53.7	
				180°	1.9	4.8	6.7	8.6	15.2	22.7	39.8	51.0
				220°	1.8	4.6	6.4	8.2	14.5	21.7	38.1	48.8
75° F (161.2)	40° F (86.4)	140°	3	1.5	3.9	5.5	7.0	12.4	18.5	32.6	41.7	
				180°	1.5	3.7	5.2	6.7	11.8	17.6	31.0	39.7
				220°	1.4	3.6	5.0	6.4	11.3	16.9	29.7	38.0
		140°	6	2.2	5.5	7.8	9.9	17.6	26.2	46.1	58.9	
				180°	2.1	5.2	7.4	9.4	16.7	24.9	43.8	56.0
				220°	2.0	5.0	7.1	9.0	16.0	23.8	41.9	53.6
95° F (219.4)	-40° F (2.7)	140°	3	1.3	3.2	4.6	5.8	10.3	15.3	27.0	34.5	
				180°	1.2	3.0	4.3	5.5	9.7	14.4	25.4	32.5
				220°	1.1	2.9	4.1	5.2	9.2	13.7	24.1	30.9
		140°	6	1.8	4.6	6.5	8.2	14.5	21.7	38.2	48.8	
				180°	1.7	4.3	6.1	7.7	13.7	20.4	35.9	45.9
				220°	1.6	4.1	5.8	7.3	13.0	19.4	34.1	43.6
95° F (219.4)	0° F (33.5)	140°	3	1.5	3.7	5.2	6.6	11.7	17.5	30.8	39.4	
				180°	1.4	3.5	4.9	6.2	11.0	16.4	28.9	37.1
				220°	1.3	3.3	4.7	5.9	10.5	15.6	27.5	35.2
		140°	6	2.0	5.2	7.4	9.4	16.6	24.7	43.5	55.7	
				180°	1.9	4.9	6.9	8.8	15.6	23.3	40.9	52.4
				220°	1.8	4.7	6.6	8.4	14.8	22.1	38.9	49.8
95° F (219.4)	40° F (86.4)	140°	3	1.6	4.1	5.8	7.4	13.1	19.5	34.3	43.9	
				180°	1.5	3.9	5.4	6.9	12.3	18.3	32.2	41.3
				220°	1.4	3.7	5.2	6.6	11.7	17.4	30.7	39.2
		140°	6	2.3	5.8	8.2	10.4	18.5	27.6	48.5	62.0	
				180°	2.1	5.5	7.7	9.8	17.4	25.9	45.6	58.3
				220°	2.0	5.2	7.3	9.3	16.5	24.6	43.3	55.4
115° F (290.4)	-40° F (2.7)	140°	3	1.2	3.2	4.5	5.7	10.0	15.0	26.4	33.7	
				180°	1.1	2.9	4.1	5.2	9.3	13.8	24.3	31.1
				220°	1.1	2.7	3.9	4.9	8.7	13.0	22.9	29.3
		140°	6	1.8	4.5	6.3	8.0	14.2	21.2	37.3	47.7	
				180°	1.6	4.1	5.8	7.4	13.1	19.5	34.4	44.0
				220°	1.5	3.9	5.5	7.0	12.3	18.4	32.3	41.4
115° F (290.4)	0° F (33.5)	140°	3	1.5	3.7	5.2	6.7	11.8	17.6	30.9	39.6	
				180°	1.3	3.4	4.8	6.1	10.9	16.2	28.5	36.5
				220°	1.3	3.2	4.5	5.8	10.2	15.3	26.9	34.4
		140°	6	2.1	5.2	7.4	9.4	16.7	24.9	43.8	56.0	
				180°	1.9	4.8	6.8	8.7	15.4	22.9	40.3	51.6
				220°	1.8	4.5	6.4	8.2	14.5	21.6	38.0	48.6
115° F (290.4)	40° F (86.4)	140°	3	1.7	4.2	5.9	7.6	13.4	20.0	35.1	45.0	
				180°	1.5	3.9	5.5	7.0	12.4	18.4	32.4	41.5
				220°	1.4	3.7	5.2	6.6	11.6	17.3	30.5	39.1
		140°	6	2.3	6.0	8.4	10.7	19.0	28.3	49.7	63.7	
				180°	2.2	5.5	7.7	9.9	17.5	26.1	45.8	58.7
				220°	2.0	5.2	7.3	9.3	16.4	24.5	43.1	55.2



**A8 Discharge Capacities (Kilowatts) R404A**

Cond Temp (Sat Pres) bar	Evap Temp (Sat Pres) bar	Discharge Temp	Pres Drop bar	A8A 3/8" 9 mm	A8A 5/8" 15 mm	A8A 7/8" 22 mm	A81 1-1/8" 28 mm	A81 1-3/8" 35 mm	A82 1-5/8" 42 mm	A82 2-1/8" 54 mm	A82 2-5/8" 66 mm	
25° C (11.2)	-40° C (0.3)	60°	0.2	4.3	10.9	15.4	19.6	34.7	51.7	91.0	116.5	
		80°		4.1	10.4	14.7	18.7	33.1	49.4	86.8	111.2	
		100°		3.9	10.0	14.1	17.9	31.8	47.4	83.4	106.8	
	25° C (11.2)	-20° C (2.0)	60°	0.4	6.0	15.4	21.7	27.7	49.0	73.1	128.5	164.5
			80°		5.8	14.7	20.7	26.4	46.7	69.7	122.6	156.9
			100°		5.5	14.1	19.9	25.4	44.9	66.9	117.7	150.6
25° C (11.2)		0° C (4.9)	60°	0.2	4.8	12.1	17.1	21.7	38.5	57.4	101.1	129.4
			80°		4.5	11.6	16.3	20.8	36.8	54.8	96.4	123.5
			100°		4.4	11.1	15.6	19.9	35.3	52.6	92.6	118.5
	25° C (11.2)	0° C (4.9)	60°	0.4	6.7	17.1	24.1	30.8	54.4	81.2	142.7	182.7
			80°		6.4	16.3	23.0	29.4	51.9	77.4	136.2	174.2
			100°		6.1	15.6	22.1	28.2	49.8	74.3	130.7	167.3
30° C (13.1)		-40° C (0.3)	60°	0.2	5.2	13.2	18.7	23.8	42.1	62.8	110.4	141.4
			80°		5.0	12.6	17.8	22.7	40.2	59.9	105.4	134.9
			100°		4.8	12.1	17.1	21.8	38.6	57.5	101.2	129.5
	30° C (13.1)	-20° C (2.0)	60°	0.4	7.3	18.7	26.4	33.6	59.5	88.7	156.0	199.6
			80°		7.0	17.8	25.2	32.1	56.7	84.6	148.8	190.4
			100°		6.7	17.1	24.2	30.8	54.4	81.2	142.8	182.8
30° C (13.1)		0° C (4.9)	60°	0.2	4.3	11.0	15.5	19.8	35.0	52.2	91.8	117.5
			80°		4.1	10.5	14.7	18.8	33.3	49.6	87.3	111.7
			100°		3.9	10.0	14.1	18.0	31.9	47.5	83.6	107.0
	30° C (13.1)	-20° C (2.0)	60°	0.4	6.1	15.5	21.9	28.0	49.4	73.8	129.7	166.0
			80°		5.8	14.8	20.8	26.6	47.0	70.1	123.3	157.8
			100°		5.5	14.1	20.0	25.4	45.0	67.1	118.0	151.1
30° C (13.1)		0° C (4.9)	60°	0.2	4.8	12.3	17.3	22.1	39.1	58.4	102.7	131.5
			80°		4.6	11.7	16.5	21.0	37.2	55.5	97.6	125.0
			100°		4.4	11.2	15.8	20.1	35.6	53.1	93.5	119.7
	30° C (13.1)	0° C (4.9)	60°	0.4	6.8	17.4	24.5	31.3	55.3	82.5	145.1	185.7
			80°		6.5	16.5	23.3	29.7	52.6	78.4	137.9	176.5
			100°		6.2	15.8	22.3	28.5	50.3	75.1	132.0	169.0
35° C (15.1)		-40° C (0.3)	60°	0.2	5.3	13.5	19.1	24.3	43.0	64.1	112.9	144.5
			80°		5.1	12.9	18.1	23.1	40.9	61.0	107.3	137.4
			100°		4.8	12.3	17.4	22.1	39.2	58.4	102.8	131.5
	35° C (15.1)	-20° C (2.0)	60°	0.4	7.5	19.1	27.0	34.4	60.8	90.7	159.5	204.1
			80°		7.1	18.1	25.6	32.7	57.8	86.2	151.5	193.9
			100°		6.8	17.4	24.5	31.3	55.3	82.5	145.1	185.7
35° C (15.1)		0° C (4.9)	60°	0.2	4.3	11.0	15.6	19.8	35.1	52.3	92.1	117.9
			80°		4.1	10.4	14.7	18.7	33.2	49.5	87.1	111.5
			100°		3.9	10.0	14.0	17.9	31.7	47.3	83.2	106.5
	35° C (15.1)	-20° C (2.0)	60°	0.4	6.1	15.6	22.0	28.1	49.6	74.0	130.2	166.7
			80°		5.8	14.7	20.8	26.5	46.9	70.0	123.1	157.6
			100°		5.5	14.1	19.9	25.3	44.8	66.8	117.5	150.4
35° C (15.1)		0° C (4.9)	60°	0.2	4.9	12.4	17.5	22.3	39.6	59.0	103.9	133.0
			80°		4.6	11.8	16.6	21.1	37.5	55.8	98.3	125.8
			100°		4.4	11.2	15.8	20.2	35.8	53.3	93.8	120.1
	35° C (15.1)	0° C (4.9)	60°	0.4	6.9	17.6	24.8	31.7	56.0	83.5	146.9	188.1
			80°		6.5	16.6	23.5	29.9	52.9	79.0	138.9	177.8
			100°		6.2	15.9	22.4	28.6	50.5	75.4	132.6	169.7
35° C (15.1)		0° C (4.9)	60°	0.2	5.4	13.8	19.4	24.7	43.8	65.3	114.9	147.1
			80°		5.1	13.0	18.4	23.4	41.4	61.8	108.7	139.2
			100°		4.9	12.4	17.5	22.3	39.6	59.0	103.8	132.9
	35° C (15.1)	0° C (4.9)	60°	0.4	7.6	19.5	27.5	35.0	61.9	92.4	162.5	208.0
			80°		7.2	18.4	26.0	33.1	58.6	87.4	153.7	196.7
			100°		6.9	17.6	24.8	31.6	55.9	83.4	146.7	187.7



**A8 Discharge Capacities (Tons)**

**R507**

Cond Temp (Sat Pres) psig	Evap Temp (Sat Pres) psig	Discharge Temp	Pres Drop psi	A8A 3/8" 9 mm	A8A 5/8" 15 mm	A8A 7/8" 22 mm	A81 1-1/8" 28 mm	A81 1-3/8" 35 mm	A82 1-5/8" 42 mm	A82 2-1/8" 54 mm	A82 2-5/8" 66 mm		
75° F (167.0)	-40° F (5.5)	140°	3	1.3	3.2	4.5	5.8	10.2	15.2	26.8	34.3		
			180°	1.2	3.1	4.3	5.5	9.7	14.5	25.5	32.6		
			220°	1.2	2.9	4.1	5.3	9.3	13.9	24.4	31.2		
		75° F (167.0)	0° F (35.2)	140°	6	1.8	4.5	6.4	8.2	14.4	21.5	37.8	48.4
					180°	1.7	4.3	6.1	7.8	13.7	20.5	36.0	46.0
					220°	1.6	4.1	5.8	7.4	13.1	19.6	34.4	44.1
75° F (167.0)	40° F (89.8)			140°	3	1.4	3.6	5.0	6.4	11.4	16.9	29.8	38.2
					180°	1.3	3.4	4.8	6.1	10.8	16.1	28.3	36.3
					220°	1.3	3.3	4.6	5.8	10.3	15.4	27.1	34.8
		75° F (167.0)	40° F (89.8)	140°	6	2.0	5.0	7.1	9.1	16.0	23.9	42.1	53.9
					180°	1.9	4.8	6.8	8.6	15.2	22.8	40.0	51.2
					220°	1.8	4.6	6.5	8.3	14.6	21.8	38.3	49.0
95° F (226.0)	-40° F (5.5)			140°	3	1.5	3.9	5.5	7.0	12.4	18.6	32.7	41.8
					180°	1.5	3.7	5.2	6.7	11.8	17.6	31.0	39.7
					220°	1.4	3.6	5.0	6.4	11.3	16.9	29.7	38.1
		95° F (226.0)	-40° F (5.5)	140°	6	2.2	5.5	7.8	9.9	17.6	26.2	46.1	59.0
					180°	2.1	5.2	7.4	9.4	16.7	24.9	43.8	56.1
					220°	2.0	5.0	7.1	9.0	16.0	23.9	42.0	53.7
95° F (226.0)	0° F (35.2)			140°	3	1.3	3.3	4.7	6.0	10.6	15.7	27.7	35.5
					180°	1.2	3.1	4.4	5.6	9.9	14.8	26.1	33.4
					220°	1.2	3.0	4.2	5.3	9.5	14.1	24.8	31.8
		95° F (226.0)	0° F (35.2)	140°	6	1.8	4.7	6.6	8.4	14.9	22.2	39.1	50.1
					180°	1.7	4.4	6.2	7.9	14.0	20.9	36.8	47.1
					220°	1.6	4.2	5.9	7.6	13.4	19.9	35.1	44.9
95° F (226.0)	0° F (35.2)			140°	3	1.5	3.7	5.3	6.7	11.9	17.8	31.3	40.1
					180°	1.4	3.5	5.0	6.3	11.2	16.7	29.5	37.7
					220°	1.3	3.4	4.7	6.0	10.7	15.9	28.1	35.9
		95° F (226.0)	0° F (35.2)	140°	6	2.1	5.3	7.5	9.5	16.9	25.1	44.2	56.6
					180°	2.0	5.0	7.0	9.0	15.9	23.7	41.6	53.3
					220°	1.9	4.7	6.7	8.5	15.1	22.5	39.6	50.7
95° F (226.0)	40° F (89.8)			140°	3	1.6	4.2	5.9	7.5	13.2	19.7	34.7	44.4
					180°	1.5	3.9	5.5	7.0	12.4	18.6	32.7	41.8
					220°	1.5	3.7	5.3	6.7	11.9	17.7	31.1	39.8
		95° F (226.0)	40° F (89.8)	140°	6	2.3	5.9	8.3	10.6	18.7	27.9	49.0	62.7
					180°	2.2	5.5	7.8	9.9	17.6	26.2	46.1	59.0
					220°	2.1	5.3	7.4	9.5	16.7	25.0	43.9	56.2
115° F (301.0)	-40° F (5.5)			140°	3	1.6	4.2	5.9	7.5	13.2	19.7	34.7	44.4
					180°	1.5	3.9	5.5	7.0	12.4	18.6	32.7	41.8
					220°	1.5	3.7	5.3	6.7	11.9	17.7	31.1	39.8
		115° F (301.0)	-40° F (5.5)	140°	6	2.3	5.9	8.3	10.6	18.7	27.9	49.0	62.7
					180°	2.2	5.5	7.8	9.9	17.6	26.2	46.1	59.0
					220°	2.1	5.3	7.4	9.5	16.7	25.0	43.9	56.2
115° F (301.0)	0° F (35.2)			140°	3	1.3	3.3	4.7	6.0	10.6	15.8	27.8	35.7
					180°	1.2	3.1	4.4	5.5	9.8	14.6	25.8	33.0
					220°	1.1	2.9	4.1	5.2	9.3	13.8	24.3	31.1
		115° F (301.0)	0° F (35.2)	140°	6	1.9	4.7	6.7	8.5	15.0	22.4	39.4	50.4
					180°	1.7	4.4	6.2	7.8	13.9	20.7	36.4	46.6
					220°	1.6	4.1	5.8	7.4	13.1	19.5	34.4	44.0
115° F (301.0)	0° F (35.2)			140°	3	1.5	3.9	5.4	6.9	12.3	18.3	32.2	41.2
					180°	1.4	3.6	5.0	6.4	11.3	16.9	29.8	38.1
					220°	1.3	3.4	4.7	6.0	10.7	16.0	28.1	36.0
		115° F (301.0)	0° F (35.2)	140°	6	2.1	5.5	7.7	9.8	17.4	25.9	45.6	58.3
					180°	2.0	5.0	7.1	9.1	16.0	23.9	42.1	53.9
					220°	1.9	4.8	6.7	8.5	15.1	22.6	39.7	50.8
115° F (301.0)	40° F (89.8)			140°	3	1.7	4.3	6.1	7.8	13.8	20.6	36.3	46.5
					180°	1.6	4.0	5.7	7.2	12.8	19.1	33.6	43.0
					220°	1.5	3.8	5.3	6.8	12.1	18.0	31.7	40.6
		115° F (301.0)	40° F (89.8)	140°	6	2.4	6.1	8.7	11.1	19.6	29.2	51.3	65.7
					180°	2.2	5.7	8.0	10.2	18.1	27.0	47.5	60.7
					220°	2.1	5.4	7.6	9.6	17.1	25.4	44.8	57.3

**A8 Discharge Capacities (Kilowatts)**

**R507**

Cond Temp (Sat Pres) bar	Evap Temp (Sat Pres) bar	Discharge Temp	Pres Drop bar	A8A	A8A	A8A	A81	A81	A82	A82	A82
				3/8" 9 mm	5/8" 15 mm	7/8" 22 mm	1-1/8" 28 mm	1-3/8" 35 mm	1-5/8" 42 mm	2-1/8" 54 mm	2-5/8" 66 mm
25° C (11.6)	-40° C (0.4)	60° 80° 100°	0.2	4.3	11.0	15.6	19.8	35.1	52.3	92.1	117.9
				4.1	10.5	14.9	18.9	33.5	50.0	87.9	112.6
				4.0	10.1	14.3	18.2	32.2	48.0	84.5	108.1
		60° 80° 100°	0.4	6.1	15.6	22.0	28.0	49.6	74.0	130.1	166.5
				5.8	14.9	21.0	26.8	47.3	70.6	124.1	158.8
				5.6	14.3	20.2	25.7	45.4	67.8	119.3	152.6
25° C (11.6)	-20° C (2.1)	60° 80° 100°	0.2	4.8	12.2	17.2	21.9	38.7	57.8	101.6	130.1
				4.6	11.6	16.4	20.9	37.0	55.1	97.0	124.2
				4.4	11.2	15.8	20.1	35.5	53.0	93.2	119.4
		60° 80° 100°	0.4	6.7	17.2	24.3	30.9	54.7	81.7	143.6	183.7
				6.4	16.4	23.2	29.5	52.2	77.9	137.0	175.3
				6.2	15.8	22.3	28.4	50.2	74.9	131.6	168.4
25° C (11.6)	0° C (5.2)	60° 80° 100°	0.2	5.2	13.3	18.7	23.8	42.2	62.9	110.7	141.7
				5.0	12.7	17.9	22.7	40.3	60.1	105.7	135.3
				4.8	12.2	17.2	21.9	38.7	57.7	101.6	130.0
		60° 80° 100°	0.4	7.3	18.7	26.4	33.7	59.6	88.9	156.4	200.1
				7.0	17.9	25.2	32.2	56.9	84.9	149.2	191.0
				6.7	17.2	24.2	30.9	54.6	81.5	143.4	183.4
30° C (13.5)	-40° C (0.4)	60° 80° 100°	0.2	4.4	11.2	15.8	20.1	35.7	53.2	93.6	119.8
				4.2	10.7	15.0	19.2	33.9	50.6	89.0	114.0
				4.0	10.2	14.4	18.4	32.5	48.5	85.3	109.3
		60° 80° 100°	0.4	6.2	15.8	22.4	28.5	50.4	75.2	132.3	169.3
				5.9	15.1	21.3	27.1	47.9	71.5	125.7	160.9
				5.7	14.4	20.4	26.0	45.9	68.5	120.5	154.2
30° C (13.5)	-20° C (2.1)	60° 80° 100°	0.2	4.9	12.4	17.6	22.4	39.6	59.1	103.9	133.0
				4.7	11.8	16.7	21.3	37.7	56.2	98.8	126.5
				4.5	11.4	16.0	20.4	36.1	53.8	94.8	121.3
		60° 80° 100°	0.4	6.9	17.6	24.8	31.6	56.0	83.5	146.9	187.9
				6.6	16.7	23.6	30.1	53.2	79.4	139.6	178.7
				6.3	16.0	22.6	28.8	51.0	76.1	133.8	171.3
30° C (13.5)	0° C (5.2)	60° 80° 100°	0.2	5.4	13.6	19.2	24.5	43.3	64.6	113.7	145.6
				5.1	13.0	18.3	23.3	41.2	61.5	108.2	138.5
				4.9	12.4	17.5	22.3	39.5	58.9	103.7	132.8
		60° 80° 100°	0.4	7.6	19.2	27.2	34.6	61.3	91.4	160.7	205.7
				7.2	18.3	25.8	32.9	58.2	86.9	152.8	195.6
				6.9	17.5	24.8	31.6	55.8	83.3	146.5	187.4
35° C (15.6)	-40° C (0.4)	60° 80° 100°	0.2	4.5	11.3	16.0	20.4	36.1	53.8	94.6	121.1
				4.2	10.7	15.1	19.3	34.1	50.9	89.6	114.7
				4.0	10.3	14.5	18.4	32.6	48.7	85.6	109.6
		60° 80° 100°	0.4	6.3	16.0	22.6	28.8	51.0	76.0	133.7	171.1
				6.0	15.1	21.4	27.3	48.2	71.9	126.5	161.9
				5.7	14.5	20.4	26.0	46.1	68.7	120.9	154.8
35° C (15.6)	-20° C (2.1)	60° 80° 100°	0.2	5.0	12.7	17.9	22.8	40.3	60.1	105.8	135.5
				4.7	12.0	16.9	21.5	38.2	56.9	100.2	128.2
				4.5	11.5	16.2	20.6	36.5	54.4	95.8	122.6
		60° 80° 100°	0.4	7.0	17.9	25.3	32.2	57.0	85.0	149.5	191.4
				6.7	16.9	23.9	30.5	53.9	80.4	141.5	181.1
				6.4	16.2	22.9	29.1	51.5	76.9	135.2	173.1
35° C (15.6)	0° C (5.2)	60° 80° 100°	0.2	5.5	13.9	19.7	25.0	44.4	66.2	116.4	149.1
				5.2	13.2	18.6	23.7	42.0	62.6	110.2	141.1
				5.0	12.6	17.8	22.7	40.2	59.9	105.4	134.9
		60° 80° 100°	0.4	7.7	19.7	27.8	35.4	62.7	93.5	164.5	210.6
				7.3	18.6	26.3	33.5	59.3	88.5	155.7	199.3
				7.0	17.8	25.2	32.1	56.7	84.6	148.8	190.5

**CK4A Hot Gas Discharge Capacities - Tons R22 Refrigeration & Air Conditioning Control Valves**

CK4A Hot Gas Discharge Capacities (Tons)											R22		
Cond Temp (Sat Pres) psig	Evap Temp (Sat Pres) psig	Discharge Temp	Pres Drop psi	1/2" 13 mm	3/4" 20 mm	1" 25 mm	1-1/4" 32 mm	2" 50 mm	2-1/2" 65 mm	3" 75 mm	4" 100 mm		
75° F (132)	-40° F (0.5)	140°	0.75	1.7	3.5	6.4	9.4	22.8	34.7	55.5	104.0		
		180°		1.6	3.4	6.2	9.0	21.8	33.1	53.0	99.4		
		220°		1.5	3.2	5.9	8.6	20.9	31.9	51.0	95.6		
		75° F (132)	0° F (24.0)	140°	3	3.4	7.0	12.8	18.8	45.4	69.1	110.6	207.4
				180°		3.2	6.7	12.3	17.9	43.4	66.0	105.7	198.1
				220°		3.1	6.4	11.8	17.2	41.7	63.5	101.5	190.4
75° F (132)	40° F (68.5)			140°	0.75	1.9	3.9	7.2	10.5	25.4	38.6	61.7	115.7
				180°		1.8	3.7	6.8	10.0	24.2	36.9	59.0	110.6
				220°		1.7	3.6	6.6	9.6	23.3	35.4	56.7	106.3
		95° F (182)	-40° F (0.5)	140°	3	3.7	7.8	14.3	20.9	50.5	76.9	123.0	230.7
				180°		3.6	7.5	13.6	19.9	48.3	73.5	117.5	220.4
				220°		3.4	7.2	13.1	19.2	46.4	70.6	113.0	211.8
95° F (182)	0° F (24.0)			140°	0.75	2.0	4.1	7.5	10.9	26.4	40.2	64.3	120.5
				180°		1.9	3.9	7.1	10.4	25.1	38.1	61.0	114.4
				220°		1.8	3.7	6.8	9.9	24.0	36.5	58.4	109.5
		95° F (182)	40° F (68.5)	140°	3	3.9	8.1	14.9	21.8	52.7	80.2	128.3	240.5
				180°		3.7	7.7	14.1	20.7	50.0	76.1	121.7	228.2
				220°		3.5	7.4	13.5	19.8	47.8	72.8	116.5	218.4
115° F (243)	-40° F (0.5)			140°	0.75	2.1	4.3	7.9	11.5	27.8	42.4	67.8	127.1
				180°		2.0	4.1	7.5	10.9	26.4	40.2	64.3	120.6
				220°		1.9	3.9	7.1	10.4	25.3	38.5	61.6	115.5
		115° F (243)	0° F (24.0)	140°	3	4.1	8.6	15.7	22.9	55.5	84.5	135.2	253.5
				180°		3.9	8.1	14.9	21.8	52.7	80.2	128.3	240.6
				220°		3.7	7.8	14.3	20.8	50.4	76.7	122.8	230.2
115° F (243)	40° F (68.5)			140°	0.75	2.0	4.1	7.5	11.0	26.7	40.6	64.9	121.7
				180°		1.9	3.9	7.1	10.3	25.0	38.1	61.0	114.3
				220°		1.8	3.7	6.7	9.8	23.8	36.2	58.0	108.7
		115° F (243)	-40° F (0.5)	140°	3	3.9	8.2	15.0	22.0	53.3	81.0	129.7	243.1
				180°		3.7	7.7	14.1	20.6	50.0	76.1	121.7	228.2
				220°		3.5	7.3	13.4	19.6	47.5	72.3	115.7	216.9
115° F (243)	0° F (24.0)			140°	0.75	2.1	4.4	8.1	11.8	28.6	43.5	69.6	130.5
				180°		2.0	4.1	7.6	11.1	26.8	40.8	65.3	122.5
				220°		1.9	3.9	7.2	10.5	25.5	38.8	62.1	116.5
		115° F (243)	40° F (68.5)	140°	3	4.2	8.8	16.1	23.6	57.1	86.8	138.9	260.5
				180°		4.0	8.3	15.1	22.1	53.6	81.5	130.4	244.5
				220°		3.8	7.9	14.4	21.0	50.9	77.5	124.0	232.5
115° F (243)	-40° F (0.5)			140°	0.75	2.2	4.7	8.6	12.5	30.3	46.1	73.7	138.2
				180°		2.1	4.4	8.0	11.7	28.4	43.2	69.2	129.7
				220°		2.0	4.2	7.6	11.2	27.0	41.1	65.8	123.4
		115° F (243)	0° F (24.0)	140°	3	4.5	9.3	17.1	25.0	60.4	92.0	147.2	276.0
				180°		4.2	8.8	16.0	23.4	56.7	86.3	138.1	259.0
				220°		4.0	8.3	15.2	22.3	53.9	82.1	131.3	246.3





**CK4A Hot Gas Discharge Capacities (Kilowatts)**

**R22**

Cond Temp (Sat Pres) bar	Evap Temp (Sat Pres) bar	Discharge Temp	Pres Drop bar	1/2" 13 mm	3/4" 20 mm	1" 25 mm	1-1/4" 32 mm	2" 50 mm	2-1/2" 65 mm	3" 75 mm	4" 100 mm		
25° C (9.2)	-40° C (0.0)	60°	0.05	5.8	12.2	22.3	32.7	79.1	120.3	192.5	360.9		
		80°		5.6	11.7	21.4	31.3	75.8	115.4	184.7	346.2		
		100°		5.4	11.3	20.7	30.2	73.1	111.3	178.0	333.8		
	25° C (9.2)	-20° C (1.4)	60°	0.21	11.9	24.9	45.6	66.7	161.4	245.6	392.9	736.7	
			80°		11.4	23.9	43.7	63.9	154.8	235.5	376.8	706.5	
			100°		11.0	23.0	42.2	61.6	149.2	227.0	363.2	681.0	
		25° C (9.2)	0° C (4.0)	60°	0.05	6.4	13.5	24.7	36.0	87.3	132.8	212.5	398.3
				80°		6.2	12.9	23.7	34.6	83.7	127.4	203.8	382.1
				100°		6.0	12.5	22.8	33.3	80.7	122.8	196.5	368.4
30° C (10.9)			-40° C (0.0)	60°	0.21	13.2	27.5	50.3	73.6	178.1	271.0	433.6	813.0
				80°		12.6	26.4	48.3	70.5	170.8	259.9	415.8	779.7
				100°		12.2	25.4	46.5	68.0	164.6	250.5	400.8	751.5
	30° C (10.9)		-20° C (1.4)	60°	0.05	6.4	13.4	24.5	35.9	86.8	132.1	211.4	396.4
				80°		6.1	12.8	23.5	34.3	83.1	126.4	202.3	379.2
				100°		5.9	12.3	22.6	33.0	80.0	121.7	194.7	365.0
		30° C (10.9)	0° C (4.0)	60°	0.21	13.1	27.4	50.1	73.2	177.3	269.9	431.8	809.6
				80°		12.5	26.2	47.9	70.1	169.6	258.1	413.0	774.4
				100°		12.1	25.2	46.1	67.4	163.2	248.4	397.4	745.2
35° C (12.6)			-40° C (0.0)	60°	0.05	6.7	14.0	25.7	37.6	91.0	138.5	221.6	415.5
				80°		6.4	13.4	24.6	36.0	87.1	132.5	212.0	397.6
				100°		6.2	12.9	23.7	34.6	83.8	127.5	204.1	382.6
	35° C (12.6)		-20° C (1.4)	60°	0.21	13.7	28.7	52.5	76.8	185.9	282.9	452.6	848.7
				80°		13.1	27.4	50.3	73.5	177.8	270.6	433.0	811.9
				100°		12.6	26.4	48.4	70.7	171.1	260.4	416.6	781.2
		35° C (12.6)	0° C (4.0)	60°	0.05	6.3	13.1	24.1	35.2	85.2	129.6	207.4	388.9
				80°		6.0	12.5	23.0	33.6	81.3	123.7	197.8	371.0
				100°		5.8	12.0	22.1	32.2	78.0	118.8	190.0	356.3
35° C (12.6)			-40° C (0.0)	60°	0.21	12.9	26.9	49.2	71.9	174.1	265.0	424.0	795.0
				80°		12.3	25.6	46.9	68.6	166.1	252.7	404.3	758.1
				100°		11.8	24.6	45.1	65.9	159.5	242.7	388.3	728.0
	35° C (12.6)		-20° C (1.4)	60°	0.05	6.7	13.9	25.5	37.3	90.2	137.3	219.6	411.8
				80°		6.4	13.3	24.3	35.5	86.0	130.9	209.5	392.8
				100°		6.1	12.8	23.4	34.1	82.6	125.8	201.2	377.3
		35° C (12.6)	0° C (4.0)	60°	0.21	13.6	28.5	52.1	76.2	184.4	280.6	449.0	841.8
				80°		13.0	27.1	49.7	72.6	175.8	267.6	428.1	802.8
				100°		12.5	26.1	47.7	69.7	168.9	257.0	411.1	770.9
35° C (12.6)			-40° C (0.0)	60°	0.05	7.0	14.6	26.8	39.1	94.7	144.2	230.7	432.5
				80°		6.7	13.9	25.5	37.3	90.4	137.5	220.0	412.5
				100°		6.4	13.4	24.5	35.8	86.8	132.1	211.3	396.2
	35° C (12.6)		-20° C (1.4)	60°	0.21	14.3	29.9	54.7	80.0	193.7	294.7	471.5	884.1
				80°		13.6	28.5	52.2	76.3	184.7	281.0	449.6	843.1
				100°		13.1	27.4	50.1	73.2	177.3	269.9	431.8	809.6



**CK4A Hot Gas Discharge Capacities (Tons)**

**R134a**

Cond Temp (Sat Pres) psig	Evap Temp (Sat Pres) psig	Discharge Temp	Pres Drop psi	1/2" 13 mm	3/4" 20 mm	1" 25 mm	1-1/4" 32 mm	2" 50 mm	2-1/2" 65 mm	3" 75 mm	4" 100 mm
75° F (78.6)	-40° F (14.7 in hg)	140°	0.75	1.3	2.7	4.9	7.2	17.5	26.6	42.6	79.9
		180°		1.2	2.6	4.7	6.9	16.7	25.5	40.8	76.5
		220°		1.2	2.5	4.6	6.7	16.1	24.5	39.2	73.6
		140°	3	2.6	5.4	9.8	14.4	34.8	52.9	84.6	158.7
		180°		2.5	5.1	9.4	13.7	33.2	50.6	80.9	151.8
		220°		2.4	4.9	9.0	13.2	32.0	48.7	77.9	146.0
75° F (78.6)	0° F (6.5)	140°	0.75	1.4	3.0	5.4	7.9	19.1	29.1	46.6	87.4
		180°		1.4	2.8	5.2	7.6	18.3	27.9	44.6	83.6
		220°		1.3	2.7	5.0	7.3	17.6	26.8	42.9	80.5
		140°	3	2.8	5.9	10.7	15.7	38.0	57.8	92.5	173.5
		180°		2.7	5.6	10.3	15.0	36.4	55.3	88.5	165.9
		220°		2.6	5.4	9.9	14.4	35.0	53.2	85.1	159.6
75° F (78.6)	40° F (35.1)	140°	0.75	1.5	3.2	5.9	8.6	20.7	31.5	50.4	94.6
		180°		1.5	3.1	5.6	8.2	19.8	30.2	48.3	90.5
		220°		1.4	2.9	5.4	7.9	19.1	29.0	46.4	87.1
		140°	3	3.0	6.3	11.6	17.0	41.1	62.6	100.1	187.8
		180°		2.9	6.1	11.1	16.2	39.3	59.9	95.8	179.6
		220°		2.8	5.8	10.7	15.6	37.8	57.6	92.1	172.8
95° F (113.8)	-40° F (14.7 in hg)	140°	0.75	1.4	2.9	5.3	7.8	18.8	28.7	45.9	86.0
		180°		1.3	2.8	5.1	7.4	17.9	27.3	43.6	81.8
		220°		1.3	2.7	4.9	7.1	17.2	26.1	41.8	78.4
		140°	3	2.8	5.8	10.6	15.5	37.5	57.1	91.3	171.2
		180°		2.6	5.5	10.1	14.7	35.6	54.2	86.8	162.7
		220°		2.5	5.3	9.7	14.1	34.2	52.0	83.2	155.9
95° F (113.8)	0° F (6.5)	140°	0.75	1.5	3.2	5.9	8.6	20.8	31.7	50.7	95.0
		180°		1.5	3.1	5.6	8.2	19.8	30.1	48.2	90.3
		220°		1.4	2.9	5.4	7.8	19.0	28.9	46.2	86.6
		140°	3	3.1	6.4	11.7	17.1	41.4	63.0	100.8	189.1
		180°		2.9	6.1	11.1	16.3	39.4	59.9	95.8	179.7
		220°		2.8	5.8	10.7	15.6	37.7	57.4	91.8	172.2
95° F (113.8)	40° F (35.1)	140°	0.75	1.7	3.5	6.4	9.4	22.7	34.6	55.3	103.7
		180°		1.6	3.3	6.1	8.9	21.6	32.9	52.6	98.6
		220°		1.5	3.2	5.8	8.5	20.7	31.5	50.4	94.5
		140°	3	3.3	7.0	12.8	18.7	45.2	68.8	110.0	206.3
		180°		3.2	6.6	12.1	17.7	42.9	65.3	104.6	196.0
		220°		3.0	6.4	11.6	17.0	41.1	62.6	100.2	187.8
115° F (158.4)	-40° F (14.7 in hg)	140°	0.75	1.5	3.1	5.6	8.2	19.9	30.3	48.4	90.8
		180°		1.4	2.9	5.3	7.7	18.7	28.5	45.6	85.4
		220°		1.3	2.8	5.0	7.4	17.8	27.1	43.4	81.4
		140°	3	2.9	6.1	11.2	16.4	39.7	60.3	96.5	181.0
		180°		2.8	5.8	10.5	15.4	37.3	56.7	90.8	170.2
		220°		2.6	5.5	10.0	14.7	35.5	54.0	86.5	162.1
115° F (158.4)	0° F (6.5)	140°	0.75	1.6	3.4	6.3	9.2	22.2	33.9	54.2	101.6
		180°		1.5	3.2	5.9	8.6	20.9	31.8	51.0	95.5
		220°		1.5	3.1	5.6	8.2	19.9	30.3	48.5	91.0
		140°	3	3.3	6.8	12.5	18.3	44.4	67.5	108.0	202.5
		180°		3.1	6.4	11.8	17.2	41.7	63.5	101.5	190.4
		220°		2.9	6.1	11.2	16.4	39.7	60.4	96.7	181.3
115° F (158.4)	40° F (35.1)	140°	0.75	1.8	3.8	6.9	10.1	24.5	37.3	59.7	111.9
		180°		1.7	3.6	6.5	9.5	23.1	35.1	56.2	105.3
		220°		1.6	3.4	6.2	9.1	22.0	33.4	53.5	100.3
		140°	3	3.6	7.5	13.8	20.2	48.9	74.4	119.0	223.1
		180°		3.4	7.1	13.0	19.0	46.0	69.9	111.9	209.8
		220°		3.2	6.8	12.4	18.1	43.8	66.6	106.6	199.8

**CK4A Hot Gas Discharge Capacities (Kilowatts)**

**R134a**

Cond Temp (Sat Pres) bar	Evap Temp (Sat Pres) bar	Discharge Temp	Pres Drop bar	1/2" 13 mm	3/4" 20 mm	1" 25 mm	1-1/4" 32 mm	2" 50 mm	2-1/2" 65 mm	3" 75 mm	4" 100 mm			
25° C (5.5)	-40° C (373 mm hg)	60°	0.05	4.5	9.3	17.1	25.0	60.6	92.2	147.4	276.5			
				80°	4.3	9.0	16.4	24.0	58.2	88.5	141.6	265.5		
				100°	4.1	8.7	15.9	23.2	56.1	85.4	136.6	256.2		
		25° C (5.5)	-20° C (91.4 mm hg)	60°	0.05	9.1	19.0	34.8	50.9	123.2	187.5	300.1	562.6	
						80°	8.7	18.3	33.4	48.9	118.3	180.0	288.1	540.1
						100°	8.4	17.6	32.3	47.1	114.1	173.7	277.9	521.1
25° C (5.5)	0° C (1.9)			60°	0.05	4.9	10.1	18.6	27.2	65.7	100.0	160.1	300.1	
						80°	4.7	9.7	17.8	26.1	63.1	96.1	153.7	288.2
						100°	4.5	9.4	17.2	25.2	60.9	92.7	148.3	278.1
		25° C (5.5)	0° C (1.9)	60°	0.21	9.9	20.7	37.8	55.3	133.8	203.6	325.8	610.8	
						80°	9.5	19.8	36.3	53.1	128.4	195.5	312.7	586.4
						100°	9.2	19.1	35.0	51.2	123.9	188.6	301.7	565.7
30° C (6.7)	-40° C (373 mm hg)			60°	0.05	5.2	10.9	20.0	29.2	70.8	107.7	172.3	323.0	
						80°	5.0	10.5	19.2	28.1	67.9	103.4	165.4	310.2
						100°	4.8	10.1	18.5	27.1	65.6	99.8	159.6	299.3
		30° C (6.7)	-20° C (91.4 mm hg)	60°	0.21	10.6	22.2	40.7	59.5	144.0	219.1	350.6	657.4	
						80°	10.2	21.3	39.1	57.1	138.2	210.4	336.6	631.1
						100°	9.9	20.6	37.7	55.1	133.4	203.0	324.7	608.9
30° C (6.7)	-40° C (373 mm hg)			60°	0.05	4.6	9.7	17.7	25.9	62.7	95.3	152.5	286.0	
						80°	4.4	9.3	17.0	24.8	60.0	91.3	146.1	274.0
						100°	4.3	8.9	16.3	23.9	57.8	88.0	140.8	264.0
		30° C (6.7)	-20° C (91.4 mm hg)	60°	0.21	9.4	19.7	36.1	52.7	127.6	194.2	310.7	582.5	
						80°	9.0	18.9	34.5	50.5	122.2	185.9	297.5	557.8
						100°	8.7	18.2	33.3	48.6	117.7	179.1	286.6	537.3
30° C (6.7)	0° C (1.9)			60°	0.05	5.0	10.5	19.3	28.2	68.3	103.9	166.3	311.7	
						80°	4.8	10.1	18.5	27.0	65.4	99.5	159.3	298.6
						100°	4.7	9.7	17.8	26.0	63.0	95.9	153.5	287.7
		30° C (6.7)	0° C (1.9)	60°	0.21	10.3	21.5	39.3	57.4	139.1	211.6	338.6	634.8	
						80°	9.8	20.6	37.6	55.0	133.2	202.7	324.2	608.0
						100°	9.5	19.8	36.3	53.0	128.3	195.2	312.3	585.6
35° C (7.8)	-40° C (373 mm hg)			60°	0.05	5.4	11.4	20.8	30.5	73.7	112.2	179.5	336.6	
						80°	5.2	10.9	20.0	29.2	70.6	107.5	172.0	322.4
						100°	5.0	10.5	19.2	28.1	68.1	103.6	165.7	310.7
		35° C (7.8)	-20° C (91.4 mm hg)	60°	0.21	11.1	23.2	42.4	62.0	150.1	228.5	365.6	685.4	
						80°	10.6	22.2	40.6	59.4	143.8	218.8	350.1	656.4
						100°	10.2	21.4	39.1	57.2	138.5	210.8	337.2	632.3
35° C (7.8)	-40° C (373 mm hg)			60°	0.05	5.4	11.4	20.8	30.5	73.7	112.2	179.5	336.6	
						80°	5.2	10.9	20.0	29.2	70.6	107.5	172.0	322.4
						100°	5.0	10.5	19.2	28.1	68.1	103.6	165.7	310.7
		35° C (7.8)	-20° C (91.4 mm hg)	60°	0.21	11.1	23.2	42.4	62.0	150.1	228.5	365.6	685.4	
						80°	10.6	22.2	40.6	59.4	143.8	218.8	350.1	656.4
						100°	10.2	21.4	39.1	57.2	138.5	210.8	337.2	632.3
35° C (7.8)	0° C (1.9)			60°	0.05	4.8	10.0	18.3	26.7	64.6	98.3	157.3	294.9	
						80°	4.6	9.5	17.4	25.5	61.7	93.9	150.3	281.7
						100°	4.4	9.2	16.8	24.5	59.3	90.3	144.5	270.9
		35° C (7.8)	0° C (1.9)	60°	0.21	9.7	20.3	37.2	54.4	131.7	200.4	320.7	601.3	
						80°	9.3	19.4	35.5	51.9	125.8	191.4	306.2	574.1
						100°	8.9	18.7	34.2	49.9	120.9	184.0	294.4	552.0
35° C (7.8)	-20° C (91.4 mm hg)			60°	0.05	5.2	10.9	20.0	29.2	70.7	107.6	172.2	322.9	
						80°	5.0	10.4	19.1	27.9	67.6	102.8	164.5	308.4
						100°	4.8	10.0	18.4	26.8	65.0	98.9	158.2	296.6
		35° C (7.8)	-20° C (91.4 mm hg)	60°	0.21	10.7	22.3	40.7	59.6	144.2	219.4	351.0	658.2	
						80°	10.2	21.2	38.9	56.9	137.7	209.5	335.2	628.5
						100°	9.8	20.4	37.4	54.7	132.4	201.4	322.3	604.2
35° C (7.8)	0° C (1.9)			60°	0.05	5.7	11.8	21.7	31.7	76.6	116.6	186.6	349.8	
						80°	5.4	11.3	20.7	30.2	73.2	111.4	178.2	334.2
						100°	5.2	10.9	19.9	29.1	70.4	107.1	171.4	321.3
		35° C (7.8)	0° C (1.9)	60°	0.21	11.5	24.1	44.2	64.5	156.2	237.7	380.4	713.2	
						80°	11.0	23.0	42.2	61.6	149.2	227.0	363.2	681.0
						100°	10.6	22.1	40.5	59.2	143.4	218.2	349.2	654.7



**CK4A Hot Gas Discharge Capacities (Tons)**

**R404A**

Cond Temp (Sat Pres) psig	Evap Temp (Sat Pres) psig	Discharge Temp	Pres Drop psi	1/2" 13 mm	3/4" 20 mm	1" 25 mm	1-1/4" 32 mm	2" 50 mm	2-1/2" 65 mm	3" 75 mm	4" 100 mm
75° F (161.2)	-40° F (2.7)	140° 180° 220°	0.75	1.4	3.0	5.4	7.9	19.2	29.3	46.8	87.8
				1.4	2.8	5.2	7.6	18.3	27.8	44.5	83.5
				1.3	2.7	5.0	7.2	17.5	26.7	42.6	80.0
		140° 180° 220°	3	2.8	5.9	10.8	15.8	38.4	58.4	93.4	175.1
				2.7	5.6	10.3	15.1	36.5	55.5	88.8	166.4
				2.6	5.4	9.9	14.4	34.9	53.1	85.0	159.3
75° F (161.2)	0° F (33.5)	140° 180° 220°	0.75	1.6	3.3	6.1	8.9	21.5	32.8	52.5	98.3
				1.5	3.2	5.8	8.5	20.5	31.2	49.9	93.5
				1.4	3.0	5.5	8.1	19.6	29.8	47.7	89.5
		140° 180° 220°	3	3.2	6.6	12.1	17.7	42.9	65.4	104.6	196.1
				3.0	6.3	11.5	16.9	40.8	62.1	99.4	186.3
				2.9	6.0	11.0	16.1	39.1	59.5	95.1	178.4
75° F (161.2)	40° F (86.4)	140° 180° 220°	0.75	1.7	3.7	6.7	9.8	23.7	36.0	57.6	108.0
				1.7	3.5	6.4	9.3	22.5	34.2	54.8	102.7
				1.6	3.3	6.1	8.9	21.5	32.8	52.4	98.3
		140° 180° 220°	3	3.5	7.3	13.3	19.5	47.2	71.8	114.8	215.3
				3.3	6.9	12.7	18.5	44.8	68.2	109.2	204.7
				3.2	6.6	12.1	17.7	42.9	65.3	104.5	195.9
95° F (219.4)	-40° F (2.7)	140° 180° 220°	0.75	1.4	3.0	5.5	8.1	19.6	29.8	47.6	89.3
				1.4	2.8	5.2	7.6	18.4	28.0	44.8	84.1
				1.3	2.7	5.0	7.2	17.5	26.7	42.6	80.0
		140° 180° 220°	3	2.9	6.0	11.0	16.1	39.1	59.4	95.1	178.3
				2.7	5.7	10.4	15.2	36.7	55.9	89.5	167.7
				2.6	5.4	9.9	14.4	34.9	53.2	85.1	159.5
95° F (219.4)	0° F (33.5)	140° 180° 220°	0.75	1.6	3.4	6.3	9.2	22.3	34.0	54.3	101.9
				1.6	3.2	5.9	8.7	21.0	32.0	51.1	95.9
				1.5	3.1	5.6	8.3	20.0	30.4	48.6	91.2
		140° 180° 220°	3	3.3	6.9	12.6	18.4	44.5	67.8	108.5	203.4
				3.1	6.5	11.8	17.3	41.9	63.8	102.0	191.3
				2.9	6.2	11.3	16.5	39.9	60.7	97.0	182.0
95° F (219.4)	40° F (86.4)	140° 180° 220°	0.75	1.8	3.8	7.0	10.3	24.8	37.8	60.5	113.4
				1.7	3.6	6.6	9.7	23.4	35.6	56.9	106.7
				1.6	3.4	6.3	9.2	22.2	33.9	54.2	101.6
		140° 180° 220°	3	3.7	7.7	14.0	20.5	49.6	75.5	120.8	226.4
				3.4	7.2	13.2	19.3	46.7	71.0	113.6	213.0
				3.3	6.8	12.5	18.3	44.4	67.5	108.0	202.6
115° F (290.4)	-40° F (2.7)	140° 180° 220°	0.75	1.4	2.9	5.4	7.9	19.1	29.1	46.5	87.2
				1.3	2.7	5.0	7.3	17.6	26.8	42.9	80.5
				1.2	2.6	4.7	6.9	16.6	25.3	40.4	75.8
		140° 180° 220°	3	2.8	5.9	10.8	15.8	38.2	58.1	92.9	174.2
				2.6	5.4	10.0	14.5	35.2	53.6	85.7	160.8
				2.5	5.1	9.4	13.7	33.2	50.5	80.7	151.4
115° F (290.4)	0° F (33.5)	140° 180° 220°	0.75	1.7	3.5	6.3	9.3	22.4	34.1	54.6	102.4
				1.5	3.2	5.9	8.6	20.7	31.5	50.4	94.5
				1.4	3.0	5.5	8.1	19.5	29.7	47.5	89.0
		140° 180° 220°	3	3.3	6.9	12.7	18.5	44.8	68.2	109.1	204.5
				3.1	6.4	11.7	17.1	41.3	62.9	100.6	188.7
				2.9	6.0	11.0	16.1	38.9	59.2	94.8	177.7
115° F (290.4)	40° F (86.4)	140° 180° 220°	0.75	1.9	3.9	7.2	10.5	25.5	38.8	62.0	116.3
				1.7	3.6	6.6	9.7	23.5	35.8	57.3	107.4
				1.6	3.4	6.3	9.2	22.2	33.7	53.9	101.2
		140° 180° 220°	3	3.8	7.9	14.4	21.0	50.9	77.5	123.9	232.4
				3.5	7.3	13.3	19.4	47.0	71.5	114.4	214.4
				3.3	6.8	12.5	18.3	44.2	67.3	107.7	201.9



**CK4A Hot Gas Discharge Capacities (Kilowatts)**

**R404A**

Cond Temp (Sat Pres) bar	Evap Temp (Sat Pres) bar	Discharge Temp	Pres Drop bar	1/2" 13 mm	3/4" 20 mm	1" 25 mm	1-1/4" 32 mm	2" 50 mm	2-1/2" 65 mm	3" 75 mm	4" 100 mm	
25° C (11.2)	-40° C (0.3)	60°	0.05	4.9	10.2	18.7	27.3	66.1	100.5	160.9	301.6	
		80°		4.7	9.7	17.8	26.0	63.1	96.0	153.5	287.9	
		100°		4.5	9.3	17.1	25.0	60.6	92.2	147.5	276.5	
	25° C (11.2)	-20° C (2.0)	60°	0.21	10.0	20.8	38.1	55.7	134.9	205.3	328.5	615.9
			80°		9.5	19.9	36.4	53.2	128.7	195.9	313.4	587.7
			100°		9.1	19.1	34.9	51.1	123.6	188.1	300.9	564.3
25° C (11.2)		0° C (4.9)	60°	0.05	5.4	11.3	20.7	30.3	73.4	111.6	178.6	334.9
			80°		5.2	10.8	19.8	28.9	70.0	106.6	170.5	319.7
			100°		5.0	10.4	19.0	27.8	67.3	102.3	163.7	307.0
	25° C (11.2)	0° C (4.9)	60°	0.21	11.1	23.1	42.3	61.9	149.8	228.0	364.8	683.9
			80°		10.6	22.1	40.4	59.0	143.0	217.5	348.1	652.6
			100°		10.1	21.2	38.8	56.7	137.3	208.9	334.2	626.6
30° C (13.1)		-40° C (0.3)	60°	0.05	5.9	12.4	22.7	33.1	80.2	122.0	195.2	366.0
			80°		5.7	11.8	21.6	31.6	76.5	116.5	186.3	349.4
			100°		5.4	11.3	20.8	30.4	73.5	111.8	178.9	335.5
	30° C (13.1)	-20° C (2.0)	60°	0.21	12.1	25.3	46.3	67.6	163.7	249.1	398.6	747.4
			80°		11.5	24.1	44.2	64.5	156.2	237.7	380.4	713.2
			100°		11.1	23.2	42.4	62.0	150.0	228.3	365.2	684.8
30° C (13.1)		-40° C (0.3)	60°	0.05	4.9	10.3	18.8	27.5	66.6	101.4	162.2	304.2
			80°		4.7	9.8	17.9	26.2	63.4	96.4	154.3	289.3
			100°		4.5	9.4	17.2	25.1	60.7	92.4	147.8	277.1
	30° C (13.1)	-20° C (2.0)	60°	0.21	10.1	21.0	38.5	56.2	136.1	207.2	331.5	621.5
			80°		9.6	20.0	36.6	53.5	129.4	197.0	315.1	590.9
			100°		9.2	19.1	35.0	51.2	124.0	188.6	301.8	565.9
30° C (13.1)		0° C (4.9)	60°	0.05	5.5	11.5	21.1	30.8	74.5	113.4	181.5	340.2
			80°		5.2	10.9	20.0	29.3	70.9	107.9	172.6	323.6
			100°		5.0	10.5	19.2	28.0	67.9	103.3	165.3	310.0
	30° C (13.1)	0° C (4.9)	60°	0.21	11.3	23.5	43.0	62.9	152.3	231.7	370.8	695.2
			80°		10.7	22.3	40.9	59.8	144.8	220.3	352.5	660.9
			100°		10.2	21.4	39.2	57.3	138.7	211.0	337.6	633.0
35° C (15.1)		-40° C (0.3)	60°	0.05	6.1	12.6	23.1	33.8	81.9	124.6	199.4	373.9
			80°		5.8	12.0	22.0	32.2	77.9	118.5	189.6	355.5
			100°		5.5	11.5	21.1	30.8	74.6	113.5	181.7	340.6
	35° C (15.1)	-20° C (2.0)	60°	0.21	12.4	25.8	47.3	69.1	167.3	254.7	407.5	764.0
			80°		11.8	24.6	45.0	65.7	159.1	242.1	387.3	726.3
			100°		11.3	23.5	43.1	62.9	152.4	231.9	371.0	695.6
35° C (15.1)		-40° C (0.3)	60°	0.05	6.2	12.9	23.6	34.4	83.3	126.8	202.9	380.4
			80°		5.8	12.2	22.3	32.6	78.9	120.0	192.0	360.0
			100°		5.6	11.6	21.3	31.1	75.3	114.6	183.4	343.8
	35° C (15.1)	-20° C (2.0)	60°	0.21	12.6	26.3	48.2	70.4	170.5	259.4	415.0	778.2
			80°		11.9	24.9	45.6	66.6	161.2	245.4	392.6	736.1
			100°		11.4	23.8	43.5	63.6	153.9	234.3	374.8	702.8



**CK4A Hot Gas Discharge Capacities (Tons)**

**R507**

Cond Temp (Sat Pres) psig	Evap Temp (Sat Pres) psig	Discharge Temp	Pres Drop psi	1/2" 13 mm	3/4" 20 mm	1" 25 mm	1-1/4" 32 mm	2" 50 mm	2-1/2" 65 mm	3" 75 mm	4" 100 mm		
75° F (167)	-40° F (5.5)	140° 180° 220°	0.75	1.4	3.0	5.5	8.0	19.4	29.6	47.3	88.8		
				1.4	2.9	5.2	7.6	18.5	28.1	45.0	84.4		
				1.3	2.7	5.0	7.3	17.7	27.0	43.1	80.9		
		75° F (167)	0° F (35.2)	140° 180° 220°	3	2.9	6.0	11.0	16.0	38.8	59.0	94.4	176.9
						2.7	5.7	10.4	15.2	36.8	56.1	89.7	168.2
						2.6	5.4	10.0	14.6	35.3	53.7	86.0	161.2
75° F (167)	40° F (87.8)			140° 180° 220°	0.75	1.6	3.3	6.1	8.9	21.6	32.9	52.7	98.8
						1.5	3.2	5.8	8.5	20.6	31.3	50.1	93.9
						1.5	3.0	5.6	8.1	19.7	30.0	48.0	90.0
		75° F (167)	40° F (87.8)	140° 180° 220°	3	3.2	6.7	12.2	17.8	43.1	65.6	105.0	196.9
						3.0	6.3	11.6	16.9	41.0	62.4	99.8	187.2
						2.9	6.1	11.1	16.2	39.3	59.8	95.6	179.3
95° F (226)	-40° F (5.5)			140° 180° 220°	0.75	1.8	3.7	6.7	9.8	23.7	36.1	57.7	108.2
						1.7	3.5	6.4	9.3	22.5	34.3	54.9	102.9
						1.6	3.3	6.1	8.9	21.6	32.9	52.6	98.6
		95° F (226)	0° F (35.2)	140° 180° 220°	3	3.5	7.3	13.4	19.5	47.2	71.9	115.0	215.7
						3.3	6.9	12.7	18.6	44.9	68.3	109.4	205.0
						3.2	6.6	12.2	17.8	43.0	65.5	104.8	196.4
95° F (226)	40° F (87.8)			140° 180° 220°	0.75	1.5	3.1	5.7	8.3	20.1	30.6	48.9	91.7
						1.4	2.9	5.3	7.8	18.9	28.8	46.1	86.4
						1.3	2.8	5.1	7.4	18.0	27.4	43.9	82.3
		95° F (226)	40° F (87.8)	140° 180° 220°	3	3.0	6.2	11.3	16.6	40.1	61.0	97.6	183.0
						2.8	5.8	10.7	15.6	37.7	57.4	91.9	172.3
						2.7	5.5	10.2	14.9	36.0	54.7	87.5	164.1
115° F (301)	-40° F (5.5)			140° 180° 220°	0.75	1.7	3.5	6.4	9.4	22.7	34.6	55.3	103.7
						1.6	3.3	6.0	8.8	21.4	32.5	52.1	97.6
						1.5	3.1	5.8	8.4	20.4	31.0	49.6	93.0
		115° F (301)	0° F (35.2)	140° 180° 220°	3	3.3	7.0	12.8	18.7	45.3	68.9	110.3	206.8
						3.2	6.6	12.1	17.6	42.7	64.9	103.9	194.7
						3.0	6.3	11.5	16.8	40.6	61.8	98.9	185.5
115° F (301)	40° F (89.8)			140° 180° 220°	0.75	1.9	3.9	7.1	10.4	25.2	38.3	61.3	114.9
						1.8	3.7	6.7	9.8	23.7	36.1	57.7	108.2
						1.7	3.5	6.4	9.3	22.6	34.4	55.0	103.1
		115° F (301)	40° F (89.8)	140° 180° 220°	3	3.7	7.8	14.2	20.7	50.2	76.4	122.3	229.2
						3.5	7.3	13.4	19.5	47.3	72.0	115.1	215.9
						3.3	7.0	12.7	18.6	45.0	68.5	109.7	205.6
115° F (301)	-40° F (5.5)			140° 180° 220°	0.75	1.5	3.1	5.7	8.3	20.2	30.7	49.1	92.1
						1.4	2.9	5.3	7.7	18.7	28.4	45.5	85.3
						1.3	2.7	5.0	7.3	17.6	26.8	42.9	80.5
		115° F (301)	0° F (35.2)	140° 180° 220°	3	3.0	6.2	11.4	16.7	40.3	61.4	98.2	184.1
						2.8	5.8	10.5	15.4	37.3	56.8	90.9	170.3
						2.6	5.4	10.0	14.5	35.2	53.6	85.7	160.7
115° F (301)	40° F (89.8)			140° 180° 220°	0.75	1.7	3.6	6.6	9.6	23.3	35.5	56.8	106.5
						1.6	3.3	6.1	8.9	21.6	32.9	52.6	98.6
						1.5	3.1	5.8	8.4	20.4	31.0	49.6	93.1
		115° F (301)	40° F (89.8)	140° 180° 220°	3	3.4	7.2	13.2	19.3	46.6	71.0	113.5	212.9
						3.2	6.7	12.2	17.8	43.1	65.6	105.0	196.9
						3.0	6.3	11.5	16.8	40.7	61.9	99.1	185.8
115° F (301)	40° F (89.8)			140° 180° 220°	0.75	1.9	4.1	7.4	10.9	26.3	40.0	64.0	120.1
						1.8	3.8	6.9	10.1	24.3	37.0	59.3	111.1
						1.7	3.5	6.5	9.5	23.0	35.0	55.9	104.9
		115° F (301)	40° F (89.8)	140° 180° 220°	3	3.9	8.1	14.9	21.7	52.6	80.0	128.0	240.0
						3.6	7.5	13.7	20.1	48.6	74.0	118.4	222.0
						3.4	7.1	13.0	19.0	45.9	69.8	111.7	209.4



**CK4A Hot Gas Discharge Capacities (Kilowatts)**

**R507**

Cond Temp (Sat Pres) bar	Evap Temp (Sat Pres) bar	Discharge Temp	Pres Drop bar	1/2" 13 mm	3/4" 20 mm	1" 25 mm	1-1/4" 32 mm	2" 50 mm	2-1/2" 65 mm	3" 75 mm	4" 100 mm	
25° C (11.6)	-40° C (0.4)	60°	0.05	4.9	10.3	18.9	27.6	66.8	101.7	162.8	305.2	
		80°		4.7	9.9	18.0	26.4	63.8	97.1	155.4	291.4	
		100°		4.5	9.5	17.3	25.3	61.3	93.3	149.4	280.0	
	25° C (11.6)	-20° C (2.1)	60°	0.21	10.1	21.1	38.6	56.4	136.5	207.8	332.4	623.3
			80°		9.6	20.1	36.8	53.8	130.3	198.3	317.3	595.0
			100°		9.3	19.3	35.4	51.7	125.2	190.6	304.9	571.7
25° C (11.6)		0° C (5.2)	60°	0.05	5.5	11.4	20.8	30.5	73.8	112.3	179.6	336.8
			80°		5.2	10.9	19.9	29.1	70.4	107.2	171.5	321.6
			100°		5.0	10.4	19.1	28.0	67.7	103.0	164.8	309.1
	25° C (11.6)	0° C (5.2)	60°	0.21	11.1	23.3	42.6	62.2	150.7	229.3	366.9	687.9
			80°		10.6	22.2	40.6	59.4	143.8	218.9	350.2	656.6
			100°		10.2	21.3	39.1	57.1	138.2	210.3	336.5	631.0
30° C (13.5)		-40° C (0.4)	60°	0.05	5.0	10.5	19.2	28.1	67.9	103.3	165.4	310.0
			80°		4.8	10.0	18.3	26.7	64.6	98.3	157.3	295.0
			100°		4.6	9.6	17.5	25.6	62.0	94.3	150.8	282.8
	30° C (13.5)	-20° C (2.1)	60°	0.21	10.3	21.4	39.2	57.3	138.8	211.2	337.9	633.6
			80°		9.8	20.4	37.3	54.5	132.0	200.9	321.4	602.6
			100°		9.4	19.5	35.8	52.3	126.5	192.6	308.1	577.7
30° C (13.5)		0° C (5.2)	60°	0.05	5.6	11.6	21.3	31.1	75.4	114.8	183.6	344.3
			80°		5.3	11.1	20.3	29.6	71.7	109.2	174.7	327.5
			100°		5.1	10.6	19.4	28.4	68.8	104.7	167.5	314.0
	30° C (13.5)	0° C (5.2)	60°	0.21	11.4	23.8	43.6	63.7	154.1	234.5	375.2	703.6
			80°		10.8	22.6	41.4	60.5	146.6	223.1	356.9	669.2
			100°		10.4	21.7	39.7	58.0	140.5	213.8	342.1	641.5
35° C (15.6)		-40° C (0.4)	60°	0.05	6.1	12.7	23.3	34.1	82.5	125.6	201.0	376.8
			80°		5.8	12.1	22.2	32.4	78.5	119.5	191.2	358.5
			100°		5.6	11.6	21.3	31.1	75.3	114.6	183.3	343.7
	35° C (15.6)	-20° C (2.1)	60°	0.21	12.5	26.0	47.7	69.7	168.7	256.7	410.7	770.0
			80°		11.9	24.8	45.3	66.3	160.4	244.1	390.6	732.4
			100°		11.4	23.7	43.5	63.5	153.8	234.0	374.5	702.1
35° C (15.6)		0° C (5.2)	60°	0.05	5.1	10.6	19.4	28.4	68.7	104.5	167.2	313.4
			80°		4.8	10.0	18.4	26.9	65.0	98.9	158.3	296.8
			100°		4.6	9.6	17.6	25.7	62.2	94.6	151.4	283.8
	35° C (15.6)	-20° C (2.1)	60°	0.21	10.4	21.7	39.7	58.0	140.3	213.6	341.7	640.7
			80°		9.8	20.5	37.6	54.9	132.9	202.2	323.5	606.6
			100°		9.4	19.6	35.9	52.5	127.0	193.3	309.3	579.9
35° C (15.6)		0° C (5.2)	60°	0.05	5.7	11.9	21.7	31.7	76.8	116.8	186.9	350.5
			80°		5.4	11.2	20.5	30.0	72.7	110.6	177.0	331.9
			100°		5.1	10.7	19.6	28.7	69.5	105.8	169.3	317.4
	35° C (15.6)	-20° C (2.1)	60°	0.21	11.6	24.2	44.4	64.8	156.9	238.8	382.1	716.5
			80°		11.0	22.9	42.0	61.4	148.6	226.1	361.8	678.3
			100°		10.5	21.9	40.1	58.7	142.0	216.1	345.8	648.4
35° C (15.6)		0° C (5.2)	60°	0.05	6.2	13.0	23.9	34.9	84.5	128.6	205.7	385.7
			80°		5.9	12.4	22.6	33.1	80.0	121.8	194.8	365.3
			100°		5.7	11.8	21.6	31.6	76.5	116.4	186.3	349.3
	35° C (15.6)	-20° C (2.1)	60°	0.21	12.8	26.7	48.8	71.3	172.7	262.8	420.5	788.5
			80°		12.1	25.2	46.2	67.5	163.5	248.8	398.2	746.5
			100°		11.6	24.1	44.2	64.6	156.3	237.9	380.6	713.6



**A9, A8\_0 Condenser Bypass Capacities (Tons)**

**R22**

Cond Temp (Sat pres) psig	Ev. Temp (Sat Pres) psig	Discharge Temp	Pres Drop psi	A9	A9	A9	A9	A8AOE	A8AOE	A8AOE	A81OE	A81OE	A82OE	A82OE	
				3/8" 9 mm	5/8" 15 mm	7/8" 22 mm	1-1/8" 28 mm	3/8" 9 mm	5/8" 15 mm	7/8" 22 mm	1-1/8" 28 mm	1-3/8" 35 mm	1-5/8" 42 mm	2-1/8" 54 mm	
75° F (132)	-40° F (5.5)	140°	10	3.5	9.9	28.1	39.8	14.4	36.9	52.4	66.9	117.8	176.0	308.9	
				180°	3.6	10.1	28.7	40.6	14.8	38.0	54.0	68.9	121.4	181.4	318.4
				220°	3.7	10.3	29.3	41.5	15.1	38.9	55.2	70.4	124.1	185.5	325.5
		140°	15	4.3	12.3	35.0	49.9	17.9	46.2	65.8	84.1	147.6	221.1	387.3	
				180°	4.4	12.5	35.7	50.9	18.4	47.6	67.8	86.7	152.2	227.9	399.2
				220°	4.5	12.8	36.5	52.0	18.8	48.7	69.3	88.7	155.6	233.0	408.1
75° F (132)	0° F (35.2)	140°	10	3.7	10.5	29.8	42.2	15.3	39.2	55.6	70.9	124.9	186.8	327.7	
				180°	3.8	10.7	30.4	43.1	15.7	40.4	57.3	73.1	128.7	192.5	337.8
				220°	3.9	10.9	31.1	44.0	16.1	41.3	58.5	74.7	131.6	196.8	345.3
		140°	15	4.6	13.0	37.1	53.0	18.9	49.0	69.8	89.2	156.5	234.4	410.6	
				180°	4.7	13.3	37.8	54.0	19.5	50.5	71.9	91.9	161.3	241.6	423.2
				220°	4.8	13.6	38.7	55.2	20.0	51.6	73.5	94.0	164.9	247.0	432.6
75° F (132)	40° F (87.8)	140°	10	3.9	11.0	31.4	44.4	16.0	41.1	58.4	74.5	131.3	196.3	344.4	
				180°	4.0	11.2	32.0	45.3	16.5	42.4	60.2	76.8	135.3	202.3	355.0
				220°	4.1	11.5	32.7	46.2	16.9	43.4	61.5	78.5	138.3	206.8	362.9
		140°	15	4.8	13.7	39.0	55.6	19.9	51.4	73.3	93.7	164.4	246.3	431.3	
				180°	4.9	13.9	39.8	56.7	20.5	53.0	75.6	96.6	169.5	253.8	444.6
				220°	5.0	14.2	40.6	58.0	21.0	54.2	77.2	98.7	173.3	259.5	454.5
95° F (182)	-40° F (5.5)	140°	10	2.9	8.1	23.0	32.4	11.7	30.0	42.5	54.3	95.8	143.0	251.2	
				180°	2.9	8.2	23.4	32.9	12.1	30.9	43.7	55.8	98.5	147.1	258.3
				220°	3.0	8.4	23.9	33.6	12.3	31.5	44.7	57.0	100.6	150.2	263.8
		140°	15	3.5	9.9	28.4	40.2	14.5	37.3	53.0	67.6	119.0	178.0	312.1	
				180°	3.6	10.1	28.9	41.0	14.9	38.3	54.4	69.5	122.4	183.0	321.0
				220°	3.7	10.3	29.5	41.8	15.2	39.2	55.6	71.0	125.0	186.9	327.9
95° F (182)	0° F (35.2)	140°	10	3.1	8.6	24.5	34.5	12.5	32.0	45.4	57.9	102.2	152.6	268.0	
				180°	3.1	8.8	24.9	35.1	12.9	32.9	46.7	59.5	105.0	156.9	275.5
				220°	3.2	8.9	25.5	35.9	13.2	33.7	47.7	60.8	107.3	160.2	281.5
		140°	15	3.8	10.6	30.2	42.9	15.4	39.7	56.5	72.1	126.9	189.7	332.8	
				180°	3.8	10.8	30.8	43.7	15.9	40.9	58.1	74.1	130.4	195.1	342.2
				220°	3.9	11.0	31.4	44.6	16.2	41.7	59.3	75.7	133.3	199.3	349.6
95° F (182)	40° F (87.8)	140°	10	3.2	9.1	25.9	36.4	13.2	33.8	47.9	61.1	107.8	161.1	282.9	
				180°	3.3	9.2	26.3	37.1	13.6	34.8	49.3	62.8	110.9	165.6	290.9
				220°	3.4	9.4	26.9	37.9	13.9	35.5	50.3	64.2	113.2	169.1	297.1
		140°	15	4.0	11.2	31.9	45.3	16.3	41.9	59.6	76.1	133.8	200.2	351.1	
				180°	4.1	11.4	32.5	46.1	16.8	43.1	61.3	78.2	137.6	205.9	361.1
				220°	4.1	11.6	33.2	47.0	17.1	44.0	62.6	79.9	140.6	210.3	368.8
115° F (243)	-40° F (5.5)	140°	10	2.4	6.8	19.3	27.1	9.9	25.2	35.7	45.5	80.3	119.9	210.7	
				180°	2.5	6.9	19.6	27.5	10.1	25.8	36.5	46.5	82.2	122.7	215.7
				220°	2.5	7.0	20.0	28.1	10.3	26.3	37.2	47.5	83.9	125.2	220.0
		140°	15	3.0	8.4	23.8	33.6	12.2	31.2	44.2	56.4	99.4	148.5	260.8	
				180°	3.0	8.5	24.1	34.1	12.5	31.9	45.2	57.7	101.8	152.1	267.0
				220°	3.1	8.6	24.6	34.7	12.7	32.6	46.2	58.9	103.8	155.1	272.4
115° F (243)	0° F (35.2)	140°	10	2.6	7.3	20.7	29.2	10.6	27.1	38.3	48.8	86.3	128.8	226.3	
				180°	2.6	7.4	21.0	29.6	10.9	27.7	39.2	50.0	88.3	131.8	231.7
				220°	2.7	7.5	21.4	30.1	11.1	28.3	40.0	51.0	90.1	134.5	236.3
		140°	15	3.2	9.0	25.5	36.1	13.1	33.5	47.4	60.5	106.7	159.5	279.9	
				180°	3.2	9.1	25.9	36.6	13.4	34.3	48.6	62.0	109.3	163.3	286.6
				220°	3.3	9.3	26.4	37.3	13.6	35.0	49.5	63.2	111.5	166.6	292.4
115° F (243)	40° F (87.8)	140°	10	2.8	7.7	22.0	30.9	11.3	28.7	40.6	51.8	91.6	136.7	240.2	
				180°	2.8	7.8	22.3	31.4	11.5	29.4	41.6	53.0	93.7	139.9	245.9
				220°	2.9	8.0	22.8	32.0	11.8	30.0	42.4	54.1	95.6	142.7	250.8
		140°	15	3.4	9.5	27.1	38.3	13.8	35.5	50.3	64.2	113.2	169.2	297.0	
				180°	3.4	9.7	27.5	38.8	14.2	36.3	51.5	65.7	115.9	173.2	304.1
				220°	3.5	9.8	28.0	39.6	14.5	37.1	52.6	67.1	118.2	176.7	310.2





**A9, A8\_0 Condenser Bypass Capacities (Kilowatts)**

**R22**

Cond Temp (Sat Pres) bar	Ev. Temp (Sat Pres) bar	Discharge Temp	Pres Drop bar	A9 3/8" 9 mm	A9 5/8" 15 mm	A9 7/8" 22 mm	A9 1-1/8" 28 mm	A8AOE 3/8" 9 mm	A8AOE 5/8" 15 mm	A8AOE 7/8" 22 mm	A81OE 1-1/8" 28 mm	A81OE 1-3/8" 35 mm	A82OE 1-5/8" 42 mm	A82OE 2-1/8" 54 mm		
25° C (9.2)	-40° C (0.4)	60°	0.7	12.9	36.1	103.0	145.7	52.6	135.1	191.7	244.7	431.1	644.4	1130.8		
				80°	13.1	36.8	104.9	148.4	53.6	137.6	195.2	249.2	438.9	656.2	1151.5	
				100°	13.4	37.5	107.0	151.3	54.7	140.3	199.1	254.1	447.6	669.1	1174.3	
		60°	1	15.5	43.8	124.9	178.0	63.8	164.7	234.5	299.8	526.4	788.0	1380.7		
				80°	15.8	44.6	127.2	181.3	65.0	167.7	238.9	305.3	536.0	802.5	1406.1	
				100°	16.1	45.5	129.8	184.9	66.2	171.1	243.6	311.3	546.7	818.4	1434.0	
	25° C (9.2)	-20° C (2.1)	60°	0.7	13.6	38.1	108.7	153.8	55.6	142.6	202.3	258.3	455.0	680.1	1193.5	
					80°	13.8	38.8	110.7	156.6	56.6	145.2	206.0	263.0	463.3	692.5	1215.4
					100°	14.1	39.6	112.9	159.7	57.7	148.1	210.1	268.2	472.4	706.2	1239.4
			60°	1	16.4	46.2	131.8	187.8	67.3	173.8	247.4	316.2	555.3	831.3	1456.6	
					80°	16.7	47.1	134.2	191.3	68.5	177.0	252.0	322.0	565.5	846.6	1483.4
					100°	17.0	48.0	136.9	195.1	69.9	180.5	257.0	328.4	576.7	863.4	1512.8
25° C (9.2)	0° C (5.2)	60°	0.7	14.2	40.0	113.9	161.1	58.2	149.4	211.9	270.5	476.5	712.3	1250.1		
				80°	14.5	40.7	116.0	164.0	59.3	152.1	215.8	275.5	485.2	725.4	1273.0	
				100°	14.8	41.5	118.3	167.3	60.4	155.1	220.1	280.9	494.8	739.7	1298.2	
		60°	1	17.2	48.4	138.0	196.7	70.4	181.9	259.1	331.1	581.4	870.4	1525.1		
				80°	17.5	49.3	140.6	200.3	71.7	185.3	263.8	337.2	592.1	886.4	1553.1	
				100°	17.8	50.2	143.3	204.2	73.2	189.0	269.1	343.9	603.8	904.0	1583.9	
30° C (10.9)	-40° C (0.4)	60°	0.7	11.6	32.6	92.9	131.1	47.5	121.6	172.4	220.0	387.9	579.7	1017.7		
				80°	11.8	33.2	94.5	133.4	48.3	123.8	175.5	223.9	394.8	589.9	1035.7	
				100°	12.1	33.8	96.4	136.0	49.2	126.2	178.9	228.2	402.4	601.3	1055.8	
		60°	1	14.0	39.4	112.2	159.4	57.3	147.6	209.9	268.2	471.5	705.4	1236.8		
				80°	14.2	40.1	114.2	162.3	58.3	150.3	213.6	272.9	479.9	717.9	1258.8	
				100°	14.5	40.8	116.5	165.4	59.5	153.2	217.8	278.2	489.2	731.9	1283.2	
	30° C (10.9)	-20° C (2.1)	60°	0.7	12.3	34.5	98.2	138.7	50.2	128.7	182.4	232.7	410.3	613.1	1076.5	
					80°	12.5	35.1	100.0	141.2	51.1	130.9	185.6	236.8	417.6	623.9	1095.5
					100°	12.8	35.8	101.9	143.9	52.1	133.5	189.2	241.4	425.7	636.1	1116.7
			60°	1	14.8	41.6	118.7	168.6	60.6	156.1	222.0	283.5	498.5	745.9	1307.7	
					80°	15.1	42.3	120.8	171.6	61.7	158.9	225.9	288.5	507.3	759.1	1330.9
					100°	15.3	43.2	123.1	174.9	62.9	162.0	230.3	294.1	517.2	773.8	1356.8
30° C (10.9)	0° C (5.2)	60°	0.7	12.9	36.2	103.1	145.5	52.7	135.0	191.4	244.2	430.5	643.3	1129.5		
				80°	13.1	36.8	104.9	148.1	53.6	137.4	194.8	248.5	438.1	654.7	1149.5	
				100°	13.4	37.5	107.0	151.0	54.7	140.1	198.5	253.3	446.6	667.4	1171.8	
		60°	1	15.5	43.6	124.5	176.8	63.6	163.7	232.8	297.4	522.9	782.3	1371.6		
				80°	15.8	44.4	126.7	180.0	64.7	166.6	236.9	302.6	532.2	796.2	1395.9	
				100°	16.1	45.3	129.1	183.5	66.0	169.9	241.5	308.5	542.5	811.7	1423.1	
35° C (12.6)	-40° C (0.4)	60°	0.7	10.6	29.7	84.6	119.3	43.3	110.7	156.8	200.0	352.9	527.2	925.9		
				80°	10.8	30.2	86.1	121.3	44.0	112.6	159.4	203.4	358.9	536.0	941.5	
				100°	11.0	30.8	87.7	123.6	44.8	114.7	162.5	207.2	365.6	546.2	959.3	
		60°	1	12.7	35.8	102.0	144.6	52.1	134.0	190.3	243.0	427.6	639.5	1121.8		
				80°	13.0	36.4	103.8	147.0	53.0	136.2	193.5	247.1	434.9	650.3	1140.8	
				100°	13.2	37.1	105.7	149.8	54.0	138.8	197.2	251.7	443.1	662.6	1162.4	
	35° C (12.6)	-20° C (2.1)	60°	0.7	11.2	31.5	89.7	126.5	45.9	117.4	166.3	212.1	374.2	559.0	981.8	
					80°	11.4	32.0	91.3	128.6	46.6	119.4	169.1	215.7	380.5	568.4	998.3
					100°	11.7	32.6	93.0	131.0	47.5	121.6	172.3	219.7	387.7	579.1	1017.1
			60°	1	13.5	37.9	108.1	153.2	55.2	142.0	201.7	257.5	453.2	677.8	1188.9	
					80°	13.7	38.6	110.0	155.8	56.2	144.4	205.1	261.8	460.9	689.2	1209.0
					100°	14.0	39.3	112.1	158.8	57.2	147.1	209.0	266.8	469.6	702.3	1232.0
35° C (12.6)	0° C (5.2)	60°	0.7	11.8	33.1	94.3	133.0	48.2	123.4	174.8	223.0	393.4	587.7	1032.2		
				80°	12.0	33.7	95.9	135.2	49.0	125.5	177.7	226.7	400.0	597.5	1049.5	
				100°	12.2	34.3	97.8	137.8	50.0	127.9	181.1	231.0	407.6	608.8	1069.3	
		60°	1	14.2	39.9	113.6	161.1	58.0	149.2	211.9	270.6	476.3	712.3	1249.5		
				80°	14.4	40.5	115.6	163.8	59.0	151.8	215.5	275.2	484.4	724.3	1270.6	
				100°	14.7	41.3	117.8	166.9	60.2	154.6	219.6	280.4	493.5	738.0	1294.7	



**A9, A8\_0 Condenser Bypass Capacities - Tons R134a Refrigeration & Air Conditioning Control Valves**

**A9, A8\_0 Condenser Bypass Capacities (Tons) R134a**

Cond Temp (Sat pres) psig	Ev. Temp (Sat Pres) psig	Discharge Temp	Pres Drop psi	A9	A9	A9	A9	A8AOE	A8AOE	A8AOE	A81OE	A81OE	A82OE	A82OE	
				3/8" 9 mm	5/8" 15 mm	7/8" 22 mm	1-1/8" 28 mm	3/8" 9 mm	5/8" 15 mm	7/8" 22 mm	1-1/8" 28 mm	1-3/8" 35 mm	1-5/8" 42 mm	2-1/8" 54 mm	
75° F (78.6)	-40° F (5.5)	140°	10	2.4	6.9	19.6	28.0	10.0	25.9	36.9	47.2	82.8	124.0	217.1	
				180°	2.5	7.1	20.3	29.1	10.6	27.4	39.0	49.9	87.5	131.1	229.5
				220°	2.6	7.4	21.1	30.2	11.0	28.4	40.5	51.8	90.8	136.1	238.3
		140°	15	3.0	8.6	24.5	35.6	12.5	32.7	47.0	60.3	105.1	157.9	275.5	
				180°	3.1	8.9	25.4	36.9	13.2	34.6	49.7	63.8	111.1	166.9	291.2
				220°	3.2	9.2	26.4	38.3	13.7	35.9	51.6	66.2	115.3	173.2	302.3
75° F (78.6)	0° F (35.2)	140°	10	2.7	7.5	21.4	30.7	10.9	28.3	40.4	51.7	90.7	135.8	237.8	
				180°	2.8	7.8	22.2	31.8	11.6	30.0	42.7	54.7	95.8	143.6	251.4
				220°	2.9	8.1	23.1	33.0	12.0	31.1	44.4	56.8	99.5	149.1	260.9
		140°	15	3.3	9.4	26.8	38.9	13.6	35.8	51.4	66.0	114.9	172.6	301.2	
				180°	3.4	9.7	27.8	40.4	14.4	37.8	54.4	69.7	121.4	182.5	318.4
				220°	3.5	10.1	28.8	41.9	15.0	39.3	56.4	72.4	126.0	189.4	330.5
75° F (78.6)	40° F (87.8)	140°	10	2.9	8.1	23.2	33.2	11.9	30.7	43.8	56.0	98.2	147.2	257.7	
				180°	3.0	8.4	24.1	34.5	12.5	32.5	46.3	59.2	103.8	155.6	272.4
				220°	3.1	8.8	25.0	35.8	13.0	33.7	48.1	61.5	107.8	161.5	282.7
		140°	15	3.6	10.1	29.0	42.1	14.7	38.7	55.7	71.4	124.3	186.8	325.9	
				180°	3.7	10.5	30.1	43.7	15.6	40.9	58.8	75.5	131.4	197.5	344.5
				220°	3.8	10.9	31.2	45.3	16.2	42.5	61.1	78.3	136.4	205.0	357.6
95° F (113.8)	-40° F (5.5)	140°	10	2.0	5.5	15.8	22.4	8.0	20.7	29.5	37.6	66.2	99.0	173.6	
				180°	2.0	5.7	16.3	23.2	8.5	21.9	31.1	39.7	69.8	104.4	183.1
				220°	2.1	5.9	16.9	24.0	8.8	22.7	32.2	41.2	72.4	108.3	189.9
		140°	15	2.4	6.8	19.5	28.0	10.0	25.9	36.9	47.3	82.8	124.1	217.1	
				180°	2.5	7.1	20.2	29.0	10.5	27.3	39.0	49.9	87.3	130.9	229.0
				220°	2.6	7.3	21.0	30.1	10.9	28.3	40.4	51.7	90.6	135.8	237.5
95° F (113.8)	0° F (35.2)	140°	10	2.2	6.1	17.5	24.8	8.9	22.9	32.6	41.7	73.3	109.6	192.2	
				180°	2.3	6.3	18.1	25.7	9.4	24.2	34.4	43.9	77.3	115.6	202.7
				220°	2.3	6.6	18.7	26.6	9.8	25.1	35.7	45.6	80.2	119.9	210.3
		140°	15	2.7	7.6	21.6	31.0	11.0	28.6	40.8	52.3	91.5	137.2	240.0	
				180°	2.8	7.8	22.4	32.1	11.6	30.2	43.1	55.1	96.5	144.7	253.2
				220°	2.9	8.1	23.2	33.3	12.0	31.3	44.7	57.2	100.1	150.1	262.6
95° F (113.8)	40° F (87.8)	140°	10	2.4	6.7	19.1	27.1	9.7	25.1	35.7	45.5	80.1	119.8	210.1	
				180°	2.5	6.9	19.8	28.1	10.3	26.5	37.6	48.0	84.5	126.4	221.6
				220°	2.6	7.2	20.5	29.1	10.7	27.4	39.0	49.8	87.6	131.1	229.9
		140°	15	2.9	8.3	23.6	33.8	12.0	31.2	44.6	57.1	99.9	149.8	262.0	
				180°	3.0	8.5	24.4	35.0	12.7	32.9	47.1	60.2	105.4	158.0	276.4
				220°	3.1	8.9	25.3	36.3	13.2	34.2	48.8	62.4	109.3	163.9	286.7
115° F (158.4)	-40° F (5.5)	140°	10	1.6	4.6	13.0	18.4	6.6	17.0	24.2	30.8	54.3	81.2	142.6	
				180°	1.7	4.7	13.4	19.0	7.0	17.9	25.4	32.4	57.1	85.3	149.8
				220°	1.7	4.9	13.9	19.6	7.2	18.5	26.3	33.5	59.1	88.4	155.1
		140°	15	2.0	5.6	16.1	22.9	8.2	21.2	30.1	38.5	67.6	101.2	177.4	
				180°	2.1	5.8	16.6	23.6	8.6	22.2	31.7	40.4	71.1	106.4	186.4
				220°	2.1	6.0	17.2	24.5	8.9	23.0	32.8	41.9	73.6	110.2	193.1
115° F (158.4)	0° F (35.2)	140°	10	1.8	5.1	14.6	20.6	7.5	19.1	27.1	34.6	61.1	91.2	160.2	
				180°	1.9	5.3	15.1	21.3	7.8	20.1	28.5	36.4	64.1	95.8	168.3
				220°	2.0	5.5	15.6	22.1	8.1	20.8	29.5	37.7	66.4	99.3	174.3
		140°	15	2.2	6.3	18.0	25.7	9.2	23.7	33.8	43.2	75.9	113.5	199.0	
				180°	2.3	6.5	18.6	26.5	9.7	24.9	35.5	45.4	79.7	119.3	209.1
				220°	2.4	6.8	19.3	27.4	10.0	25.8	36.8	47.0	82.6	123.6	216.6
115° F (158.4)	40° F (87.8)	140°	10	2.0	5.7	16.2	22.8	8.3	21.2	30.0	38.3	67.5	100.9	177.1	
				180°	2.1	5.9	16.7	23.6	8.7	22.2	31.5	40.2	70.9	106.0	186.1
				220°	2.2	6.1	17.3	24.4	9.0	23.0	32.7	41.7	73.5	109.8	192.7
		140°	15	2.5	7.0	19.9	28.3	10.2	26.2	37.3	47.7	83.8	125.4	219.7	
				180°	2.6	7.2	20.6	29.3	10.7	27.6	39.2	50.1	88.0	131.7	230.9
				220°	2.7	7.5	21.3	30.3	11.1	28.5	40.6	51.9	91.2	136.5	239.2



**A9, A8 0 Condenser Bypass Capacities (Kilowatts) R134a**

Cond Temp (Sat Pres) bar	Ev. Temp (Sat Pres) bar	Discharge Temp	Pres Drop bar	A9	A9	A9	A9	A8AOE	A8AOE	A8AOE	A81OE	A81OE	A82OE	A82OE	
				3/8" 9 mm	5/8" 15 mm	7/8" 22 mm	1-1/8" 28 mm	3/8" 9 mm	5/8" 15 mm	7/8" 22 mm	1-1/8" 28 mm	1-3/8" 35 mm	1-5/8" 42 mm	2-1/8" 54 mm	
25° C (5.5)	-40° C (0.4)	60°	0.7	8.9	25.1	71.6	102.3	36.5	94.6	134.9	172.5	302.5	453.1	793.3	
		80°		9.2	25.9	74.0	105.9	37.8	97.8	139.6	178.5	312.9	468.8	820.7	
		100°		9.5	26.8	76.6	109.6	39.1	101.3	144.4	184.7	323.8	485.1	849.4	
	25° C (5.5)	-20° C (2.1)	60°	1	10.7	30.5	87.3	126.4	44.5	116.4	167.1	214.1	373.4	560.8	979.1
			80°		11.1	31.6	90.3	130.8	46.0	120.4	172.9	221.6	386.3	580.2	1013.0
			100°		11.5	32.7	93.4	135.4	47.6	124.6	178.9	229.3	399.8	600.5	1048.4
25° C (5.5)	0° C (5.2)	60°	0.7	10.4	29.3	83.7	119.8	42.7	110.7	157.9	201.9	354.0	530.3	928.5	
		80°		10.8	30.4	86.6	123.9	44.2	114.5	163.3	208.9	366.2	548.7	960.6	
		100°		11.1	31.4	89.7	128.2	45.8	118.5	169.0	216.2	379.0	567.8	994.1	
	30° C (6.7)	-40° C (0.4)	60°	1	12.5	35.6	101.9	147.6	51.9	135.9	195.1	250.1	436.0	654.9	1143.3
			80°		13.0	36.9	105.4	152.7	53.7	140.6	201.9	258.7	451.1	677.5	1182.9
			100°		13.4	38.2	109.1	158.1	55.6	145.6	208.9	267.7	466.9	701.2	1224.2
30° C (6.7)	-40° C (0.4)	60°	0.7	8.0	22.5	64.1	91.3	32.7	84.4	120.2	153.7	269.8	404.0	707.8	
		80°		8.2	23.2	66.2	94.4	33.8	87.3	124.3	158.9	279.0	417.7	731.9	
		100°		8.5	24.0	68.5	97.6	35.0	90.3	128.6	164.4	288.7	432.1	757.2	
	30° C (6.7)	-20° C (2.1)	60°	1	9.6	27.2	77.7	111.9	39.6	103.2	147.7	189.2	330.6	496.0	867.1
			80°		9.9	28.1	80.4	115.7	41.0	106.7	152.8	195.6	341.9	512.9	896.7
			100°		10.3	29.1	83.1	119.7	42.4	110.4	158.1	202.4	353.7	530.7	927.7
30° C (6.7)	0° C (5.2)	60°	0.7	8.7	24.5	69.9	99.6	35.7	92.2	131.2	167.7	294.5	440.9	772.5	
		80°		9.0	25.3	72.3	103.0	36.9	95.3	135.7	173.4	304.5	455.9	798.8	
		100°		9.3	26.2	74.8	106.6	38.2	98.6	140.4	179.4	315.0	471.6	826.4	
	30° C (6.7)	0° C (5.2)	60°	1	10.5	29.6	84.7	122.0	43.2	112.5	161.0	206.2	360.4	540.7	945.2
			80°		10.8	30.7	87.6	126.1	44.7	116.3	166.5	213.2	372.7	559.1	977.4
			100°		11.2	31.7	90.6	130.5	46.2	120.4	172.3	220.6	385.6	578.4	1011.2
35° C (7.8)	-40° C (0.4)	60°	0.7	9.4	26.5	75.6	107.7	38.6	99.6	141.8	181.3	318.3	476.6	835.0	
		80°		9.7	27.4	78.2	111.3	39.9	103.0	146.7	187.4	329.2	492.8	863.4	
		100°		10.1	28.3	80.9	115.2	41.3	106.6	151.7	193.9	340.5	509.8	893.3	
	35° C (7.8)	-20° C (2.1)	60°	1	11.3	32.0	91.5	131.7	46.6	121.5	173.9	222.6	389.2	583.9	1020.7
			80°		11.7	33.1	94.6	136.2	48.2	125.6	179.8	230.2	402.4	603.8	1055.4
			100°		12.1	34.3	97.9	140.9	49.9	130.0	186.0	238.2	416.4	624.6	1091.9
35° C (7.8)	-40° C (0.4)	60°	0.7	7.2	20.3	58.0	82.4	29.6	76.3	108.4	138.5	243.5	364.3	638.8	
		80°		7.5	21.0	59.9	85.1	30.6	78.8	112.0	143.1	251.6	376.4	660.1	
		100°		7.7	21.7	62.0	88.0	31.6	81.5	115.8	148.0	260.2	389.3	682.6	
	35° C (7.8)	-20° C (2.1)	60°	1	8.7	24.6	70.1	100.5	35.8	92.8	132.5	169.6	297.0	445.1	778.9
			80°		9.0	25.4	72.4	103.8	37.0	95.9	137.0	175.2	306.9	460.0	804.9
			100°		9.3	26.2	74.9	107.4	38.2	99.2	141.6	181.2	317.3	475.6	832.3
35° C (7.8)	0° C (5.2)	60°	0.7	7.9	22.3	63.6	90.3	32.5	83.6	118.9	151.9	267.1	399.6	700.6	
		80°		8.2	23.0	65.7	93.3	33.6	86.4	122.9	156.9	276.0	412.8	723.9	
		100°		8.5	23.8	68.0	96.5	34.7	89.4	127.0	162.3	285.4	426.9	748.6	
	35° C (7.8)	0° C (5.2)	60°	1	9.5	26.9	76.8	110.1	39.2	101.7	145.2	185.7	325.3	487.6	853.2
			80°		9.8	27.8	79.4	113.7	40.5	105.1	150.0	191.9	336.1	503.8	881.6
			100°		10.2	28.7	82.1	117.6	41.9	108.6	155.1	198.4	347.6	521.0	911.7
35° C (7.8)	0° C (5.2)	60°	0.7	8.6	24.2	69.0	98.0	35.2	90.8	129.0	164.8	289.9	433.6	760.3	
		80°		8.9	25.0	71.3	101.3	36.4	93.8	133.3	170.3	299.5	448.0	785.6	
		100°		9.2	25.9	73.7	104.7	37.7	97.0	137.9	176.1	309.7	463.3	812.4	
	35° C (7.8)	0° C (5.2)	60°	1	10.3	29.2	83.3	119.3	42.5	110.2	157.4	201.3	352.7	528.6	925.0
			80°		10.7	30.1	86.0	123.3	43.9	113.9	162.6	208.0	364.4	546.2	955.8
			100°		11.0	31.2	89.0	127.5	45.4	117.8	168.2	215.1	376.8	564.8	988.4

**A9, A8\_0 Condenser Bypass Capacities - Tons R404A Refrigeration & Air Conditioning Control Valves**

A9, A8 0 Condenser Bypass Capacities (Tons)													R404A		
Cond Temp (Sat pres) psig	Ev. Temp (Sat Pres) psig	Discharge Temp	Pres Drop psi	A9 3/8" 9 mm	A9 5/8" 15 mm	A9 7/8" 22 mm	A9 1-1/8" 28 mm	A8AOE 3/8" 9 mm	A8AOE 5/8" 15 mm	A8AOE 7/8" 22 mm	A81OE 1-1/8" 28 mm	A81OE 1-3/8" 35 mm	A82OE 1-5/8" 42 mm	A82OE 2-1/8" 54 mm	
75° F (161.2)	-40° F (5.5)	140°	10	2.2	6.2	17.7	25.0	9.1	23.2	32.9	42.0	74.0	110.6	194.2	
			180°	2.3	6.5	18.5	26.1	9.6	24.7	35.0	44.7	78.7	117.6	206.5	
				220°	2.4	6.8	19.2	27.2	10.0	25.7	36.5	46.6	82.1	122.7	215.3
		140°	15	180°	2.8	7.8	22.2	31.5	11.3	29.2	41.5	53.0	93.2	139.5	244.5
				180°	2.9	8.1	23.1	32.8	12.0	31.0	44.2	56.4	99.1	148.4	260.1
			220°	3.0	8.4	24.1	34.2	12.5	32.4	46.0	58.8	103.4	154.7	271.2	
75° F (161.2)	0° F (35.2)	140°	10	2.5	7.0	19.9	28.1	10.2	26.1	37.0	47.2	83.2	124.4	218.3	
			180°	2.6	7.3	20.8	29.3	10.8	27.8	39.3	50.2	88.5	132.2	232.2	
				220°	2.7	7.6	21.6	30.5	11.3	28.9	41.0	52.3	92.3	137.9	242.1
		140°	15	180°	3.1	8.7	24.9	35.4	12.7	32.8	46.6	59.5	104.6	156.6	274.4
				180°	3.2	9.1	25.9	36.9	13.5	34.8	49.6	63.3	111.3	166.5	291.9
			220°	3.4	9.5	27.0	38.4	14.1	36.3	51.7	66.0	116.0	173.6	304.3	
75° F (161.2)	40° F (87.8)	140°	10	2.7	7.7	21.9	31.0	11.2	28.7	40.8	52.0	91.7	137.0	240.5	
			180°	2.9	8.0	22.9	32.3	11.9	30.6	43.3	55.3	97.5	145.7	255.8	
				220°	3.0	8.4	23.8	33.7	12.4	31.9	45.2	57.7	101.7	151.9	266.7
		140°	15	180°	3.4	9.6	27.4	38.9	14.0	36.0	51.3	65.5	115.1	172.3	302.0
				180°	3.6	10.0	28.5	40.6	14.9	38.3	54.5	69.7	122.4	183.2	321.1
			220°	3.7	10.4	29.7	42.3	15.5	40.0	56.9	72.6	127.7	191.0	334.9	
95° F (219.4)	-40° F (5.5)	140°	10	1.6	4.6	13.0	18.4	6.7	17.0	24.1	30.8	54.3	81.1	142.5	
			180°	1.7	4.8	13.5	19.0	7.1	18.0	25.5	32.5	57.4	85.8	150.7	
				220°	1.8	4.9	14.1	19.8	7.3	18.8	26.6	33.9	59.8	89.3	156.9
		140°	15	180°	2.0	5.7	16.2	23.0	8.3	21.3	30.2	38.6	68.0	101.6	178.3
				180°	2.1	5.9	16.9	23.8	8.8	22.5	32.0	40.8	71.9	107.5	188.6
			220°	2.2	6.2	17.5	24.8	9.1	23.5	33.3	42.5	74.8	111.9	196.3	
95° F (219.4)	0° F (35.2)	140°	10	1.9	5.3	15.0	21.1	7.7	19.6	27.7	35.3	62.4	93.2	163.7	
			180°	2.0	5.5	15.5	21.9	8.1	20.7	29.3	37.4	66.0	98.5	173.2	
				220°	2.0	5.7	16.2	22.8	8.4	21.6	30.5	38.9	68.7	102.6	180.2
		140°	15	180°	2.3	6.5	18.6	26.3	9.5	24.4	34.7	44.2	77.9	116.5	204.4
				180°	2.4	6.8	19.3	27.3	10.1	25.8	36.7	46.8	82.4	123.2	216.3
			220°	2.5	7.1	20.1	28.4	10.5	26.9	38.2	48.7	85.8	128.3	225.1	
95° F (219.4)	40° F (87.8)	140°	10	2.1	5.9	16.8	23.6	8.6	21.9	31.0	39.5	69.8	104.3	183.2	
			180°	2.2	6.1	17.4	24.5	9.1	23.2	32.8	41.8	73.9	110.3	193.8	
				220°	2.3	6.4	18.1	25.5	9.4	24.1	34.1	43.5	76.9	114.8	201.7
		140°	15	180°	2.6	7.3	20.8	29.4	10.6	27.3	38.7	49.4	87.1	130.2	228.5
				180°	2.7	7.6	21.6	30.5	11.2	28.9	41.0	52.3	92.1	137.7	241.7
			220°	2.8	7.9	22.5	31.8	11.7	30.1	42.6	54.4	95.9	143.3	251.6	
115° F (290.4)	-40° F (5.5)	140°	10	1.2	3.3	9.4	13.2	4.8	12.3	17.4	22.1	39.1	58.4	102.7	
			180°	1.2	3.4	9.7	13.6	5.0	12.9	18.2	23.2	41.0	61.1	107.5	
				220°	1.3	3.5	10.0	14.1	5.2	13.4	18.9	24.1	42.5	63.5	111.6
		140°	15	180°	1.5	4.1	11.7	16.5	6.0	15.4	21.8	27.7	49.0	73.1	128.4
				180°	1.5	4.2	12.1	17.0	6.3	16.1	22.8	29.1	51.3	76.6	134.5
			220°	1.6	4.4	12.5	17.6	6.5	16.7	23.6	30.2	53.2	79.5	139.6	
115° F (290.4)	0° F (35.2)	140°	10	1.4	3.9	11.2	15.7	5.7	14.6	20.7	26.3	46.5	69.5	122.1	
			180°	1.4	4.1	11.5	16.2	6.0	15.3	21.6	27.6	48.7	72.7	127.9	
				220°	1.5	4.2	12.0	16.8	6.2	15.9	22.4	28.6	50.6	75.5	132.7
		140°	15	180°	1.7	4.9	13.9	19.6	7.1	18.2	25.8	32.9	58.1	86.8	152.4
				180°	1.8	5.0	14.3	20.2	7.5	19.1	27.0	34.5	60.8	90.8	159.6
			220°	1.9	5.2	14.9	20.9	7.7	19.8	28.0	35.8	63.1	94.3	165.6	
115° F (290.4)	40° F (87.8)	140°	10	1.6	4.5	12.9	18.0	6.6	16.8	23.7	30.2	53.4	79.7	140.1	
			180°	1.7	4.6	13.2	18.6	6.9	17.5	24.8	31.6	55.9	83.4	146.6	
				220°	1.7	4.8	13.7	19.2	7.1	18.2	25.7	32.8	58.0	86.6	152.2
		140°	15	180°	2.0	5.6	15.9	22.5	8.1	20.9	29.5	37.7	66.5	99.3	174.4
				180°	2.1	5.8	16.4	23.1	8.5	21.8	30.9	39.4	69.6	104.0	182.6
			220°	2.1	6.0	17.0	24.0	8.9	22.7	32.1	40.9	72.2	107.9	189.5	



**A9, A8 0 Condenser Bypass Capacities (Kilowatts)**

**R404A**

Cond Temp (Sat Pres) bar	Ev. Temp (Sat Pres) bar	Discharge Temp	Pres Drop bar	A9	A9	A9	A9	A8AOE	A8AOE	A8AOE	A81OE	A81OE	A82OE	A82OE	
				3/8" 9 mm	5/8" 15 mm	7/8" 22 mm	1-1/8" 28 mm	3/8" 9 mm	5/8" 15 mm	7/8" 22 mm	1-1/8" 28 mm	1-3/8" 35 mm	1-5/8" 42 mm	2-1/8" 54 mm	
25° C (11.2)	-40° C (0.4)	60°	0.7	8.0	22.4	63.9	90.1	32.6	83.6	118.5	151.2	266.7	398.5	699.6	
				80°	8.3	23.3	66.3	93.6	33.9	86.8	123.1	157.0	276.9	413.7	726.4
		100°		8.6	24.2	68.9	97.3	35.2	90.2	127.9	163.2	287.7	429.9	754.8	
				60°	1	9.7	27.3	77.8	110.5	39.7	102.4	145.5	185.9	326.9	489.1
		80°		10.1	28.3	80.8	114.8	41.3	106.3	151.1	193.0	339.4	507.8	890.4	
				100°	10.5	29.4	84.0	119.3	42.9	110.4	157.0	200.6	352.7	527.7	925.2
	25° C (11.2)	-20° C (2.1)	60°	0.7	8.9	25.0	71.1	100.4	36.4	93.2	132.1	168.5	297.1	443.9	779.4
					80°	9.2	25.9	73.9	104.3	37.8	96.7	137.1	175.0	308.5	460.9
			100°		9.6	26.9	76.8	108.4	39.2	100.5	142.5	181.8	320.5	479.0	840.9
					60°	1	10.8	30.4	86.6	123.0	44.2	113.9	161.9	206.8	363.7
			80°		11.2	31.5	89.9	127.7	45.9	118.3	168.1	214.8	377.6	565.0	990.6
					100°	11.6	32.8	93.4	132.7	47.7	122.9	174.7	223.2	392.4	587.1
25° C (11.2)	0° C (5.2)	60°	0.7	9.8	27.3	77.9	110.0	39.8	102.1	144.7	184.6	325.5	486.3	853.9	
				80°	10.1	28.4	80.9	114.2	41.4	106.0	150.2	191.7	337.9	505.0	886.6
		100°		10.5	29.5	84.1	118.7	43.0	110.1	156.1	199.2	351.1	524.7	921.2	
				60°	1	11.8	33.2	94.7	134.6	48.4	124.6	177.2	226.4	398.0	595.5
		80°		12.3	34.5	98.4	139.8	50.2	129.4	184.0	235.0	413.3	618.3	1084.1	
				100°	12.7	35.8	102.2	145.2	52.2	134.5	191.2	244.2	429.4	642.5	1126.4
	30° C (13.1)	-40° C (0.4)	60°	0.7	6.9	19.3	55.1	77.6	28.1	72.0	102.0	130.1	229.6	342.9	602.3
					80°	7.2	20.0	57.1	80.5	29.2	74.7	105.8	134.9	238.0	355.6
			100°		7.4	20.8	59.3	83.5	30.3	77.5	109.8	140.1	247.1	369.1	648.4
					60°	1	8.4	23.5	66.9	94.8	34.2	87.9	124.8	159.3	280.5
			80°		8.7	24.3	69.4	98.3	35.4	91.1	129.4	165.2	290.8	434.9	762.9
					100°	9.0	25.3	72.0	102.1	36.8	94.6	134.3	171.5	301.9	451.5
30° C (13.1)	-20° C (2.1)	60°	0.7	7.8	21.7	61.9	87.2	31.6	80.9	114.6	146.2	257.9	385.2	676.6	
				80°	8.0	22.5	64.1	90.4	32.8	83.9	118.8	151.5	267.4	399.4	701.5
		100°		8.3	23.4	66.6	93.8	34.0	87.1	123.3	157.3	277.6	414.7	728.3	
				60°	1	9.4	26.3	75.1	106.4	38.3	98.6	140.0	178.7	314.6	470.4
		80°		9.7	27.3	77.8	110.3	39.8	102.2	145.1	185.3	326.2	487.8	855.7	
				100°	10.1	28.3	80.8	114.5	41.3	106.1	150.7	192.4	338.6	506.4	888.4
30° C (13.1)	0° C (5.2)	60°	0.7	8.5	23.9	68.2	96.1	34.9	89.2	126.3	161.1	284.3	424.7	745.9	
				80°	8.9	24.8	70.7	99.6	36.1	92.5	131.0	167.1	294.8	440.3	773.4
		100°		9.2	25.8	73.4	103.4	37.5	96.0	136.0	173.4	306.0	457.1	802.9	
				60°	1	10.3	29.0	82.7	117.1	42.2	108.5	154.1	196.8	346.4	518.0
		80°		10.7	30.1	85.7	121.4	43.8	112.5	159.8	204.0	359.2	537.1	942.2	
				100°	11.1	31.2	89.0	126.1	45.5	116.8	165.9	211.8	372.9	557.6	978.2
35° C (15.1)	-40° C (0.4)	60°	0.7	6.0	16.7	47.7	67.1	24.4	62.3	88.2	112.4	198.5	296.5	520.9	
				80°	6.2	17.3	49.3	69.4	25.2	64.5	91.2	116.4	205.5	306.8	539.0
		100°		6.4	18.0	51.2	72.0	26.2	66.9	94.6	120.7	213.1	318.2	559.0	
				60°	1	7.2	20.3	57.9	81.8	29.6	75.9	107.6	137.4	242.1	361.8
		80°		7.5	21.0	59.9	84.7	30.6	78.5	111.4	142.2	250.5	374.4	657.2	
				100°	7.8	21.8	62.1	87.8	31.7	81.4	115.5	147.4	259.8	388.3	681.5
	35° C (15.1)	-20° C (2.1)	60°	0.7	6.8	19.0	54.1	76.1	27.7	70.7	100.0	127.6	225.2	336.3	590.9
					80°	7.0	19.7	56.0	78.8	28.6	73.1	103.5	132.0	233.1	348.1
			100°		7.3	20.4	58.1	81.7	29.7	75.9	107.4	136.9	241.7	361.0	634.2
					60°	1	8.2	23.0	65.5	92.7	33.5	85.9	121.9	155.6	274.2
			80°		8.5	23.8	67.8	95.9	34.7	88.9	126.2	161.0	283.7	424.1	744.4
					100°	8.8	24.7	70.4	99.5	35.9	92.2	130.8	167.0	294.3	439.8
35° C (15.1)	0° C (5.2)	60°	0.7	7.5	21.1	60.1	84.5	30.7	78.5	111.1	141.7	250.1	373.5	656.3	
				80°	7.8	21.8	62.2	87.5	31.8	81.2	115.0	146.6	258.9	386.6	679.2
		100°		8.1	22.6	64.5	90.7	33.0	84.2	119.2	152.0	268.5	400.9	704.3	
				60°	1	9.1	25.5	72.7	102.8	37.2	95.3	135.2	172.6	304.1	454.6
		80°		9.4	26.4	75.3	106.4	38.5	98.7	140.0	178.6	314.7	470.4	825.7	
				100°	9.8	27.4	78.0	110.3	39.9	102.3	145.1	185.2	326.4	487.9	856.3

**A9, A8\_0 Condenser Bypass Capacities (Tons) R507**

Cond Temp (Sat pres) psig	Ev. Temp (Sat Pres) psig	Discharge Temp	Pres Drop psi	A9	A9	A9	A9	A8AOE	A8AOE	A8AOE	A81OE	A81OE	A82OE	A82OE	
				3/8" 9 mm	5/8" 15 mm	7/8" 22 mm	1-1/8" 28 mm	3/8" 9 mm	5/8" 15 mm	7/8" 22 mm	1-1/8" 28 mm	1-3/8" 35 mm	1-5/8" 42 mm	2-1/8" 54 mm	
75° F (167)	-40° F (5.5)	140°	10	2.3	6.4	18.4	25.9	9.4	24.0	34.1	43.5	76.6	114.5	201.0	
				180°	2.4	6.7	19.2	27.1	10.0	25.7	36.4	46.4	81.9	122.4	214.9
				220°	2.5	7.0	20.1	28.3	10.5	26.8	38.0	48.5	85.6	127.8	224.5
		140°	15	2.8	8.0	22.8	32.5	11.7	30.1	42.8	54.6	96.0	143.7	251.9	
				180°	3.0	8.4	23.9	34.0	12.5	32.1	45.7	58.4	102.7	153.6	269.3
				220°	3.1	8.8	25.0	35.5	13.0	33.6	47.8	61.0	107.2	160.5	281.3
75° F (167)	0° F (35.2)	140°	10	2.6	7.2	20.5	28.9	10.5	26.8	38.0	48.5	85.6	127.9	224.6	
				180°	2.7	7.5	21.4	30.3	11.2	28.7	40.7	51.9	91.5	136.7	240.1
				220°	2.8	7.9	22.4	31.6	11.7	30.0	42.5	54.2	95.6	142.8	250.8
		140°	15	3.2	8.9	25.5	36.2	13.0	33.5	47.7	60.9	107.1	160.3	281.0	
				180°	3.3	9.3	26.7	37.9	13.9	35.9	51.0	65.2	114.5	171.4	300.4
				220°	3.5	9.8	27.9	39.6	14.5	37.5	53.3	68.1	119.6	179.0	313.9
75° F (167)	40° F (87.8)	140°	10	2.8	7.9	22.5	31.8	11.5	29.5	41.8	53.3	94.1	140.6	246.8	
				180°	2.9	8.3	23.6	33.2	12.3	31.5	44.7	57.0	100.6	150.2	263.8
				220°	3.1	8.6	24.6	34.7	12.9	32.9	46.7	59.6	105.1	157.0	275.6
		140°	15	3.5	9.8	28.0	39.8	14.3	36.8	52.4	66.9	117.6	176.0	308.5	
				180°	3.6	10.3	29.3	41.6	15.3	39.4	56.0	71.5	125.7	188.1	329.8
				220°	3.8	10.7	30.6	43.5	16.0	41.1	58.5	74.7	131.3	196.5	344.5
95° F (226)	-40° F (5.5)	140°	10	1.8	5.0	14.1	19.8	7.2	18.4	26.1	33.2	58.7	87.6	154.0	
				180°	1.8	5.2	14.7	20.7	7.7	19.6	27.8	35.4	62.5	93.3	164.0
				220°	1.9	5.4	15.3	21.6	8.0	20.5	29.0	36.9	65.2	97.4	171.1
		140°	15	2.2	6.1	17.5	24.7	8.9	22.9	32.5	41.5	73.1	109.3	191.8	
				180°	2.3	6.4	18.2	25.8	9.5	24.4	34.7	44.2	77.9	116.5	204.4
				220°	2.4	6.7	19.0	26.9	9.9	25.5	36.2	46.1	81.3	121.5	213.3
95° F (226)	0° F (35.2)	140°	10	2.0	5.6	16.0	22.6	8.2	20.9	29.6	37.8	66.7	99.7	175.1	
				180°	2.1	5.9	16.7	23.5	8.7	22.3	31.6	40.3	71.1	106.2	186.6
				220°	2.2	6.1	17.5	24.5	9.1	23.3	32.9	42.0	74.2	110.8	194.7
		140°	15	2.5	7.0	19.9	28.1	10.1	26.0	36.9	47.1	83.0	124.1	217.9	
				180°	2.6	7.3	20.7	29.3	10.8	27.7	39.3	50.2	88.5	132.3	232.1
				220°	2.7	7.6	21.6	30.6	11.3	28.9	41.1	52.4	92.3	138.0	242.2
95° F (226)	40° F (87.8)	140°	10	2.2	6.3	17.9	25.1	9.1	23.3	33.0	42.1	74.3	111.0	195.1	
				180°	2.3	6.5	18.6	26.2	9.7	24.9	35.2	44.9	79.2	118.3	207.8
				220°	2.4	6.8	19.4	27.3	10.2	25.9	36.7	46.8	82.6	123.4	216.8
		140°	15	2.8	7.8	22.1	31.2	11.3	29.0	41.1	52.4	92.4	138.1	242.4	
				180°	2.9	8.1	23.0	32.6	12.0	30.9	43.8	55.9	98.4	147.2	258.3
				220°	3.0	8.4	24.0	34.0	12.6	32.2	45.7	58.3	102.7	153.5	269.5
115° F (301)	-40° F (5.5)	140°	10	1.3	3.7	10.7	15.0	5.5	13.9	19.7	25.1	44.3	66.1	116.3	
				180°	1.4	3.9	11.1	15.5	5.8	14.7	20.8	26.5	46.9	70.0	123.0
				220°	1.4	4.0	11.5	16.2	6.0	15.3	21.7	27.6	48.8	72.8	128.1
		140°	15	1.7	4.7	13.2	18.7	6.8	17.3	24.5	31.3	55.2	82.5	144.9	
				180°	1.7	4.8	13.7	19.4	7.2	18.3	26.0	33.1	58.4	87.3	153.3
				220°	1.8	5.0	14.3	20.1	7.5	19.1	27.0	34.5	60.8	90.9	159.6
115° F (301)	0° F (35.2)	140°	10	1.6	4.4	12.5	17.5	6.4	16.3	23.0	29.3	51.8	77.3	136.0	
				180°	1.6	4.5	12.9	18.2	6.8	17.2	24.3	31.0	54.8	81.8	143.8
				220°	1.7	4.7	13.5	18.9	7.0	17.9	25.3	32.3	57.1	85.2	149.7
		140°	15	1.9	5.4	15.5	21.8	7.9	20.2	28.6	36.5	64.4	96.2	169.0	
				180°	2.0	5.6	16.0	22.6	8.4	21.4	30.3	38.6	68.2	101.8	178.8
				220°	2.1	5.9	16.7	23.5	8.7	22.3	31.5	40.2	71.0	106.0	186.2
115° F (301)	40° F (87.8)	140°	10	1.8	5.0	14.2	19.9	7.3	18.5	26.1	33.3	58.9	87.9	154.5	
				180°	1.8	5.2	14.7	20.6	7.7	19.6	27.6	35.2	62.3	93.0	163.5
				220°	1.9	5.4	15.3	21.5	8.0	20.4	28.8	36.7	64.9	96.8	170.2
		140°	15	2.2	6.2	17.5	24.7	9.0	22.9	32.5	41.4	73.1	109.2	191.8	
				180°	2.3	6.4	18.2	25.6	9.5	24.3	34.4	43.8	77.4	115.5	203.0
				220°	2.4	6.6	18.9	26.7	9.9	25.3	35.8	45.6	80.5	120.3	211.3

**A9, A8 0 Condenser Bypass Capacities (Kilowatts)**

**R507**

Cond Temp (Sat Pres) bar	Ev. Temp (Sat Pres) bar	Discharge Temp	Pres Drop bar	A9	A9	A9	A9	A8AOE	A8AOE	A8AOE	A81OE	A81OE	A82OE	A82OE		
				3/8" 9 mm	5/8" 15 mm	7/8" 22 mm	1-1/8" 28 mm	3/8" 9 mm	5/8" 15 mm	7/8" 22 mm	1-1/8" 28 mm	1-3/8" 35 mm	1-5/8" 42 mm	2-1/8" 54 mm		
25° C (11.6)	-40° C (0.4)	60°	0.7	8.3	23.4	66.6	94.0	34.0	87.2	123.6	157.7	278.1	415.5	729.6		
				80°	8.7	24.4	69.4	98.0	35.5	90.9	128.8	164.3	289.8	433.0	760.3	
				100°	9.1	25.4	72.3	102.0	37.0	94.7	134.2	171.2	301.9	451.0	792.0	
		60°	1	10.1	28.4	80.9	114.8	41.3	106.3	151.1	193.0	339.5	507.8	890.5		
				80°	10.5	29.6	84.3	119.6	43.0	110.8	157.5	201.2	353.8	529.3	928.1	
				100°	10.9	30.8	87.8	124.6	44.8	115.4	164.1	209.5	368.5	551.3	966.8	
	25° C (11.6)	-20° C (2.1)	60°	0.7	9.2	25.9	73.8	104.1	37.7	96.6	136.9	174.6	307.9	460.1	807.9	
					80°	9.6	27.0	76.9	108.5	39.3	100.6	142.6	182.0	320.9	479.5	841.9
					100°	10.0	28.1	80.1	113.0	40.9	104.8	148.6	189.5	334.3	499.4	877.0
60°			1	11.2	31.4	89.4	127.0	45.7	117.6	167.1	213.5	375.5	561.7	985.0		
				80°	11.6	32.7	93.2	132.3	47.6	122.6	174.2	222.5	391.3	585.4	1026.5	
				100°	12.1	34.1	97.1	137.8	49.6	127.7	181.4	231.7	407.6	609.8	1069.3	
25° C (11.6)	0° C (5.2)	60°	0.7	10.1	28.3	80.6	113.7	41.2	105.5	149.5	190.7	336.3	502.4	882.3		
				80°	10.5	29.5	84.0	118.5	42.9	109.9	155.8	198.7	350.5	523.6	919.4	
				100°	10.9	30.7	87.5	123.4	44.7	114.5	162.2	207.0	365.0	545.4	957.7	
		60°	1	12.2	34.2	97.6	138.5	49.8	128.3	182.4	232.9	409.7	612.9	1074.7		
				80°	12.7	35.7	101.7	144.4	51.9	133.7	190.1	242.8	427.0	638.7	1120.0	
				100°	13.2	37.2	105.9	150.4	54.1	139.3	198.0	252.9	444.8	665.3	1166.7	
30° C (13.5)	-40° C (0.4)	60°	0.7	7.3	20.6	58.6	82.5	29.9	76.6	108.5	138.4	244.2	364.7	640.7		
				80°	7.6	21.4	61.0	85.9	31.2	79.8	113.0	144.1	254.3	379.8	667.1	
				100°	8.0	22.3	63.5	89.5	32.5	83.1	117.6	150.0	264.7	395.4	694.5	
		60°	1	8.9	24.9	70.9	100.5	36.2	93.1	132.2	168.8	297.1	444.3	779.5		
				80°	9.2	25.9	73.9	104.6	37.7	97.0	137.7	175.7	309.4	462.6	811.7	
				100°	9.6	27.0	76.9	108.9	39.3	101.0	143.3	183.0	322.1	481.7	845.1	
	30° C (13.5)	-20° C (2.1)	60°	0.7	8.2	22.9	65.3	92.0	33.4	85.4	120.9	154.3	272.2	406.6	714.3	
					80°	8.5	23.9	68.0	95.8	34.8	88.9	125.9	160.6	283.5	423.4	743.7
					100°	8.9	24.9	70.8	99.8	36.2	92.6	131.1	167.2	295.1	440.8	774.3
60°			1	9.9	27.7	79.0	111.9	40.4	103.7	147.2	187.9	330.9	494.8	868.0		
				80°	10.3	28.9	82.3	116.5	42.0	108.0	153.3	195.7	344.6	515.2	903.9	
				100°	10.7	30.0	85.7	121.3	43.8	112.4	159.6	203.7	358.7	536.4	941.1	
30° C (13.5)	0° C (5.2)	60°	0.7	9.0	25.2	71.7	101.0	36.7	93.8	132.8	169.4	298.9	446.5	784.3		
				80°	9.4	26.2	74.7	105.2	38.2	97.7	138.3	176.4	311.3	464.9	816.6	
				100°	9.7	27.3	77.8	109.5	39.7	101.7	144.0	183.6	324.0	484.0	850.2	
		60°	1	10.8	30.4	86.7	122.7	44.3	113.7	161.5	206.2	363.0	542.7	952.2		
				80°	11.3	31.7	90.2	127.8	46.1	118.4	168.2	214.7	378.0	565.2	991.6	
				100°	11.7	33.0	94.0	133.1	48.0	123.3	175.1	223.5	393.5	588.4	1032.3	
35° C (15.6)	-40° C (0.4)	60°	0.7	6.5	18.2	51.7	72.8	26.5	67.6	95.6	122.0	215.4	321.6	565.0		
				80°	6.8	18.9	53.8	75.7	27.5	70.3	99.5	126.8	224.0	334.4	587.7	
				100°	7.0	19.7	56.0	78.8	28.6	73.1	103.5	132.0	233.0	347.9	611.4	
		60°	1	7.8	22.0	62.6	88.4	32.0	82.0	116.3	148.4	261.6	391.0	686.3		
				80°	8.1	22.8	65.1	92.0	33.3	85.3	121.0	154.4	272.1	406.7	713.8	
				100°	8.5	23.8	67.7	95.7	34.6	88.7	125.9	160.6	283.1	423.1	742.6	
	35° C (15.6)	-20° C (2.1)	60°	0.7	7.3	20.4	58.1	81.8	29.7	76.0	107.5	137.1	242.1	361.4	635.1	
					80°	7.6	21.2	60.5	85.1	30.9	79.0	111.8	142.6	251.8	375.9	660.5
					100°	7.9	22.1	62.9	88.5	32.2	82.2	116.3	148.3	261.9	391.1	687.1
60°			1	8.8	24.6	70.2	99.3	35.9	92.1	130.6	166.6	293.6	438.9	770.4		
				80°	9.1	25.6	73.1	103.3	37.3	95.8	135.8	173.3	305.4	456.5	801.3	
				100°	9.5	26.7	76.0	107.4	38.8	99.6	141.3	180.3	317.8	474.9	833.6	
35° C (15.6)	0° C (5.2)	60°	0.7	8.1	22.6	64.2	90.4	32.8	83.9	118.8	151.5	267.4	399.3	701.7		
				80°	8.4	23.5	66.8	94.0	34.2	87.3	123.5	157.5	278.2	415.3	729.8	
				100°	8.7	24.4	69.5	97.8	35.5	90.8	128.5	163.9	289.4	432.1	759.2	
		60°	1	9.7	27.2	77.5	109.6	39.6	101.6	144.1	183.9	324.1	484.4	850.3		
				80°	10.1	28.3	80.6	114.0	41.2	105.7	149.9	191.3	337.1	503.9	884.4	
				100°	10.5	29.4	83.9	118.6	42.9	110.0	155.9	199.0	350.7	524.2	920.1	

## Hot Gas Bypass

Hot gas bypass is a method of compressor capacity control that has been utilized in the refrigeration and air conditioning industry for many years. A significant number of refrigeration and air conditioning systems operate at full capacity no more than 20% of their running time. As a result, many compressors operating above fifteen horsepower are equipped with cylinder unloading devices whereby the capacity of the compressor can effectively be reduced. The need for automatic hot gas bypass becomes evident, however, for those systems having compressors that do not possess cylinder unloading, or for those systems with unloading capability, but without or lacking suction pressure control between the last stage of unloading and 0% capacity.

A hot gas bypass system is designed to artificially load the compressor upon a decrease in evaporator load for one or more of the following reasons:

- To prevent the operation of the compressor at unacceptably low suction pressures, which could result in oil pumping, compressor cycling, temperature variation, and eventual compressor or motor failure.
- To prevent a significant drop in evaporator temperature where constant conditions are required.
- To prevent the frosting of the evaporator coil, which can cause a loss of capacity due to the restricted air flow.

Basic hot gas bypass systems are illustrated in Figures 3 and 4.

A portion of the refrigerant discharge gas is bypassed around the condenser and thermostatic expansion valve, effectively reducing the flow of refrigerant available for cooling. In addition to the reduction in refrigeration effect due to the reduced liquid refrigerant flow through the condenser and expansion valve, the heat content of the hot gas bypassed compared to the suction gas will add load, further reducing the refrigeration effect of the evaporator.

Compressor suction pressure is the principal condition being controlled with any hot gas bypass system. Therefore, whenever discharge gas is introduced into the inlet of the evaporator by means of a hot gas bypass regulator, the regulator must be used with an external equalizer connected to the compressor suction main, and at a point downstream of any evaporator pressure regulator which may be used. In this manner, any pressure drop conditions due to distributors, evaporator circuiting, or valves will not affect the operation of the hot gas bypass regulator.

The two commercial regulators recommended for hot gas bypass applications are the Refrigerating Specialties A9E, and A8\_OE series. The A9E is physically the smaller of the two valve types, covering port sizes of 3/8" through 1-1/8", and was originally designed specifically for hot gas bypass applications. The A8 series covers three different body sizes, the A8AOE, A81OE, and A82OE, and cover a much larger capacity range, with port sizes as large as 2 1/8".



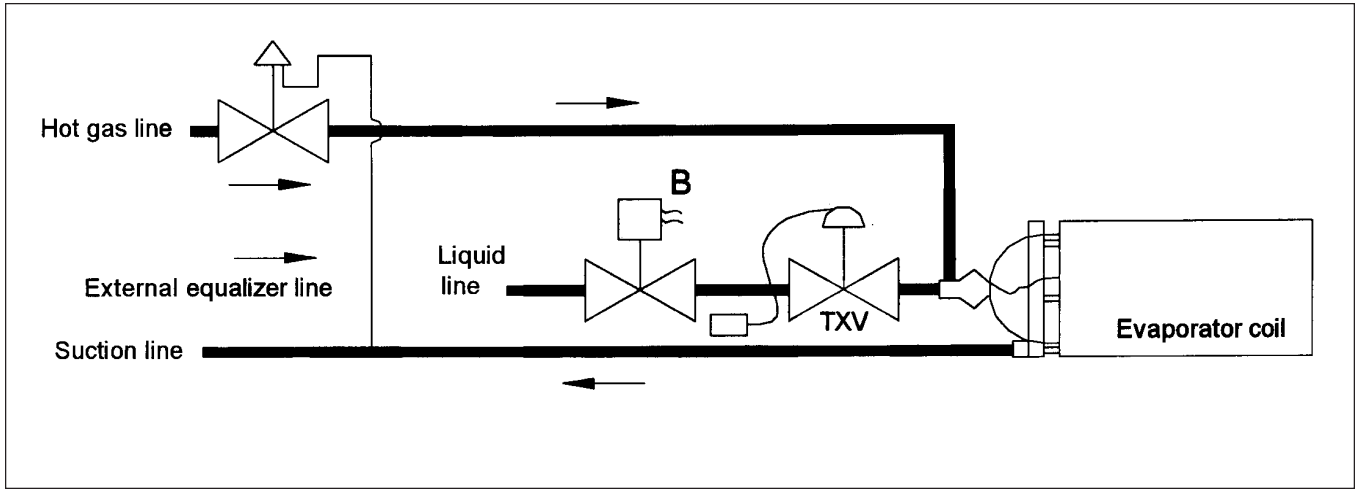


Figure 3 - Hot gas bypass to entrance of evaporator. (See page 72 for symbols legend).

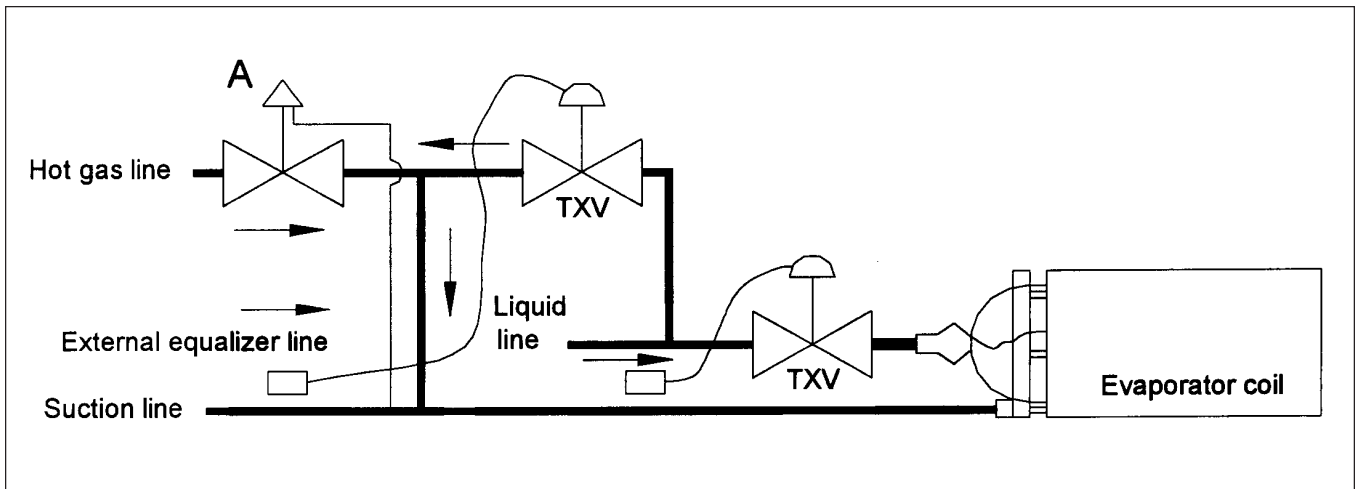


Figure 4 - Hot gas bypass to suction with liquid injection. (See page 72 for symbols legend).

Valve Legend				
Label	Valve Function	Application	Design	Selection Page
A	Outlet Pressure Regulator	Hot Gas Bypass	A9 or A8_OE	58-61
B	Solenoid Valve	Liquid Feed	SC	65

### Hot Gas Bypass Capacities in Tons

### R22

Cond. Temp.	Discharge Temp	A9 3/8	A9 5/8	A9 7/8	A9 1-1/8	A8AOE 3/8	A8AOE 5/8	A8AOE 7/8	A81OE 1-1/8	A81OE 1-3/8	A82OE 1-5/8	A82OE 2-1/8
86° F	140° F	1.4	4.1	12.0	19.1	6.0	17.1	25.8	33.6	56.2	86.0	147.0
	180° F	1.5	4.3	12.4	19.9	6.3	17.8	26.8	34.9	58.4	89.4	152.8
	220° F	1.5	4.5	12.9	20.6	6.5	18.5	27.8	36.2	60.6	92.7	158.6
100° F	140° F	1.6	4.8	13.8	22.3	7.0	19.8	30.3	39.8	65.3	100.9	170.9
	180° F	1.7	5.0	14.4	23.3	7.3	20.7	31.7	41.6	68.3	105.5	178.7
	220° F	1.8	5.2	15.0	24.3	7.6	21.6	33.1	43.4	71.2	110.0	186.3
110° F	140° F	1.8	5.2	15.1	24.4	7.6	21.7	33.2	43.8	71.5	110.5	187.0
	180° F	1.9	5.5	15.9	25.7	8.0	22.8	34.9	46.0	75.1	116.1	196.5
	220° F	1.9	5.7	16.6	26.9	8.4	23.8	36.5	48.1	78.7	121.5	205.8
120° F	140° F	1.9	5.7	16.4	26.5	8.2	23.5	36.0	47.5	77.5	119.8	202.8
	180° F	2.0	6.0	17.3	28.0	8.7	24.8	38.1	50.2	81.9	126.6	214.4
	220° F	2.1	6.3	18.2	29.4	9.2	26.1	40.0	52.8	86.2	133.2	225.5

### Hot Gas Bypass Capacities in Tons

### R134a

Cond Temp'	Discharge Temp	A9 3/8	A9 5/8	A9 7/8	A9 1-1/8	A8AOE 3/8	A8AOE 5/8	A8AOE 7/8	A81OE 1-1/8	A81OE 1-3/8	A82OE 1-5/8	A82OE 2-1/8
86° F	140° F	1.0	2.8	8.2	13.2	4.1	11.8	17.9	23.4	38.8	59.7	101.5
	180° F	1.0	3.0	8.7	14.1	4.4	12.5	19.0	24.9	41.3	63.5	108.0
	220° F	1.1	3.2	9.2	14.9	4.7	13.3	20.2	26.4	43.7	67.3	114.4
100° F	140° F	1.1	3.3	9.6	15.5	4.8	13.8	21.1	27.9	45.5	70.3	119.1
	180° F	1.2	3.6	10.3	16.6	5.2	14.8	22.7	29.8	48.8	75.3	127.6
	220° F	1.3	3.8	11.0	17.7	5.5	15.7	24.1	31.8	52.0	80.3	135.9
110° F	140° F	1.2	3.7	10.6	17.2	5.4	15.3	23.4	30.8	50.4	77.8	131.7
	180° F	1.3	4.0	11.5	18.5	5.8	16.5	25.2	33.2	54.3	83.9	142.0
	220° F	1.4	4.2	12.3	19.8	6.2	17.6	27.0	35.6	58.1	89.8	152.1
120° F	140° F	1.4	4.0	11.6	18.8	5.9	16.7	25.6	33.7	55.1	85.2	144.2
	180° F	1.5	4.4	12.6	20.5	6.4	18.2	27.8	36.7	59.9	92.6	156.7
	220° F	1.6	4.7	13.6	22.0	6.9	19.5	30.0	39.5	64.5	99.7	168.7

### Hot Gas Bypass Capacities in Kilowatts

### R134a

Cond Temp.	Discharge Temp	A9 9 mm	A9 15 mm	A9 22 mm	A9 28 mm	A8AOE 9 mm	A8AOE 15 mm	A8AOE 22 mm	A81OE 28 mm	A81OE 35 mm	A82OE 42 mm	A82OE 54 mm
30° C	60° C	4.4	12.4	28.9	46.6	14.5	41.4	63.0	82.3	136.5	210.0	357.1
	90° C	4.6	13.4	30.5	49.2	15.4	43.8	66.6	87.0	144.3	222.0	377.6



### Hot Gas Bypass Capacities in Kilowatts

### R22

Cond. Temp.	Discharge Temp	A9 9 mm	A9 15 mm	A9 22 mm	A9 28 mm	A8AOE 9 mm	A8AOE 15 mm	A8AOE 22 mm	A81OE 28 mm	A81OE 35 mm	A82OE 42 mm	A82OE 54 mm
30° C	60° C	4.9	14.6	42.1	67.3	21.2	60.2	90.6	118.0	197.5	302.5	517.1
	80° C	5.1	15.1	43.6	69.7	22.0	62.4	93.8	122.1	204.5	313.1	535.4
	100° C	5.3	15.6	45.1	72.0	22.7	64.5	97.0	126.3	211.5	323.8	553.7
40° C	60° C	5.9	17.4	50.3	81.4	25.4	72.2	110.8	145.8	238.4	368.4	623.7
	80° C	6.1	18.2	52.5	84.9	26.5	75.3	115.5	152.0	248.6	384.2	650.4
	100° C	6.4	18.9	54.6	88.3	27.5	78.4	120.2	158.1	258.7	399.7	676.6
45° C	60° C	6.4	18.8	54.5	88.1	27.4	78.1	119.8	157.9	257.9	398.6	674.7
	80° C	6.7	19.7	57.0	92.2	28.7	81.8	125.5	165.4	270.1	417.4	706.7
	100° C	7.0	20.6	59.5	96.3	30.0	85.4	131.0	172.6	282.0	435.7	737.6
50° C	60° C	6.8	20.2	58.4	94.5	29.4	83.8	128.6	169.4	276.7	427.6	723.9
	80° C	7.2	21.3	61.5	99.5	31.0	88.3	135.4	178.4	291.4	450.3	762.2
	100° C	7.5	22.3	64.5	104.3	32.5	92.5	141.9	187.0	305.4	471.9	798.9

### Hot Gas Bypass Capacities in Kilowatts

### R134a

Cond Temp.	Discharge Temp	A9 9 mm	A9 15 mm	A9 22 mm	A9 28 mm	A8AOE 9 mm	A8AOE 15 mm	A8AOE 22 mm	A81OE 28 mm	A81OE 35 mm	A82OE 42 mm	A82OE 54 mm
30° C	60° C	3.4	10.0	28.9	46.6	14.5	41.4	63.0	82.3	136.5	210.0	357.1
	80° C	3.6	10.6	30.5	49.2	15.4	43.8	66.6	87.0	144.3	222.0	377.6
	100° C	3.8	11.1	32.2	51.9	16.2	46.1	70.2	91.7	152.1	233.9	398.0
40° C	60° C	4.1	12.2	35.2	57.0	17.8	50.5	77.5	102.1	166.8	257.8	436.4
	80° C	4.4	13.0	37.6	60.8	18.9	53.9	82.7	108.9	178.0	275.0	465.5
	100° C	4.7	13.8	39.9	64.5	20.1	57.2	87.7	115.6	188.9	291.8	494.0
45° C	60° C	4.5	13.3	38.5	62.2	19.4	55.2	84.6	111.5	182.2	281.5	476.6
	80° C	4.8	14.3	41.3	66.7	20.8	59.2	90.8	119.6	195.4	302.0	511.2
	100° C	5.1	15.2	44.0	71.1	22.2	63.1	96.8	127.5	208.3	321.8	544.8
50° C	60° C	4.9	14.4	41.6	67.3	21.0	59.7	91.6	120.7	197.2	304.7	515.8
	80° C	5.3	15.6	45.0	72.7	22.7	64.5	99.0	130.4	213.0	329.1	557.2
	100° C	5.6	16.7	48.2	77.9	24.3	69.1	106.0	139.6	228.1	352.5	596.7

### Hot Gas Bypass Capacities in Tons

### R404A

Cond Temp'	Discharge Temp	A9 3/8	A9 5/8	A9 7/8	A9 1-1/8	A8AOE 3/8	A8AOE 5/8	A8AOE 7/8	A81OE 1-1/8	A81OE 1-3/8	A82OE 1-5/8	A82OE 2-1/8
86° F	140° F	1.5	4.4	12.6	20.2	6.3	18.0	27.2	35.5	59.2	90.8	155.0
	180° F	1.6	4.7	13.6	21.8	6.9	19.5	29.4	38.3	63.9	98.0	167.3
	220° F	1.7	5.1	14.6	23.4	7.4	20.9	31.5	41.1	68.6	105.2	179.6
100° F	140° F	1.6	4.9	14.0	22.7	7.1	20.1	30.8	40.5	66.4	102.6	173.6
	180° F	1.8	5.3	15.3	24.8	7.7	22.0	33.7	44.3	72.5	112.1	189.7
	220° F	1.9	5.7	16.6	26.8	8.4	23.8	36.5	48.0	78.6	121.4	205.5
110° F	140° F	1.7	5.1	14.9	24.0	7.5	21.3	32.7	43.1	70.3	108.7	184.0
	180° F	1.9	5.7	16.4	26.5	8.3	23.6	36.1	47.6	77.8	120.1	203.4
	220° F	2.1	6.2	17.9	29.0	9.0	25.7	39.5	52.0	85.0	131.3	222.2
120° F	140° F	1.8	5.3	15.4	24.9	7.8	22.1	33.9	44.6	72.9	112.7	190.7
	180° F	2.0	6.0	17.3	28.0	8.7	24.9	38.1	50.2	82.0	126.8	214.6
	220° F	2.2	6.6	19.1	31.0	9.6	27.5	42.1	55.5	90.7	140.1	237.2

### Hot Gas Bypass Capacities in Tons

### R507

Cond Temp'	Discharge Temp	A9 3/8	A9 5/8	A9 7/8	A9 1-1/8	A8_OE 3/8	A8_OE 5/8	A8_OE 7/8	A8_OE 1-1/8	A8_OE 1-3/8	A8_OE 1-5/8	A8_OE 2-1/8
86° F	140° F	1.5	4.6	13.2	21.1	6.6	18.9	28.5	37.1	62.0	95.0	162.3
	180° F	1.7	4.9	14.3	22.9	7.2	20.5	30.8	40.2	67.2	102.9	175.8
	220° F	1.8	5.3	15.4	24.6	7.7	22.0	33.2	43.2	72.2	110.6	189.0
100° F	140° F	1.7	5.1	14.8	24.0	7.5	21.3	32.6	42.9	70.3	108.6	183.8
	180° F	1.9	5.6	16.3	26.3	8.2	23.3	35.8	47.0	77.0	119.1	201.6
	220° F	2.1	6.1	17.6	28.5	8.9	25.3	38.8	51.0	83.5	129.1	218.5
110° F	140° F	1.9	5.5	15.9	25.7	8.0	22.8	35.0	46.1	75.3	116.3	196.9
	180° F	2.1	6.1	17.6	28.5	8.9	25.3	38.8	51.1	83.5	129.0	218.4
	220° F	2.3	6.7	19.3	31.1	9.7	27.6	42.4	55.8	91.2	141.0	238.6
120° F	140° F	2.0	5.8	16.7	27.0	8.4	24.0	36.8	48.5	79.2	122.3	207.1
	180° F	2.2	6.5	18.8	30.5	9.5	27.0	41.5	54.6	89.3	137.9	233.5
	220° F	2.4	7.2	20.8	33.6	10.5	29.8	45.8	60.3	98.5	152.2	257.7

### Hot Gas Bypass Capacities in Kilowatts

### R404A

Cond Temp'	Discharge Temp	A9 9 mm	A9 15 mm	A9 22 mm	A9 28 mm	A8AOE 9 mm	A8AOE 15 mm	A8AOE 22 mm	A81OE 28 mm	A81OE 35 mm	A82OE 42 mm	A82OE 54 mm
30° C	60° C	5.2	15.3	44.3	71.0	22.3	63.4	95.7	124.7	208.3	319.3	545.3
	80° C	5.5	16.4	47.5	76.0	23.9	68.0	102.5	133.6	223.2	342.1	584.2
	100° C	5.9	17.5	50.6	81.1	25.5	72.5	109.3	142.5	238.1	364.8	623.1
40° C	60° C	5.9	17.5	50.6	81.8	25.5	72.6	111.3	146.6	239.5	370.1	626.6
	80° C	6.4	19.0	55.0	88.9	27.7	78.9	121.0	159.4	260.5	402.5	681.4
	100° C	6.9	20.5	59.3	96.0	29.9	85.1	130.6	171.9	281.0	434.3	735.1
45° C	60° C	6.2	18.3	52.9	85.6	26.7	76.0	116.5	153.5	250.7	387.4	655.9
	80° C	6.8	20.1	58.2	94.1	29.3	83.5	128.1	168.8	275.7	426.1	721.2
	100° C	7.4	21.9	63.3	102.4	31.9	90.9	139.3	183.6	299.9	463.4	784.4
50° C	60° C	6.4	18.8	54.3	87.9	27.4	78.0	119.5	157.5	257.3	397.6	673.1
	80° C	7.1	21.0	60.7	98.2	30.6	87.1	133.6	176.1	287.6	444.4	752.4
	100° C	7.8	23.1	66.8	108.0	33.6	95.8	146.9	193.6	316.2	488.6	827.1

### Hot Gas Bypass Capacities in Kilowatts

### R507

Cond. Temp.	Discharge Temp	A9 9 mm	A9 15 mm	A9 22 mm	A9 28 mm	A8AOE 9 mm	A8AOE 15 mm	A8AOE 22 mm	A81OE 28 mm	A81OE 35 mm	A82OE 42 mm	A82OE 54 mm
30° C	60° C	5.4	16.0	46.4	74.3	23.4	66.4	100.1	130.5	218.0	334.1	570.7
	80° C	5.8	17.3	49.9	79.9	25.1	71.4	107.7	140.3	234.4	359.2	613.6
	100° C	6.2	18.4	53.3	85.3	26.9	76.3	115.0	149.8	250.4	383.7	655.5
40° C	60° C	6.3	18.6	53.7	86.8	27.1	77.1	118.2	155.6	254.3	393.0	665.3
	80° C	6.9	20.3	58.6	94.8	29.5	84.1	129.0	169.8	277.6	428.9	726.1
	100° C	7.4	21.9	63.3	102.3	31.9	90.8	139.3	183.4	299.7	463.1	784.0
45° C	60° C	6.6	19.7	56.9	91.9	28.7	81.6	125.1	164.8	269.3	416.1	704.4
	80° C	7.3	21.7	62.7	101.4	31.6	90.0	138.0	181.8	297.0	458.9	776.9
	100° C	8.0	23.6	68.2	110.3	34.4	97.9	150.1	197.7	323.0	499.1	844.9
50° C	60° C	6.9	20.5	59.2	95.8	29.8	85.0	130.3	171.7	280.4	433.4	733.6
	80° C	7.7	22.9	66.3	107.2	33.4	95.1	145.9	192.2	313.9	485.1	821.2
	100° C	8.5	25.2	72.8	117.7	36.7	104.4	160.1	211.0	344.6	532.5	901.5

## Discharge Regulators for Supermarket Applications

The Parker Refrigerating Specialties Division has built a reputation as a principal supplier of reliable, high side control valves to the supermarket industry. One of the more critical applications on a commercial refrigeration system where hot gas is utilized for defrosting purposes is the use of a regulator in the discharge line. Refrigerating Specialties types A81BL or A82BL have become a standard for many supermarket rack manufacturers specifically for this application.

The "BL" version of an A8 regulator in a discharge application serves two functions. The valve is either in a wide open (or bypassed) position with it's solenoid energized to facilitate a minimum pressure drop through the valve when no refrigeration circuits are calling for defrost. In this mode, the valve essentially is acting as a low pressure drop solenoid in an opened position. When a refrigeration circuit begins a defrost sequence however, the solenoid on the discharge A8\_BL regulator is de-energized (via the defrost program), thereby converting the valve into a differential pressure regulator.

A differential regulator communicates outlet pressure into the valve's bonnet in order to compensate range spring pressure with downstream pressure. The set point of the valve thus becomes the sum of spring pressure plus outlet pressure. Whatever the range spring pressure is set for effectively becomes the

pressure difference the valve will maintain from its inlet to outlet. If, for example, the regulator was set to maintain a 25 psi set point, the valve will regulate and maintain an upstream pressure 25 psi higher than it's downstream pressure, regardless of fluctuations in downstream pressure. In this application, the regulator ensures that the hot gas pressure supplied to a circuit for defrost purposes will be high enough to overcome the pressure drop through the supply line, the losses through valves and fittings, and through the evaporator coil. The defrost condensate exits the evaporator and is then introduced, at an elevated pressure, back into the liquid line.

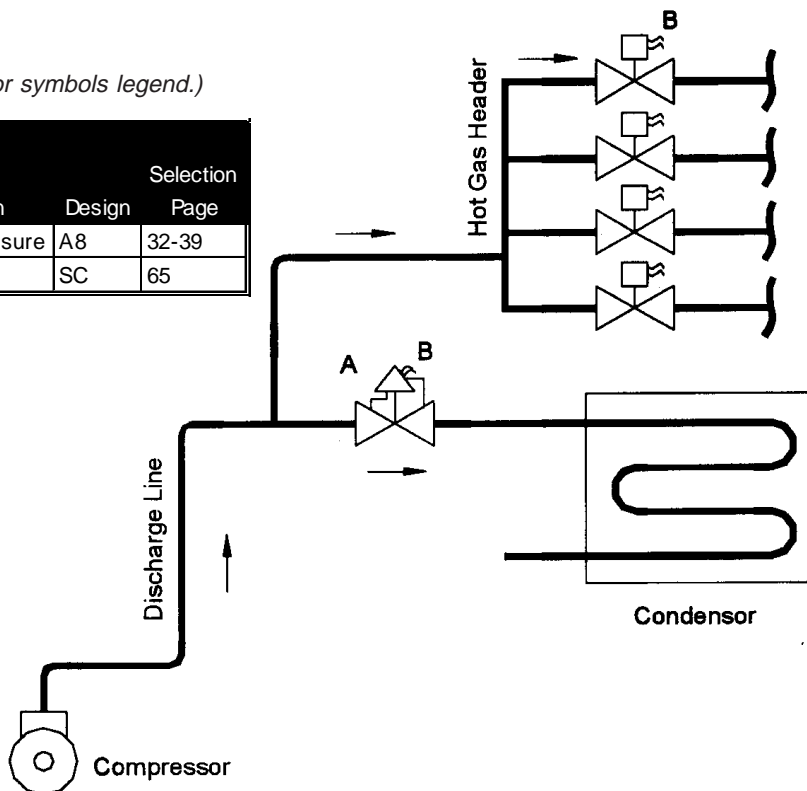
Because each system may vary due to any number of design considerations, the A81BL and A82BL regulators are field adjustable. The regulator can therefore be adjusted to determine the most efficient set point while ensuring that each evaporator defrosts in a timely and thorough manner.

For larger systems that exceed the capacity of the A8 regulator line, Refrigerating Specialties offers a higher capacity flanged valve for discharge applications, the A4AB or A4ABL.

For sizing, please see "Discharge Capacities" on pages 22 and 23.

**Figure 5 - Discharge regulator for supermarket applications.** (See page 72 for symbols legend.)

Valve Legend				
Label	Valve Function	Application	Design	Selection Page
A	Inlet Pressure Regulator	Discharge Pressure	A8	32-39
B	Solenoid Valve	Liquid Feed	SC	65



# Crankcase Pressure Regulators

Crankcase pressure regulators, also known as “CPRs” or “holdback” regulators, are outlet pressure regulators installed in the suction line which prevent an excessive downstream pressure regardless of fluctuations in load or inlet conditions. R/S types A8AOE, A810E, and A82OE comprise the line of commercial outlet pressure regulators that can be applied as crankcase pressure regulators.

When system conditions occur that allow suction pressures to increase appreciably above normal operating levels, a crankcase regulator should be applied. Without a downstream regulator, which effectively throttles down the suction pressure to the compressor, a compressor motor overload condition can occur. Such conditions are likely during pull down

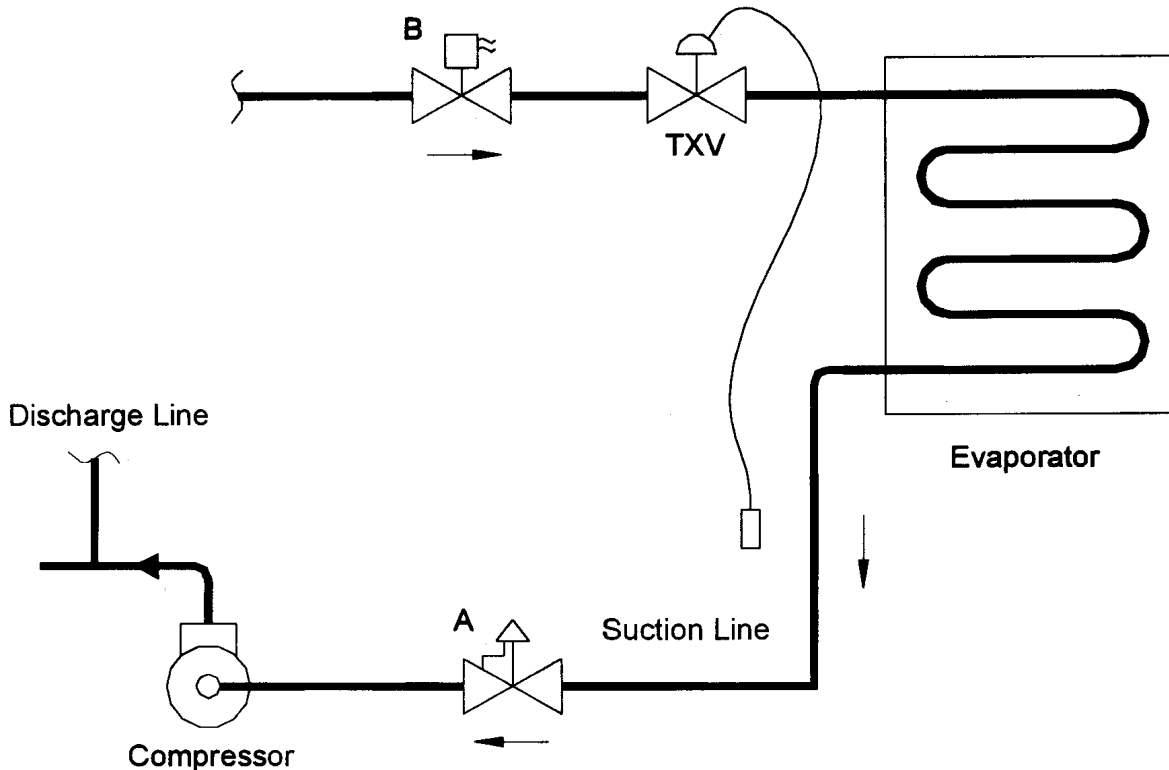
after a hot gas defrost period, or during system start-up. An A8-OE outlet regulator will gradually close when the downstream pressure begins to rise above the valve’s set point, and will gradually open when the outlet pressure falls below its set point, effectively preventing the compressor suction pressure from exceeding the regulator’s set point.

No crankcase regulator can maintain its set for pressure if branch lines feed into the main suction line downstream of the regulator. For that reason, it is important that no lines feed into the suction line between the regulator and the compressor.

(For sizing, please reference suction capacity charts for A8 regulators on pages 8 through 15.)

*Figure 6 - Crankcase pressure regulator application. (See page 72 for symbol legend)*

Valve Legend				
Label	Valve Function	Application	Design	Selection Page
A	Outlet Pressure Regulator	Crankcase Pressure	A8_OE	8-15
B	Solenoid Valve	Liquid Feed	SC	65



# SC Suction Solenoid Valves

## Features

- Highest capacity non-flanged valve in the industry.
- Available with 208V/240V/60Hz wide range voltage coil.
- Low pressure drop, internally pilot operated.
- All stainless steel bolts, stem, piston and plug.
- Manual opening stem.
- Sweat in place without disassembly.
- Molded class "F" coil construction.
- DIN coil assemblies available.
- Interchangeable capacity cartridges. Same as those used on (S)PORT EPRs.



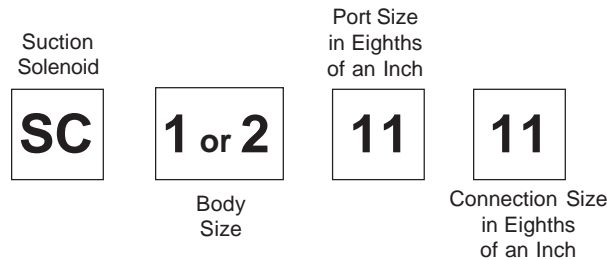
## Specifications

- Design pressure (M.R.P.): 450 psig (31.0 bar).
- Maximum opening pressure differential (MOPD): 300 psig (20.7 bar). (Except 208/240V/60Hz wide voltage range coil).
- Minimal fluid temperature: -40° F (-40° C).
- UL listed (except 50Hz), file SA5473.
- CSA certified, file LR20991-14.

## Standard Voltages

- 120V/60Hz, 110V/50Hz
- 208V/240V/60Hz, 220V/50Hz
- 240V/50Hz
- 240V/60Hz, 220V/50Hz (DIN)
- 240V/50Hz (DIN)

## Valve Nomenclature



## SC Port/Connection Size Combinations\*

Type	Port Size	Connection Sizes Available
SC1	03 (3/8", 9mm)	07, 09, 11,13, 17 (7/8"/22mm, 1-1/8"/28mm, 1-3/8"/35mm, 1-5-8"/42mm, 2-1/8"/54mm)
	05 (5/8" 15mm)	07, 09, 11,13, 17 (7/8"/22mm, 1-1/8"/28mm, 1-3/8"/35mm, 1-5-8"/42mm, 2-1/8"/54mm)
	or	07 (7/8", 22mm)
	09 (1-1/8", 28mm)	07, 09, 11,13, 17 (7/8"/22mm, 1-1/8"/28mm, 1-3/8"/35mm, 1-5-8"/42mm, 2-1/8"/54mm)
SC-II	11 (1-3/8", 35mm)	09, 11,13, 17 (1-1/8"/28mm, 1-3/8"/35mm, 1-5-8"/42mm, 2-1/8"/54mm)
SC2	13 (1-5/8", 42mm)	13, 17, 21 (1-5/8" /42mm, 2-1/8" /54mm, 2-5/8" /66mm)
	17 (2-1/8", 54mm)	17, 21 (2-1/8" /54mm, 2-5/8" /66mm)
	21 (2-5/8", 66mm)	21 (2-5/8", 66mm)

*\*(NOTE: Completely corrosion resistant SC-II solenoids with aluminum bronze bodies and cartridge assemblies have same port/connection combinations as standard SC solenoids, but are not available in the 13, 17, or 21 port size versions).*

**Description:** The SC series of commercial solenoids was developed as a flexible, low pressure drop, suction line solenoid valve, in a wide range of port and connection sizes. With cartridge (port) sizes available up to 2-5/8" (66mm) in size, SC solenoids offer the greatest capacity of any non-flanged commercial solenoid in the industry. The unique design of the SC solenoid is a mirror image of the (S)PORT regulator line, utilizing the same cartridges, solenoid coil assemblies, bodies, and

internal parts as those used in the construction of the (S)PORT regulators. With this flexible line of suction line solenoids complementing the complete line of (S)PORT regulators, a wide range of high capacity, suction line refrigeration control valves are now available from a single source.

Along with (S)PORT regulators, SC solenoids are manufactured with ductile iron bodied valves with brazed



copper couplings, and are suitable for most common commercial refrigerants along with certain oils. The SC solenoid may be opened by means of a manual opening stem for servicing or in case of an electrical power failure.

The SC-II series of valves are manufactured with completely corrosion resistant materials including aluminum bronze bodies and cartridge assemblies, and stainless steel adapter bolts. Cartridges, and solenoids are interchangeable with the (S)PORT-II regulator line.

**Variations:** SC1/ SC-II Solenoids: Five port sizes, from 3/8" (9mm) through 1-3/8" (35mm). SC2 Solenoid: three port sizes, from 1-5/8" (42mm) through 2-5/8" (66mm).

**Installation:** SC solenoid valves can be mounted either in a vertical or horizontal line with the refrigerant flow in the direction of the arrow on the body. These valves may be soldered into the line without disassembly. When brazing in line, typically a wet cloth wrapped around the valve body is recommended to dissipate heat. **If a valve is disassembled prior to installation, always have the correct gasket/ O-ring kit available**

**for reassembly.** The internal cartridge-to-body O-ring will need to be replaced prior to reassembly.

**Electrical:** SC commercial solenoid valves utilize a molded water resistant Class "F" solenoid coil with an open frame coil housing that meets NEMA 3R and 4 requirements. A class "H" DIN coil is also available with certain voltages. Power consumption during normal operation will be 10.2 watts or less.

All coils except for the 208/240V/60Hz version operate with a 300 psi (20.7 bar) maximum opening pressure differential (MOPD). The 208/240V/60Hz coil operates with a 280 psi (19.3 bar) MOPD.

All coils are designed to operate with a line voltage from 85% to 110% of rated coil voltage. Operating with a line voltage above or below these limits may result in coil burn out.

**Ordering Guide:** Specify valve type (SC1, SC-II or SC2), port and connection size, coil voltage, and frequency.

**NOTE:** For SC valve suction capacity tables, please reference pages 8-15 of this catalog.

### SC1 / SC2 Liquid Capacities in Evaporator Tons

Based on 100° F Condensing, 40° F Evaporator and no flashing through the valve for the pressure drop listed.

Port Size	R22 2 psi pr drop	R22 4 psi pr drop	R134a 2 psi pr drop	R134a 4 psi pr drop	R404A 2 psi pr drop	R404A 4 psi pr drop	R507 2 psi pr drop	R507 4 psi pr drop
03 (3/8")	6	9	6	9	4	6	4	6
05 (5/8")	14	20	13	19	9	12	9	13
07 (7/8")	22	31	21	29	14	19	14	20
09 (1-1/8")	35	50	33	47	22	31	23	32
11 (1-3/8")	49	69	46	65	30	43	32	45
13 (1-5/8")	78	110	73	104	48	68	50	71
17 (2-1/8")	117	165	110	156	72	102	76	107
21 (2-5/8")	156	220	147	207	96	136	101	143

### SC1 / SC2 Liquid Capacities in Evaporator Kilowatts

Based on 37.7° C Condensing, 4.4° C Evaporator and no flashing through the valve for the pressure drop listed.

Port Size	R22 0.14 bar pr drop	R22 0.27 bar pr drop	R134a 0.14 bar pr drop	R134a 0.27 bar pr drop	R404A 0.14 bar pr drop	R404A 0.27 bar pr drop	R507 0.14 bar pr drop	R507 0.27 bar pr drop
03 (9mm)	23	32	21	30	14	20	15	21
05 (15mm)	50	71	47	67	31	44	32	46
07 (22mm)	78	110	73	103	48	68	50	71
09 (28mm)	123	174	116	164	76	107	80	113
11 (35mm)	172	243	162	229	106	150	111	157
13 (42mm)	274	387	258	365	169	239	177	251
17 (54mm)	411	581	387	547	253	358	266	376
21 (66mm)	548	775	516	729	338	477	354	501

# S81 / S82 Solenoid Valves

## Features

- Highest capacity non-flanged solenoid valve in the industry.
- Low pressure drop.
- Manual opening stem.
- Sweat in place without disassembly.
- Molded class "H" coil construction.
- DIN coil assemblies available.
- Inlet pressure access fitting.
- Interchangeable capacity cartridges.



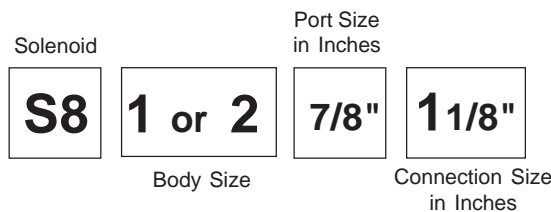
## Specifications

- Maximum opening pressure differential (MOPD): 300 psig (20.7 bar).
- Minimum fluid temperature: -40° F (-40° C).
- Design pressure (M.R.P.): 450 psig (31.0 bar).
- UL listed, file SA5473.
- CSA certified, file LR20991-14.

## Standard Voltages

- 120V/60Hz, 110V/50Hz
- 240V/60Hz, 220V/50Hz
- 208V/60Hz
- 240V/60Hz, 220V/50Hz (DIN)
- 240V/50Hz (DIN)

## Valve Nomenclature



## S8 Port/Connection Size Combinations

Valve Type	Port Size	Available Connection Sizes
S81	3/8" (9mm)	7/8", 1-1/8", 1-3/8" (22mm, 28mm, 35mm)
S81	5/8" (15mm)	7/8", 1-1/8", 1-3/8" (22mm, 28mm, 35mm)
S81	7/8" (22mm)	7/8", 1-1/8", 1-3/8" (22mm, 28mm, 35mm)
S81	1-1/8" (28mm)	1-1/8", 1-3/8", 1-5/8" (28mm, 35mm, 42mm)
S81	1-3/8" (35mm)	1-3/8", 1-5/8", 2-1/8" (35mm, 42mm, 54mm)
S82	1-5/8" (42mm)	1-5/8", 2-1/8", 2-5/8" (42mm, 54mm, 66mm)
S82	2-1/8" (54mm)	2-1/8", 2-5/8" (54mm, 66mm)
S82	2-5/8" (66mm)	2-5/8" (66mm)

**Description:** The S8 series of commercial solenoids was developed as a versatile, general purpose, commercial refrigeration valve, capable of being applied in most liquid, hot gas, or suction applications. With cartridge (port) sizes available up to 2-5/8" (66mm) in size, S8 solenoids offer the greatest capacity of any non-flanged commercial solenoid in the industry. The unique design of the S8 solenoid is a mirror image of

the A8 regulator line, utilizing the same cartridges, solenoid coil assemblies, bodies, and internal parts as those used in the construction of the A8's. With this flexible line of commercial solenoids complementing the complete line of commercial A8 regulators, a wide offering of high capacity commercial refrigeration control valves are now available from a single source.

Similar to the A8 regulators, S8 solenoids are manufactured with ductile iron bodies with brazed copper couplings, and are suitable for most common commercial refrigerants along with certain oils. The S8 solenoid may be opened by means of a manual opening stem for servicing or in case of an electrical power failure.

**Variations:** S81 Solenoid: Five port sizes, from 3/8" (9mm) through 1-3/8". S82 Solenoid: Three port sizes, from 1-5/8" through 2-5/8".

**Installation:** S8 solenoid valves can be mounted either in a vertical or horizontal line with the refrigerant flow in the direction of the arrow on the body. These valves may be soldered into the line without disassembly. A wet cloth should be wrapped around the valve and the soldering flame should be directed away from the valve body.

If a valve is disassembled prior to installation, always have the correct gasket/O-ring kit available for reassembly. The internal cartridge-to-body O-ring will need to be replaced prior to reassembly.

**Electrical:** S8 commercial solenoid valves utilize a molded water resistant Class "H" solenoid coil with a general purpose coil housing which meets NEMA 3R and 4 requirements. A class "H" DIN coil is also available with certain voltages. Power consumption during normal operation will be 10.2 watts or less. The coils are designed to operate with a line voltage from 85% to 110% of rated coil voltage. Operating with a line voltage above or below these limits may result in coil burn out.

**Ordering Guide:** Specify valve type (S81 or S82), port and connection size, and coil voltage and frequency.

**NOTE:** For S81 / S82 valve suction capacity tables, please reference pages 8-15 of this catalog.

## S81 / S82 Liquid Capacities in Evaporator Tons

Based on 100° F Condensing, 40° F Evaporator and no flashing through the valve for the pressure drop listed.

Port Size	R22 2 psi pr drop	R22 4 psi pr drop	R134a 2 psi pr drop	R134a 4 psi pr drop	R404a 2 psi pr drop	R404a 4 psi pr drop	R507 2 psi pr drop	R507 4 psi pr drop
3/8"	6	9	6	9	4	6	4	6
5/8"	14	20	13	19	9	12	9	13
7/8"	22	31	21	29	14	19	14	20
1-1/8"	35	50	33	47	22	31	23	32
1-3/8"	49	69	46	65	30	43	32	45
1-5/8"	78	110	73	104	48	68	50	71
2-1/8"	117	165	110	156	72	102	76	107
2-5/8"	156	220	147	207	96	136	101	143

## S81 / S82 Liquid Capacities in Evaporator Kilowatts

Based on 37.7° C Condensing, 4.4° C Evaporator and no flashing through the valve for the pressure drop listed.

Port Size	R22 0.14 bar pr drop	R22 0.27 bar pr drop	R134a 0.14 bar pr drop	R134a 0.27 bar pr drop	R404a 0.14 bar pr drop	R404a 0.27 bar pr drop	R507 0.14 bar pr drop	R507 0.27 bar pr drop
9mm	23	32	21	30	14	20	15	21
15mm	50	71	47	67	31	44	32	46
22mm	78	110	73	103	48	68	50	71
28mm	123	174	116	164	76	107	80	113
35mm	172	243	162	229	106	150	111	157
42mm	274	387	258	365	169	239	177	251
54mm	411	581	387	547	253	358	266	376
66mm	548	775	516	729	338	477	354	501

# Temperature Pressure Chart - PSIG

Temp		MP 39 R-401A		HP 80 R-402A		HP 62 R-404A	FX 10 R-408A	FX 56 R-409A		AZ 20 R-410A
°F	°C	Liquid	Vapor	Liquid	Vapor	Liquid	Liquid	Liquid	Vapor	
-50	-45.6	-	-	-	-	0.6	1.6	12.4	17.2	5.0
-45	-42.8	-	-	-	-	2.7	1.1	9.7	15.2	7.0
-40	-40.0	<b>8.1</b>	<b>13.2</b>	6.8	6.3	5.0	3.3	6.8	13.1	11.6
-35	-37.2	<b>5.1</b>	<b>10.7</b>	9.6	9.1	7.6	5.6	3.5	10.7	14.9
-30	-34.4	<b>1.7</b>	<b>7.9</b>	12.6	12.1	10.4	8.2	0.0	8.1	18.5
-25	-31.7	1.0	<b>4.8</b>	16.0	15.4	13.4	11.0	2.0	5.1	22.5
-20	-28.9	3.0	<b>1.4</b>	19.6	18.9	16.8	14.1	4.1	1.9	26.9
-15	-26.1	5.2	1.2	23.6	22.9	20.5	17.5	6.5	0.8	31.6
-10	-23.3	7.7	3.3	27.9	27.1	24.5	21.2	9.0	2.8	36.8
-5	-20.6	10.3	5.5	32.6	31.7	28.8	25.2	11.8	4.9	42.5
0	-17.8	13.2	8.0	37.6	36.7	33.5	29.5	14.8	7.2	48.6
5	-15.0	16.3	10.7	43.1	42.1	38.6	34.2	18.1	9.7	55.2
10	-12.2	19.7	13.7	49.0	48.0	44.0	39.3	21.7	12.5	62.3
15	-9.4	23.4	16.9	55.3	54.2	49.9	44.8	25.5	15.4	70.0
20	-6.7	27.4	20.4	62.1	60.9	56.2	50.7	29.6	18.7	78.3
25	-3.9	31.7	24.2	69.3	68.1	63.0	57.0	34.0	22.2	87.2
30	-1.1	36.4	28.3	77.1	75.8	70.3	63.7	38.7	26.0	96.8
35	1.7	41.3	32.8	85.4	84.0	78.1	71.0	43.8	30.1	107.0
40	4.4	46.6	37.6	94.2	92.8	86.4	78.7	49.2	34.5	118.0
45	7.2	52.4	42.7	104.0	102.0	95.2	87.0	54.9	39.2	130.0
50	10.0	58.5	48.2	114.0	112.0	104.7	95.8	61.0	44.3	142.0
55	12.8	65.0	54.1	124.0	123.0	114.7	105.1	67.6	49.8	156.0
60	15.6	71.9	60.4	136.0	134.0	125.3	115.1	74.5	55.6	170.0
65	18.3	79.3	67.2	147.0	146.0	136.6	125.6	81.8	61.9	185.0
70	21.1	87.1	74.4	160.0	158.0	148.6	136.8	89.5	68.6	201.0
75	23.9	95.4	82.1	173.0	171.0	161.2	148.7	97.7	75.8	217.0
80	26.7	104.0	90.2	187.0	185.0	174.6	161.2	106.4	83.4	235.0
85	29.4	114.0	98.9	202.0	200.0	188.8	174.4	115.5	91.5	254.0
90	32.2	123.0	108.0	218.0	215.0	203.7	188.4	125.2	100.2	274.0
95	35.0	134.0	118.0	233.0	232.0	219.4	203.1	135.3	109.4	295.0
100	37.8	145.0	128.0	251.0	249.0	235.9	218.7	146.0	119.2	317.0
105	40.6	156.0	139.0	269.0	267.0	253.4	235.0	157.2	129.6	341.0
110	43.3	169.0	151.0	288.0	286.0	271.7	252.1	169.0	140.6	365.0
115	46.1	181.0	163.0	308.0	305.0	290.9	270.2	181.4	152.3	391.0
120	48.9	195.0	176.0	328.0	326.0	311.1	289.1	194.4	164.7	418.0
125	51.7	209.0	189.0	350.0	347.0	332.3	308.9	208.0	177.8	446.0
130	54.4	224.0	203.0	372.0	370.0	354.5	329.7	222.3	191.6	476.0
135	57.2	239.0	218.0	396.0	393.0	377.8	351.5	237.2	206.3	507.0
140	60.0	255.0	234.0	420.0	418.0	402.2	374.3	252.9	221.8	539.0
145	62.8	272.0	250.0	446.0	443.0	427.7	398.1	269.3	238.2	573.0
150	65.6	299.0	267.0	472.0	470.0	454.4	423.0	293.0	286.4	608.0

Pressures shown in psig

*Italics = inches Hg. Below 1 ATM*

# Temperature Pressure Chart - PSIG

Temp		R-12	R-22	R-123	R-134a	R-502	AZ-50 R-507
°F	°C						
-50	-45.6	<i>15.4</i>	<i>6.2</i>	<i>29.2</i>	<i>18.4</i>	<i>0.2</i>	1.0
-45	-42.8	<i>13.3</i>	<i>2.7</i>	<i>29.0</i>	<i>16.6</i>	1.9	3.0
-40	-40.0	<i>11.0</i>	0.5	<i>28.9</i>	<i>14.7</i>	4.1	5.5
-35	-37.2	<i>8.4</i>	2.6	<i>28.7</i>	<i>12.3</i>	6.5	8.2
-30	-34.4	<i>5.5</i>	4.9	<i>28.4</i>	<i>9.7</i>	9.2	11.1
-25	-31.7	<i>2.3</i>	7.4	<i>28.1</i>	<i>6.8</i>	12.1	14.3
-20	-28.9	0.6	10.1	<i>27.8</i>	<i>3.6</i>	15.3	17.8
-15	-26.1	2.4	13.2	<i>27.4</i>	<i>0.1</i>	18.8	21.7
-10	-23.3	4.5	16.4	27.0	2.0	22.6	25.8
-5	-20.6	6.7	20.0	26.5	4.1	26.6	30.3
0	-17.8	9.1	24.0	25.9	6.5	31.1	35.2
5	-15.0	11.8	28.2	25.3	9.1	35.9	40.5
10	-12.2	14.6	32.7	24.6	11.9	41.0	46.1
15	-9.4	17.7	37.7	23.7	15.1	46.5	52.2
20	-6.7	21.0	43.0	22.8	18.4	52.5	58.8
25	-3.9	24.6	48.7	21.8	22.1	58.8	65.8
30	-1.1	28.4	54.9	20.7	26.1	65.6	73.3
35	1.7	32.5	61.4	19.5	30.4	72.8	81.3
40	4.4	36.9	68.5	18.1	35.1	80.5	89.8
45	7.2	41.6	76.0	16.6	40.0	88.7	98.9
50	10.0	46.7	84.0	15.0	45.4	97.4	109.0
55	12.8	52.0	92.5	13.1	51.2	107.0	119.0
60	15.6	57.7	101.6	11.2	57.4	116.4	130.0
65	18.3	63.7	111.0	9.0	64.0	127.0	141.0
70	21.1	70.1	121.4	6.6	71.1	138.0	154.0
75	23.9	76.9	132.0	4.0	78.6	149.0	167.0
80	26.7	84.1	144.0	1.2	86.7	161.0	180.0
85	29.4	91.7	156.0	0.9	95.1	174.0	195.0
90	32.2	99.7	168.4	2.5	104.2	187.4	210.0
95	35.0	108.0	182.0	4.2	113.8	201.0	226.0
100	37.8	117.0	196.0	6.1	124.1	216.2	244.0
105	40.6	127.0	211.0	8.1	134.9	232.0	252.0
110	43.3	136.0	226.4	10.3	146.3	247.9	281.0
115	46.1	147.0	243.0	12.6	158.4	265.0	301.0
120	48.9	158.0	260.0	15.1	171.1	282.7	322.0
125	51.7	169.0	278.4	17.7	184.5	301.0	344.0
130	54.4	181.0	296.8	20.6	198.7	320.8	368.0
135	57.2	193.0	317.0	23.6	213.6	341.0	393.0
140	60.0	207.0	337.3	26.8	229.3	362.6	419.0
145	62.8	220.0	359.0	30.2	245.7	385.0	446.0
150	65.6	235.0	381.0	33.8	263.0	408.4	475.0

Black figures = psig

*Italics = inches Hg. Below 1 ATM*

## Temperature Pressure Chart - Bar

Temp		MP 39 R-401A		HP 80 R-402A		HP 62 R-404A	FX 10 R-408A	FX 56 R-409A		AZ 20 R-410A
°F	°C	Liquid	Vapor	Liquid	Vapor	Liquid	Liquid	Liquid	Vapor	
-50	-45.6	-	-	-	-	0.0	0.1	0.9	1.2	0.3
-45	-42.8	-	-	-	-	0.2	0.1	0.7	1.0	0.5
-40	-40.0	<b>205.7</b>	<b>335.3</b>	0.5	0.4	0.3	0.2	0.5	0.9	0.8
-35	-37.2	<b>129.5</b>	<b>271.8</b>	0.7	0.6	0.5	0.4	0.2	0.7	1.0
-30	-34.4	<b>43.2</b>	<b>200.7</b>	0.9	0.8	0.7	0.6	0.0	0.6	1.3
-25	-31.7	0.1	<b>121.9</b>	1.1	1.1	0.9	0.8	0.1	0.4	1.6
-20	-28.9	0.2	<b>35.6</b>	1.4	1.3	1.2	1.0	0.3	0.1	1.9
-15	-26.1	0.4	0.1	1.6	1.6	1.4	1.2	0.4	0.1	2.2
-10	-23.3	0.5	0.2	1.9	1.9	1.7	1.5	0.6	0.2	2.5
-5	-20.6	0.7	0.4	2.2	2.2	2.0	1.7	0.8	0.3	2.9
0	-17.8	0.9	0.6	2.6	2.5	2.3	2.0	1.0	0.5	3.4
5	-15.0	1.1	0.7	3.0	2.9	2.7	2.4	1.2	0.7	3.8
10	-12.2	1.4	0.9	3.4	3.3	3.0	2.7	1.5	0.9	4.3
15	-9.4	1.6	1.2	3.8	3.7	3.4	3.1	1.8	1.1	4.8
20	-6.7	1.9	1.4	4.3	4.2	3.9	3.5	2.0	1.3	5.4
25	-3.9	2.2	1.7	4.8	4.7	4.3	3.9	2.3	1.5	6.0
30	-1.1	2.5	2.0	5.3	5.2	4.8	4.4	2.7	1.8	6.7
35	1.7	2.8	2.3	5.9	5.8	5.4	4.9	3.0	2.1	7.4
40	4.4	3.2	2.6	6.5	6.4	6.0	5.4	3.4	2.4	8.1
45	7.2	3.6	2.9	7.2	7.0	6.6	6.0	3.8	2.7	9.0
50	10.0	4.0	3.3	7.9	7.7	7.2	6.6	4.2	3.1	9.8
55	12.8	4.5	3.7	8.6	8.5	7.9	7.2	4.7	3.4	10.8
60	15.6	5.0	4.2	9.4	9.2	8.6	7.9	5.1	3.8	11.7
65	18.3	5.5	4.6	10.1	10.1	9.4	8.7	5.6	4.3	12.8
70	21.1	6.0	5.1	11.0	10.9	10.2	9.4	6.2	4.7	13.9
75	23.9	6.6	5.7	11.9	11.8	11.1	10.3	6.7	5.2	15.0
80	26.7	7.2	6.2	12.9	12.8	12.0	11.1	7.3	5.8	16.2
85	29.4	7.9	6.8	13.9	13.8	13.0	12.0	8.0	6.3	17.5
90	32.2	8.5	7.4	15.0	14.8	14.0	13.0	8.6	6.9	18.9
95	35.0	9.2	8.1	16.1	16.0	15.1	14.0	9.3	7.5	20.3
100	37.8	10.0	8.8	17.3	17.2	16.3	15.1	10.1	8.2	21.9
105	40.6	10.8	9.6	18.6	18.4	17.5	16.2	10.8	8.9	23.5
110	43.3	11.7	10.4	19.9	19.7	18.7	17.4	11.7	9.7	25.2
115	46.1	12.5	11.2	21.2	21.0	20.1	18.6	12.5	10.5	27.0
120	48.9	13.4	12.1	22.5	22.5	21.5	19.9	13.4	11.4	28.8
125	51.7	14.4	13.0	24.1	23.9	22.9	21.3	14.3	12.3	30.8
130	54.4	15.4	14.0	25.7	25.5	24.4	22.7	15.3	13.2	32.8
135	57.2	16.5	15.0	27.3	27.1	26.1	24.2	16.4	14.2	35.0
140	60.0	17.6	16.1	29.0	28.8	27.7	25.8	17.4	15.3	37.2
145	62.8	18.8	17.2	30.8	30.6	29.5	27.5	18.6	16.4	39.5
150	65.6	20.6	18.4	32.6	32.4	31.3	29.2	20.2	19.8	41.9

### Temperature Pressure Chart - Bar

Temp		R-12	R-22	R-123	R-134a	R-502	AZ-50 R-507
°F	°C						
-50	-45.6	<b>391.2</b>	<b>157.5</b>	<b>741.7</b>	<b>467.4</b>	<b>5.1</b>	0.1
-45	-42.8	<b>337.8</b>	<b>68.6</b>	<b>736.6</b>	<b>421.6</b>	0.1	0.2
-40	-40.0	<b>279.4</b>	0.0	<b>734.1</b>	<b>373.4</b>	0.3	0.4
-35	-37.2	<b>213.4</b>	0.2	<b>729.0</b>	<b>312.4</b>	0.4	0.6
-30	-34.4	<b>139.7</b>	0.3	<b>721.4</b>	<b>246.4</b>	0.6	0.8
-25	-31.7	<b>58.7</b>	0.5	<b>713.7</b>	<b>172.7</b>	0.8	1.0
-20	-28.9	0.0	0.7	<b>706.1</b>	<b>91.4</b>	1.1	1.2
-15	-26.1	0.2	0.9	<b>696.0</b>	<b>2.5</b>	1.3	1.5
-10	-23.3	0.3	1.1	1.9	0.1	1.6	1.8
-5	-20.6	0.5	1.4	1.8	0.3	1.8	2.1
0	-17.8	0.6	1.7	1.8	0.4	2.1	2.4
5	-15.0	0.8	1.9	1.7	0.6	2.5	2.8
10	-12.2	1.0	2.3	1.7	0.8	2.8	3.2
15	-9.4	1.2	2.6	1.6	1.0	3.2	3.6
20	-6.7	1.4	3.0	1.6	1.3	3.6	4.1
25	-3.9	1.7	3.4	1.5	1.5	4.1	4.5
30	-1.1	2.0	3.8	1.4	1.8	4.5	5.1
35	1.7	2.2	4.2	1.3	2.1	5.0	5.6
40	4.4	2.5	4.7	1.2	2.4	5.6	6.2
45	7.2	2.9	5.2	1.1	2.8	6.1	6.8
50	10.0	3.2	5.8	1.0	3.1	6.7	7.5
55	12.8	3.6	6.4	0.9	3.5	7.4	8.2
60	15.6	4.0	7.0	0.8	4.0	8.0	9.0
65	18.3	4.4	7.7	0.6	4.4	8.8	9.7
70	21.1	4.8	8.4	0.5	4.9	9.5	10.6
75	23.9	5.3	9.1	0.3	5.4	10.3	11.5
80	26.7	5.8	9.9	0.1	6.0	11.1	12.4
85	29.4	6.3	10.8	0.1	6.6	12.0	13.4
90	32.2	6.9	11.6	0.2	7.2	12.9	14.5
95	35.0	7.4	12.6	0.3	7.8	13.9	15.6
100	37.8	8.1	13.5	0.4	8.6	14.9	16.8
105	40.6	8.8	14.6	0.6	9.3	16.0	17.4
110	43.3	9.4	15.6	0.7	10.1	17.1	19.4
115	46.1	10.1	16.8	0.9	10.9	18.3	20.8
120	48.9	10.9	17.9	1.0	11.8	19.5	22.2
125	51.7	11.7	19.2	1.2	12.7	20.8	23.7
130	54.4	12.5	20.5	1.4	13.7	22.1	25.4
135	57.2	13.3	21.9	1.6	14.7	23.5	27.1
140	60.0	14.3	23.3	1.8	15.8	25.0	28.9
145	62.8	15.2	24.8	2.1	16.9	26.6	30.8
150	65.6	16.2	26.3	2.3	18.1	28.2	32.8

Black figures = bar

*Italics = millimeters Hg. Below 1 ATM*

# Abbreviations and Terminology







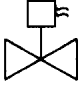

## Abbreviations

A (Amp)	Ampere
BTU/hr	British Thermal Units per Hour
BTU/min.	British Thermal Units per Minute
°C	Degrees Celsius or Centigrade
cm <sup>2</sup> (sq. cm)	Square centimeters
CPR	Crankcase Pressure Regulator
CSA	Canadian Standards Association
°F	Degrees Fahrenheit
EPR	Evaporator Pressure regulator
ft (')	Feet
in (")	Inches
hg	Mercury
Hz	Hertz (frequency, cycles per second)
ID	Inside diameter
kcal/h	Kilocalories per hour
kg	Kilogram
kg/cm <sup>2</sup>	Kilogram per square centimeter
kw	Kilowatts
lbs	Pounds
lbs/min	Pounds per minute
m	Meter
m <sup>3</sup> /h	Cubic meters per hour
mm	Millimeter
mm hg	Millimeters mercury equivalent vacuum
MOPD	Maximum Opening Pressure Differential
NEMA	National Electrical Manufacturers Association
NPT	National Pipe Thread
OD	Outside Diameter
ODS	Outside Diameter Sweat or tubing O.D., which can be soldered into fitting
psi	Pounds per square inch
psig	Pounds per square inch gauge
sq. cm (cm <sup>2</sup> )	Square centimeters
SWP	Safe Working Pressure
TXV	Thermostatic Expansion Valve
UL	Underwriters Laboratories, Inc.
V	Volts

## Explanation of Terminology

1. Design pressure (SWP): The maximum allowable working pressure for which a valve or regulator is designed.
2. Evaporator temperature: Saturated temperature in the evaporator.
3. Maximum fluid temperature: The highest normally allowable internal temperature for a particular valve.
4. Maximum Opening Pressure Differential: The maximum difference between the pressure at the valve inlet and the pressure at the valve outlet at which a solenoid will open consistently (MOPD).
5. Minimum fluid temperature: The lowest normally allowable internal temperature for a particular valve assuming a clean, oil-free fluid and the absence of thermal or pressure shock.
6. Net weight: The weight of a particular valve. Does not include shipping cartons.
7. Pressure drop: The pressure difference between the pressure at the valve inlet and the pressure at the valve outlet.
8. Shock: A sudden, violent increase in pressure; can be caused by a rapid change in temperature, pressure, velocity, or direction.
9. Valve or regulator capacity: All capacities are maximum for the conditions listed at each table. No "reserve capacity" is included in this catalog.
10. Conversions to metric:  
 1 ton = 200 BTU/min  
 1 ton = 3024kcal/hr  
 1 kw = .2844 ton  
 1 kw = 56.89 BTU/min  
 1 kw = 860 kcal/hr  
 1 bar = 1.0197 kg/cm<sup>2</sup>  
 1 bar = 14.5 psi  
 1 ATM = .98 bar = 14.7 psi

## Control Valve Symbols and Functions

							
INLET PRESSURE REGULATOR - (Opens on a rise in inlet pressure. Closes when inlet pressure is below set-point).	OUTLET PRESSURE REGULATOR - (Opens on a drop in outlet pressure. Closes when outlet pressure is above set-point).	DIFFERENTIAL PRESSURE REGULATOR - (Opens on a rise in pressure difference. Closes when pressure difference is below set-point.)	INLET PRESSURE REGULATOR w/ ELECTRIC SHUT-OFF - (Opens on a rise in inlet pressure when energized. Closes when inlet pressure is below set-point or when de-energized.)	INLET PRESSURE REGULATOR w/ ELECTRIC BYPASS - (Opens on a rise in inlet pressure when de-energized. Wide open when energized.)	INLET PRESSURE REGULATOR w/ ELECTRIC SHUT-OFF and ELECTRIC BYPASS - (Opens on a rise in inlet pressure when "S" solenoid energized.) Wide open with "B" solenoid energized. Closes with both solenoids de-energized.)	SOLENOID VALVE - (Opens when energized; closes when de-energized.)	CHECK VALVE - (Permits flow in only one direction).





The items described in this document and other documents or descriptions provided by Parker Hannifin Corporation, its subsidiaries and its authorized distributors are hereby offered for sale at prices to be established by Parker Hannifin Corporation, its subsidiaries and its authorized distributors. This offer and its acceptance by any customer ("Buyer") shall be governed by all of the following Terms and Conditions. Buyer's order for any such items, when communicated to Parker Hannifin Corporation, its subsidiary or an authorized distributor ("Seller") verbally or in writing, shall constitute acceptance of this offer.

**1. Terms and Conditions of Sale:** All descriptions, quotations, proposals, offers, acknowledgments, acceptances and sales of Seller's products are subject to and shall be governed exclusively by the terms and conditions stated herein. Buyer's acceptance of any offer to sell is limited to these terms and conditions. Any terms or conditions in addition to, or inconsistent with those stated herein, proposed by Buyer in any acceptance of an offer by Seller, are hereby objected to. No such additional, different or inconsistent terms and conditions shall become part of the contract between Buyer and Seller unless expressly accepted in writing by Seller. Seller's acceptance of any offer to purchase by Buyer is expressly conditional upon Buyer's assent to all the terms and conditions stated herein, including any terms in addition to, or inconsistent with those contained in Buyer's offer. Acceptance of Seller's products shall in all events constitute such assent.

**2. Payment:** Payment shall be made by Buyer net 30 days from the date of delivery of the items purchased hereunder. Amounts not timely paid shall bear interest at the maximum rate permitted by law for each month or portion thereof that the Buyer is late in making payment. Any claims by Buyer for omissions or shortages in a shipment shall be waived unless Seller receives notice thereof within 30 days after Buyer's receipt of the shipment.

**3. Delivery:** Unless otherwise provided on the face hereof, delivery shall be made F.O.B. Seller's plant. Regardless of the method of delivery, however, risk of loss shall pass to Buyer upon Seller's delivery to a carrier. Any delivery dates shown are approximate only and Seller shall have no liability for any delays in delivery.

**4. Warranty:** Seller warrants that the items sold hereunder shall be free from defects in material or workmanship for a period of 18 months from date of shipment from Parker Hannifin Corporation. **THIS WARRANTY COMPRISES THE SOLE AND ENTIRE WARRANTY PERTAINING TO ITEMS PROVIDED HEREUNDER. SELLER MAKES NO OTHER WARRANTY, GUARANTEE, OR REPRESENTATION OF ANY KIND WHATSOEVER. ALL OTHER WARRANTIES, INCLUDING BUT NOT LIMITED TO, MERCHANTABILITY AND FITNESS FOR PURPOSE, WHETHER EXPRESS, IMPLIED, OR ARISING BY OPERATION OF LAW, TRADE USAGE, OR COURSE OF DEALING ARE HEREBY DISCLAIMED.**

**NOTWITHSTANDING THE FOREGOING, THERE ARE NO WARRANTIES WHATSOEVER ON ITEMS BUILT OR ACQUIRED WHOLLY OR PARTIALLY, TO BUYER'S DESIGNS OR SPECIFICATIONS.**

**5. Limitation Of Remedy: SELLER'S LIABILITY ARISING FROM OR IN ANY WAY CONNECTED WITH THE ITEMS SOLD OR THIS CONTRACT SHALL BE LIMITED EXCLUSIVELY TO REPAIR OR REPLACEMENT OF THE ITEMS SOLD OR REFUND OF THE PURCHASE PRICE PAID BY BUYER, AT SELLER'S SOLE OPTION. IN NO EVENT SHALL SELLER BE LIABLE FOR ANY INCIDENTAL, CONSEQUENTIAL OR SPECIAL DAMAGES OF ANY KIND OR NATURE WHATSOEVER, INCLUDING BUT NOT LIMITED TO LOST PROFITS ARISING FROM OR IN ANY WAY CONNECTED WITH THIS AGREEMENT OR ITEMS SOLD HEREUNDER, WHETHER ALLEGED TO ARISE FROM BREACH OF CONTRACT, EXPRESS OR IMPLIED WARRANTY, OR IN TORT, INCLUDING WITHOUT LIMITATION, NEGLIGENCE, FAILURE TO WARN OR STRICT LIABILITY.**

**6. Changes, Reschedules and Cancellations:** Buyer may request to modify the designs or specifications for the items sold hereunder as well as the quantities and delivery dates thereof, or may request to cancel all or part of this order, however, no such requested modification or cancellation shall become part of the contract between Buyer and Seller unless accepted by Seller in a written amendment to this Agreement. Acceptance of any such requested modification or cancellation shall be at Seller's discretion, and shall be upon such terms and conditions as Seller may require.

**7. Special Tooling:** A tooling charge may be imposed for any special tooling, including without limitation, dies, fixtures, molds and patterns, acquired to manufacture items sold pursuant to this contract. Such special tooling shall be and remain Seller's property notwithstanding payment of any charges by Buyer. In no event will Buyer acquire any interest in apparatus belonging to Seller which is utilized in the notwithstanding any charges paid by Buyer. Unless otherwise agreed, Seller shall have the right to alter, discard or otherwise dispose of any special tooling or other property in its sole discretion at any time.

**8. Buyer's Property:** Any designs, tools, patterns, materials, drawings, confidential information or equipment furnished by Buyer or any other items which become Buyer's property, may be considered obsolete and may be destroyed by Seller after two (2) consecutive years have elapsed without Buyer placing an order for the items which are manufactured using such property. Seller shall not be responsible for any loss or damage to such property while it is in Seller's possession or control.

**9. Taxes:** Unless otherwise indicated on the face hereof, all prices and charges are exclusive of excise, sales, use, property, occupational or like taxes which may be imposed by any taxing authority upon the manufacture, sale or delivery of the items sold hereunder. If any such taxes must be paid by Seller or if Seller is liable for the collection of such tax, the amount thereof shall be in addition to the amounts for the items sold. Buyer agrees to pay all such taxes or to reimburse Seller therefore upon receipt of its invoice. If Buyer claims exemption from any sales, use or other tax imposed by any taxing authority, Buyer shall save Seller harmless from and against any such tax, together with any interest or penalties thereon which may be assessed if the items are held to be taxable.

**10. Indemnity For Infringement of Intellectual Property Rights:** Seller shall have no liability for infringement of any patents, trademarks, copyrights, trade dress, trade secrets or similar rights except as provided in this Part 10. Seller will defend and indemnify Buyer against allegations of infringement of U.S. Patents, U.S. Trademarks, copyrights, trade dress and trade secrets (hereinafter 'Intellectual Property Rights'). Seller will defend at its expense and will pay the cost of any settlement or damages awarded in an action brought against Buyer based on an allegation that an item sold pursuant to this contract infringes the Intellectual Property Rights of a third party. Seller's obligation to defend and indemnify Buyer is contingent on Buyer notifying Seller within ten (10) days after Buyer becomes aware of such allegations of infringement, and Seller having sole control over the defense of any allegations or actions including all negotiations for settlement or compromise. If an item sold hereunder is subject to a claim that it infringes the Intellectual Property Rights of a third party, Seller may, at its sole expense and option, procure for Buyer the right to continue using said item, replace or modify said item so as to make it noninfringing, or offer to accept return of said item and return the purchase price less a reasonable allowance for depreciation. Notwithstanding the foregoing, Seller shall have no liability for claims of infringement based on information provided by Buyer, or directed to items delivered hereunder for which the designs are specified in whole or part by Buyer, or infringements resulting from the modification, combination or use in a system of any item sold hereunder. The foregoing provisions of this Part 10 shall constitute Seller's sole and exclusive liability and Buyer's sole and exclusive remedy for infringement of Intellectual Property Rights.

If a claim is based on information provided by Buyer or if the design for an item delivered hereunder is specified in whole or in part by Buyer, Buyer shall defend and indemnify Seller for all costs, expenses or judgments resulting from any claim that such item infringes any patent, trademark, copyright, trade dress, trade secret or any similar right.

**11. Force Majeure:** Seller does not assume the risk of and shall not be liable for delay or failure to perform any of Seller's obligations by reason of circumstances beyond the reasonable control of Seller (hereinafter 'Events of Force Majeure'). Events of Force Majeure shall include without limitation, accidents, acts of God, strikes or labor disputes, acts, laws, rules or regulations of any government or government agency, fires, floods, delays or failures in delivery of carriers or suppliers, shortages of materials and any other cause beyond Seller's control.

**12. Entire Agreement/Governing Law:** The terms and conditions set forth herein, together with any amendments, modifications and any different terms or conditions expressly accepted by Seller in writing, shall constitute the entire Agreement concerning the items sold, and there are no oral or other representations or agreements which pertain thereto. This Agreement shall be governed in all respects by the law of the State of Ohio. No actions arising out of the sale of the items sold hereunder or this Agreement may be brought by either party more than two (2) years after the cause of action accrues.

9/91-P

**WARNING** 

FAILURE OR IMPROPER SELECTION OR IMPROPER USE OF THE PRODUCTS AND/OR SYSTEMS DESCRIBED HEREIN OR RELATED ITEMS CAN CAUSE DEATH, PERSONAL INJURY AND PROPERTY DAMAGE.

This document and other information from Parker Hannifin Corporation, its subsidiaries and authorized distributors provide product and/or system options for further investigation by users having technical expertise. It is important that you analyze all aspects of your application and review the information concerning the product or system in the current product catalog. Due to the variety of operating conditions and applications for these products or systems, the user, through its own analysis and testing, is solely responsible for making the final selection of the products and systems and assuring that all performance, safety and warning requirements of the application are met.

The products described herein, including without limitation, product features, specifications, designs, availability and pricing, are subject to change by Parker Hannifin Corporation and its subsidiaries at any time without notice.

Copyright 1999, Parker Hannifin Corporation, All Rights Reserved. The items described in this document are hereby offered for sale by Parker Hannifin Corporation, its subsidiaries or its authorized distributors. This offer and its acceptance are governed by the provisions stated in the "Offer of Sale"







**Parker Hannifin Corporation**  
Climate & Industrial Controls Group  
6035 Parkland Blvd.  
Cleveland, Ohio 44124-4141  
Telephone: (216) 896-3000  
Fax: (216) 896-4008  
Web site: [www.parker.com/cig](http://www.parker.com/cig)

### About Parker's Climate & Industrial Controls Group

The Climate and Industrial Controls Group is one of Parker's eight global operating groups. The Group is a leader in the design, manufacture and sale of system controls and protectors to refrigeration and air-conditioning customers worldwide. The Group also provides a wide variety of industrial controls, including solenoid valves, process control valves, and gerotors, for a multitude of applications.



The Climate Controls Division is a leader in the development, design, manufacture and service of thermostatic expansion valves (TXVs) and refrigerant distributors.



The Refrigeration and Air Conditioning Division designs, manufactures and markets system protectors for mobile and stationary refrigeration and air conditioning applications. Products include filter dryers, receivers, accumulators, mufflers, check valves, and spun copper components.



The Skinner Valve Division designs, produces and markets a full spectrum of refrigeration and general purpose solenoid valves. Brand names include Jackes-Evans, Gold Ring, and Skinner.



The Lucifer Valve Division designs, manufactures and distributes industrial solenoid valves for a variety of applications.



The Sinclair Collins Division is a leading manufacturer and supplier of process control valves for a variety of industrial applications.



The Refrigerating Specialties Division manufactures a comprehensive line of valves and related components for use with both ammonia and halocarbon refrigerants in commercial and industrial refrigeration applications.



The Automotive Connectors Division designs, produces and markets quality air conditioning hose and fittings for automotive, heavy duty truck and off-highway applications worldwide.



The Nichols Portland Division is a world leader in the manufacture of gerotors. These products are used in pumping applications wherever fluid needs to be transferred from one place to another.





**Parker Hannifin Corporation**  
 6035 Parkland Blvd.  
 Cleveland, Ohio 44124-4141  
 Telephone: (216) 896-3000  
 Fax: (216) 896-4000  
 Web site: www.parker.com

## Parker Hannifin Corporation

### About Parker Hannifin Corporation

Parker Hannifin is a leading global motion-control company dedicated to delivering premier customer service. A Fortune 500 corporation listed on the New York Stock Exchange (PH), our components and systems comprise over 1,400 product lines that control motion in some 1,000 industrial and aerospace markets. Parker is the only manufacturer to offer its customers a choice of hydraulic, pneumatic, and electromechanical motion-control solutions. Our Company has the largest distribution network in its field, with over 7,500 distributors serving more than 350,000 customers worldwide.

### Parker's Charter

To be a leading worldwide manufacturer of components and systems for the builders and users of durable goods. More specifically, we will design, market and manufacture products controlling motion, flow and pressure. We will achieve profitable growth through premier customer service.

### Product Information

North American customers seeking product information, the location of a nearby distributor, or repair services will receive prompt attention by calling the Parker Product Information Center at our toll-free number: 1-800-C-PARKER (1-800-272-7537). In the UK, a similar service is available by calling 0500-103-203.

The Aerospace Group is a leader in the development, design, manufacture and servicing of control systems and components for aerospace and related high-technology markets, while achieving growth through premier customer service.



The Climate & Industrial Controls Group designs, manufactures and sells system controls and protectors to refrigeration and air-conditioning customers worldwide. The Group also provides solenoid valves, process control valves, and gerotors for a multitude of industrial applications.

The Fluid Connectors Group designs, manufactures and markets rigid and flexible connectors, and associated products used in pneumatic and fluid systems.



The Seal Group designs, manufactures and distributes industrial and commercial sealing devices and related products by providing superior quality and total customer satisfaction.

The Hydraulics Group designs, produces and markets a full spectrum of hydraulic components and systems to builders and users of industrial and mobile machinery and equipment.



The Filtration Group designs, manufactures and markets quality filtration and clarification products, providing customers with the best value, quality, technical support, and global availability.

The Automation Group is a leading supplier of pneumatic and electromechanical components and systems to automation customers worldwide.



The Instrumentation Group is a global leader in the design, manufacture and distribution of high-quality critical flow components for worldwide process instrumentation, ultra-high-purity, medical and analytical applications.

# *Refrigerating Specialties Division*

---

**Parker Hannifin Corporation**  
Refrigerating Specialties Division  
2445 South 25th Avenue  
Broadview, IL 60153-3858  
Tel: (708)-681-6300  
Fax: (708)-681-6306  
Web site: <http://www.parker.com/refspec>

Catalog 611F, 1/00

printed in U.S.A.