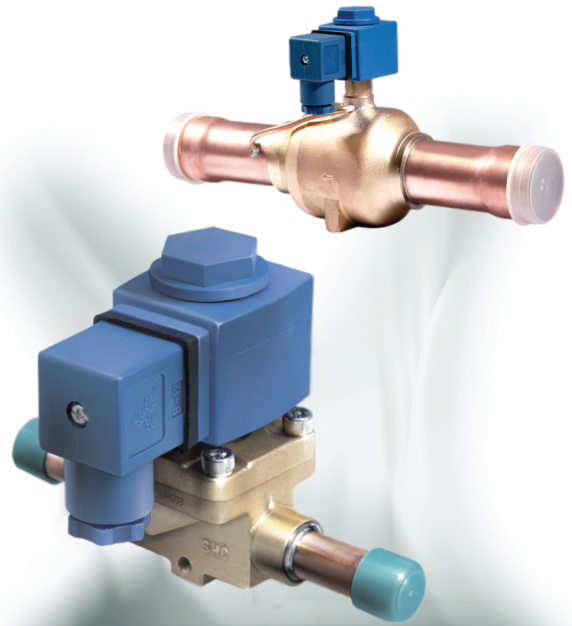




Solenoid Valve

MDF series solenoid valves are direct operated or pilot operated solenoid valves, mainly used in refrigerant control of various devices such as refrigerating and freezing systems, air conditioners and heat pumps.



FEATURES

- COILS: LOW ENERGY CONSUMPTION, RELIABLE
- GREAT VALVE OPENING PERFORMANCE, HIGH MOPD
- COILS ARE DOUBLE SEALED, WATER TIGHT AND SAFE

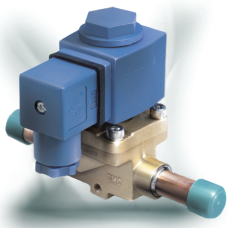
GENERAL SPECIFICATIONS

- Refrigerants: R22, R134a, R407C, R404A, R410A etc.
- Medium temperature: -30°C to +105°C
- Ambient temperature: -30°C to +55°C
- Relative humidity: below 95%

TECHNICAL PARAMETERS

Electrical Parameters of Coil

Model	Rated Voltage [V]	Power [W]	Part number	Frequ. [Hz]	Voltage Tolerance	Insulation Class	Protection Class (w/plug)	Wiring type
MQ-A03024-000001	24 AC	10,5W (50Hz) 8,5W (60Hz)	MDF-60001	50/60	-15% +10%	F	IP65	DIN Plug
MQ-A0311A-000001	110 to 120 AC	12W (50Hz) 10W (60Hz)	MDF-60002					
MQ-A0322G-000001	220 to 240 AC	12W (50Hz) 10W (60Hz)	MDF-60003					

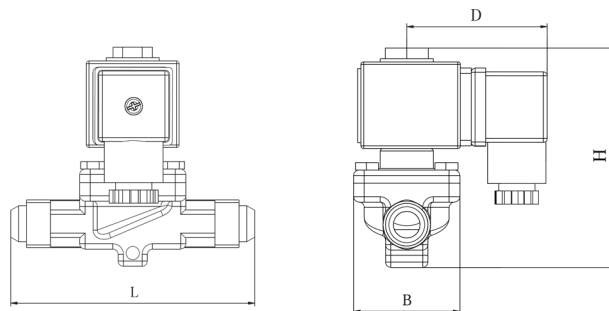


SANHUA MDF SERIES Solenoid Valve

Technical Parameters of Valve Body

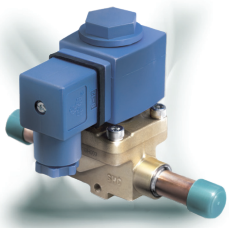
Solder Connection	Thread Connection	Normal position	Actuation	Kv [m ³ /h]	MOP [Mpa]	Max. OPD [Mpa]	Min. OPD [Mpa]
MDF-A03-2H	MDF-A03-2L	NC	Direct	0,16	4,5	3,1	0
MDF-A03-3H	MDF-A03-3L	NC	Direct	0,23	4,5	3,1	0
MDF-A03-6H	MDF-A03-6L	NC	Pilot	0,8	4,5	3,1	0,01
MDF-A03-10H	MDF-A03-10L	NC	Pilot	1,9	4,5	3,1	0,02
MDF-A03-15H	MDF-A03-15L	NC	Pilot	2,6	4,5	3,1	0,02
MDF-A03-20H	--	NC	Pilot	5	4,5	3,1	0,02
MDF-A03-22H	--	NC	Pilot	5,9	4,5	3,1	0,02
MDF-B01-25H	--	NC	Pilot (P)	8,6	4,5	3,1	0,03
MDF-B01-32H	--	NC	Pilot (P)	12,9	4,5	3,1	0,03
MDF-B01-40H	--	NC	Pilot (P)	21,5	4,5	3,1	0,03

DIMENSIONS Valve Body Thread Connection



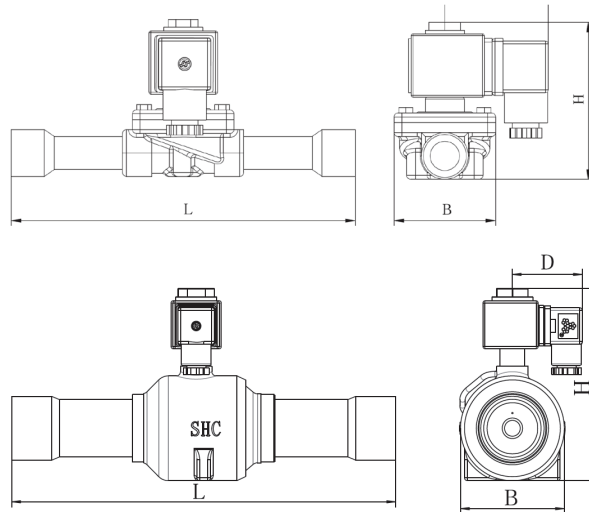
Model	Flare Connection	Part number	Dimensions [mm]			
	[inch]		L	B	D	H
MDF-A03-2L001	1/4	MDF-08039	59	30	53	82
MDF-A03-3L001	1/4	MDF-08040	59	30	53	82
MDF-A03-3L	3/8	MDF-08041	59	30	53	82
MDF-A03-6L001	3/8	MDF-08042	69	36	55	88
MDF-A03-6L	1/2	MDF-08043	69	36	55	88
MDF-A03-10L	1/2	MDF-08044	92	42	53	96
MDF-A03-10L001	5/8	MDF-08045	92	42	53	96
MDF-A03-15L001	5/8	MDF-08046	104	52	53	100
MDF-A03-15L	7/8	MDF-08047	104	52	53	100





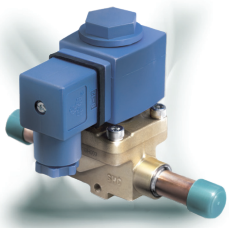
SANHUA MDF SERIES Solenoid Valve

Valve Body Solder Connection



Model	Solder Connection	Part number	Dimensions [mm]			
	[inch]		L	B	D	H
MDF-A03-2H001	1/4	MDF-08001	102	30	55	82
MDF-A03-3H001	1/4	MDF-08002	102	30	55	82
MDF-A03-3H003	3/8	MDF-08003	102	30	55	82
MDF-A03-6H001	3/8	MDF-08004	111	36	55	88
MDF-A03-6H003	1/2	MDF-08005	111	36	55	88
MDF-A03-10H001	1/2	MDF-08006	127	42	55	95
MDF-A03-10H003	5/8	MDF-08007	127	42	55	95
MDF-A03-15H001	5/8	MDF-08008	176	52	55	100
MDF-A03-15H003	7/8	MDF-08009	176	52	55	100
MDF-A03-20H001	7/8	MDF-08010	191	52	55	117
MDF-A03-20H003	1 1/8	MDF-08011	191	52	55	117
MDF-A03-22H001	7/8	MDF-08012	191	60	55	117
MDF-A03-22H003	1 3/8	MDF-08013	191	60	55	117
MDF-B01-25H001	1-1/8	MDF-08014	256	54	53	116
MDF-B01-25H	1-3/8	MDF-08015	256	54	53	116
MDF-B01-32H001	1-3/8	MDF-08016	281	76	53	140
MDF-B01-32H	1-5/8	MDF-08017	281	76	53	140
MDF-B01-40H001	1-5/8	MDF-08018	281	76	53	140
MDF-B01-40H	2-1/8	MDF-08019	281	76	53	140





SANHUA MDF SERIES Solenoid Valve

Valve Body Solder Connection

Model	Solder Connection	Part number	Dimensions [mm]			
	[mm]		L	B	D	H
MDF-A03-2H003	6	MDF-08020	102	30	55	82
MDF-A03-3H005	6	MDF-08021	102	30	55	82
MDF-A03-3H007	10	MDF-08022	102	30	55	82
MDF-A03-6H005	10	MDF-08023	111	36	55	88
MDF-A03-6H007	12	MDF-08024	111	36	55	88
MDF-A03-10H005	12	MDF-08025	127	42	55	95
MDF-A03-10H007	16	MDF-08026	127	42	55	95
MDF-A03-15H005	16	MDF-08027	176	52	55	100
MDF-A03-15H007	22	MDF-08028	176	52	55	100
MDF-A03-20H005	22	MDF-08029	191	52	55	117
MDF-A03-20H007	28	MDF-08030	191	52	55	117
MDF-A03-22H	28	MDF-08031	191	60	55	117
MDF-A03-22H006	35	MDF-08032	191	60	55	117
MDF-B01-25H	28	MDF-08033	256	54	53	116
MDF-B01-25H	35	MDF-08034	256	54	53	116
MDF-B01-32H	35	MDF-08035	281	76	53	140
MDF-B01-32H	42	MDF-08036	281	76	53	140
MDF-B01-40H	42	MDF-08037	281	76	53	140
MDF-B01-40H	54	MDF-08038	281	76	53	140

